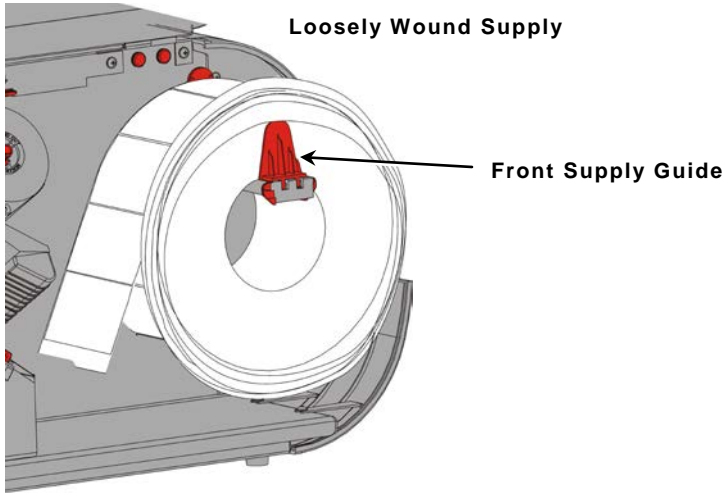


# INSTALLATION GUIDE

The supply extension guide keeps loosely wound or narrow width supplies (1.0", 1.2", or 1.5") in line so the supply tracks properly. The supply extension guide reduces jams by preventing supplies from slipping over the front supply guide.



**Supply Extension Guide**

Slide the extension guide down onto the front supply guide as shown.

