

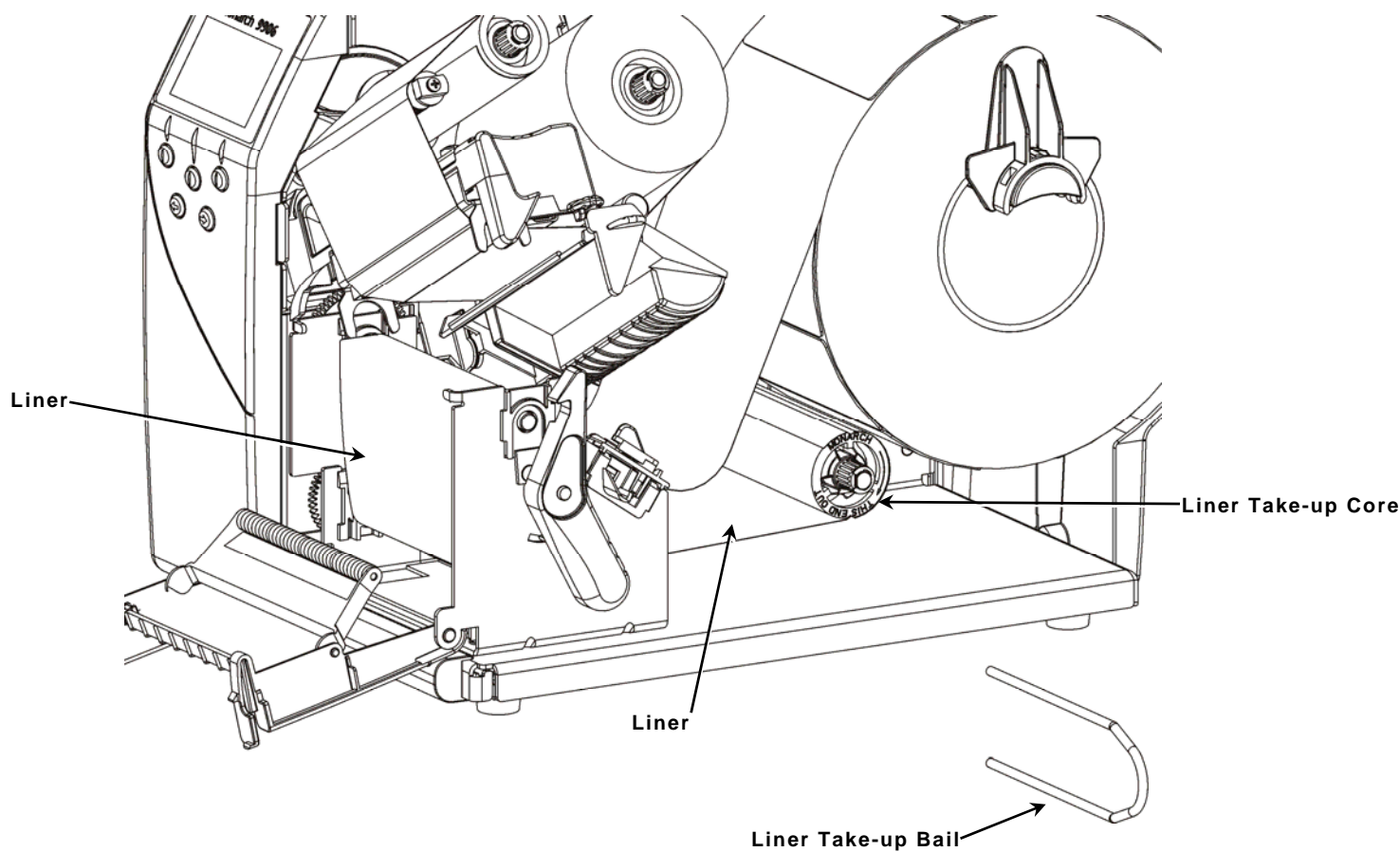
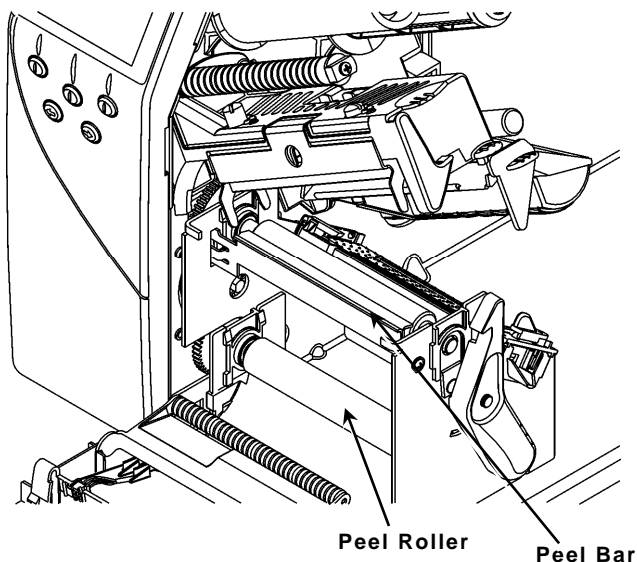
OPERATING INSTRUCTIONS

These instructions are for the Monarch® 9906 printer using the internal liner take-up option.

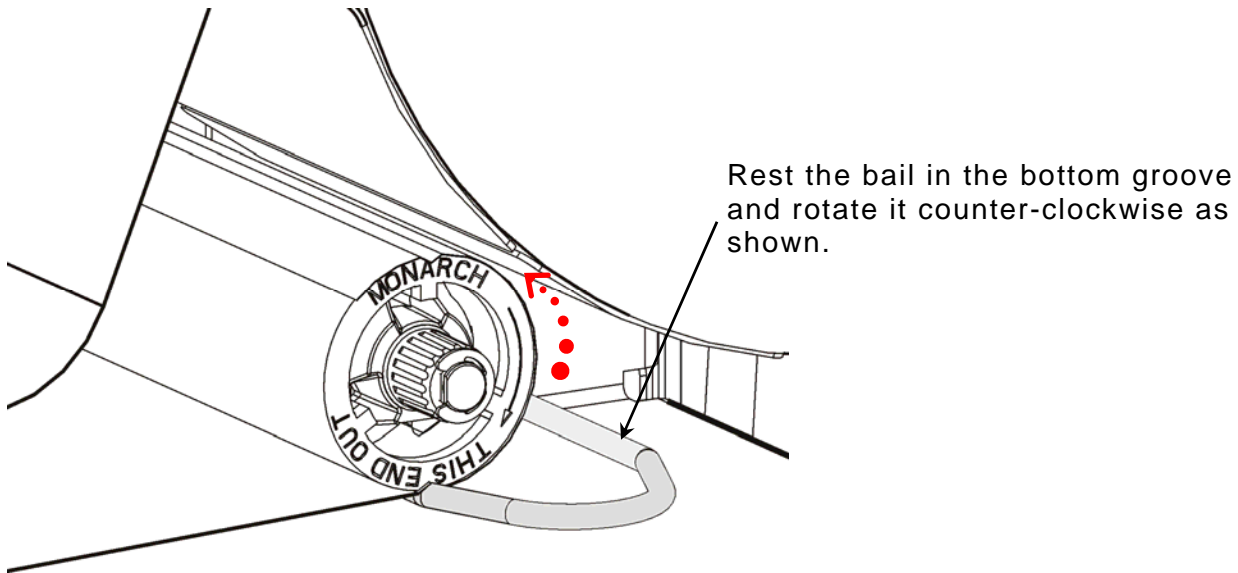
Internal Liner Take-Up

Internal liner take-up collects the liner on a take-up reel located inside the printer's cover. This feature must be used with peel mode. Refer to the *9906 Operator's Handbook* for additional printer information.

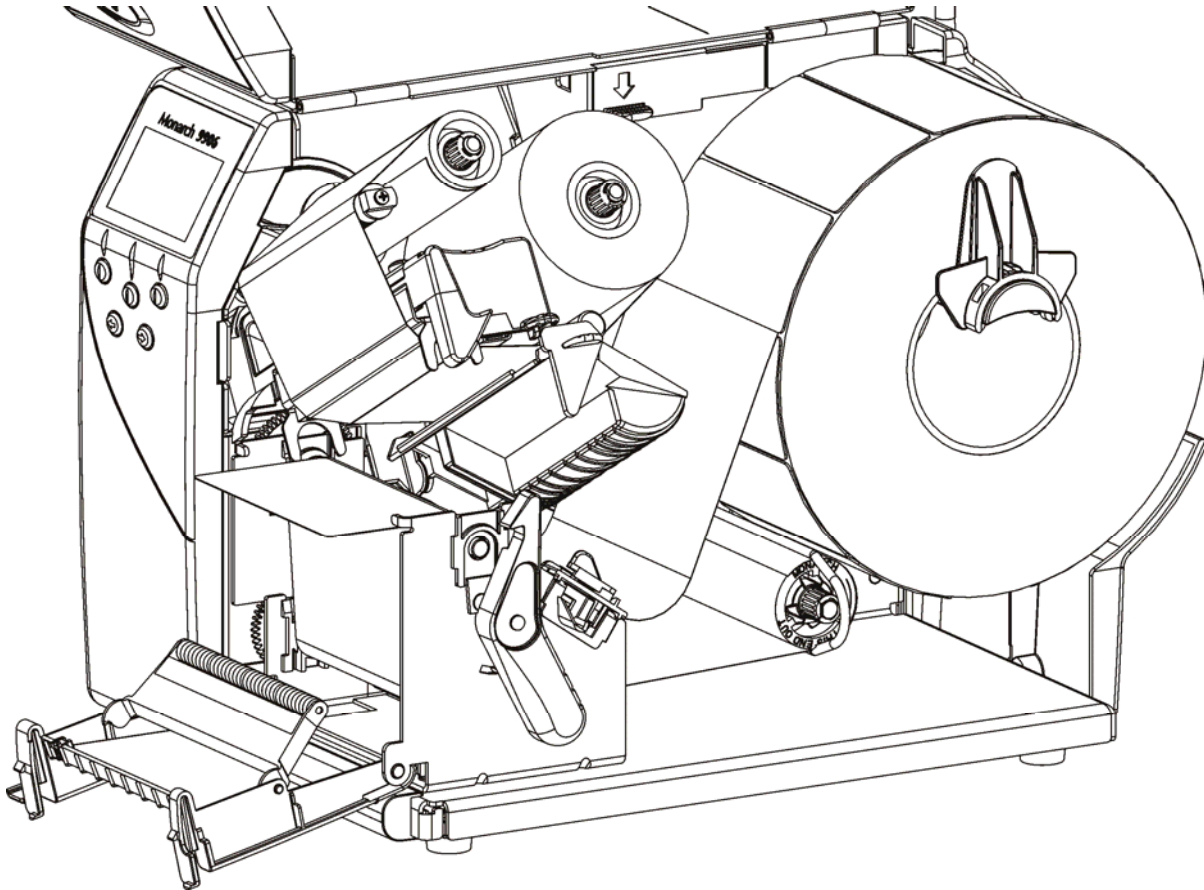
1. Open the cover.
2. Unlock the printhead and lift the printhead assembly until it locks into place.
3. Open the printer's exit cover.
4. Remove the labels from the first 18 inches of the liner.
5. Remove the liner take-up bail.
6. Feed the liner over the peel bar and under the peel roller.
7. Wrap the liner around the liner take-up core in a counter-clockwise direction.



8. Hold the liner while placing one end of the take-up bail in one of the grooves in the take-up core. Gently rotate the bail counter-clockwise until the other end snaps into place in the corresponding groove in the core.



9. Gently slide the bail all the way onto the core.

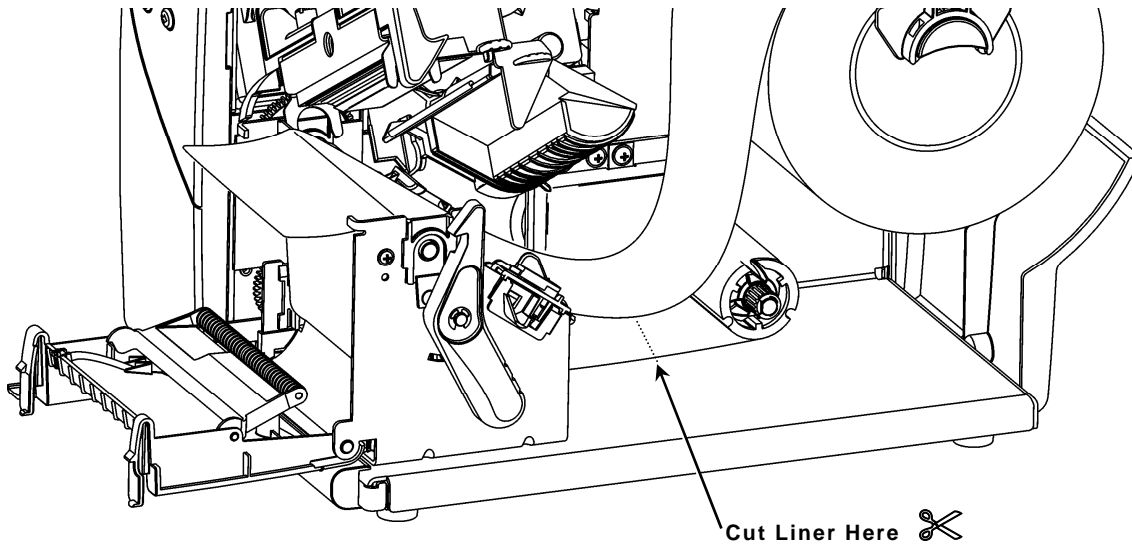


10. Close the printhead assembly until you hear it click in to place.
11. Close the printer's cover.
12. Close the exit cover.
13. Press **FEED** to position the supply under the printhead.

Removing a Full Liner Take-Up Roll

Remove the liner take-up when the printer alerts you of a full roll. The liner take-up reel holds approximately half of a roll of supply.

1. Open the cover.
2. Turn the printhead retaining latch to unlock the printhead assembly.
3. Open the printer's exit cover.
4. Gently pull the liner take-up bail off the liner take-up core.
5. Use scissors to cut the liner in front of the take-up reel.



6. Remove the liner from the take-up core.
7. Reload supply and continue printing.