

QUICK REFERENCE

This *Quick Reference* contains supply loading and general care and maintenance procedures for the Monarch® 9906 printer. For more detailed information, refer to the *Operator's Handbook* available on our Web site (www.monarch.com). For information about creating formats, configuring the printer, or programming the printer, refer to the *Packet Reference Manual* on our Web site.

Review the safety information in the *Regulatory Compliance* document included with your printer. Information in this document supercedes information in previous versions. Check our Web site for the latest documentation and release information.

Connecting the Cables

The power supply automatically switches between 115V and 230V.

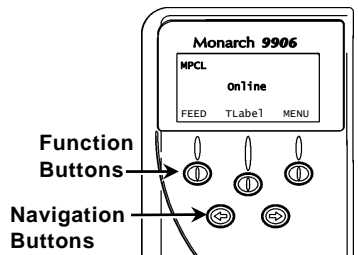
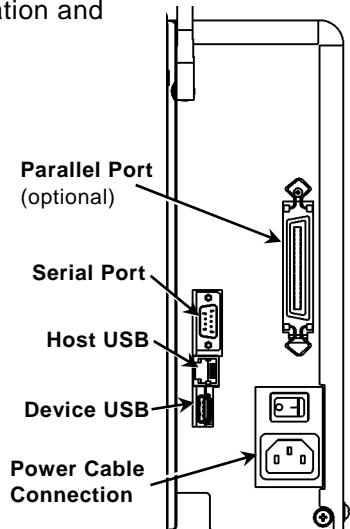
1. Plug the power cable into the socket and the other end into a grounded electrical outlet.
2. Connect the communications cable into the appropriate port.
3. Turn on the printer. Press (I) to turn on and (O) to turn off the printer.

Using the Control Panel

The control panel consists of a four-line LCD display, three function buttons, and two navigation buttons. The function of each button varies depending on the task.

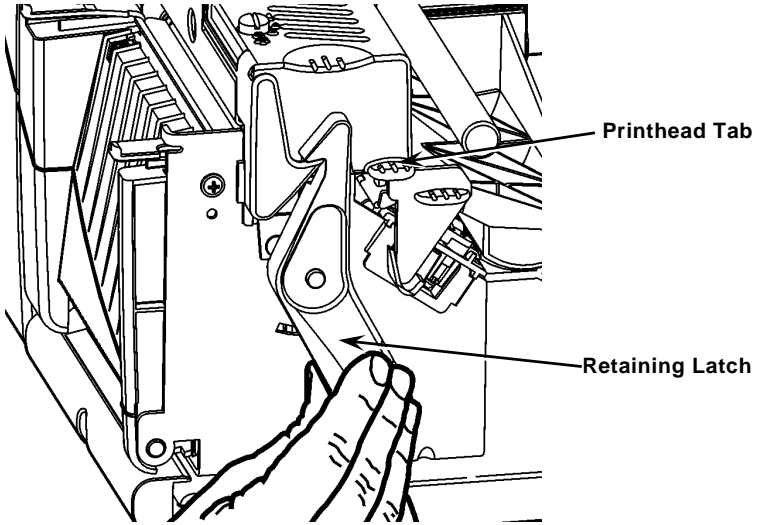
The LCD display:

- ◆ Indicates power when text or other information is shown
- ◆ Indicates conditions requiring immediate attention (low battery, faults, errors) using a red background
- ◆ Shows menu prompts, printer settings, function button assignments, values, etc.

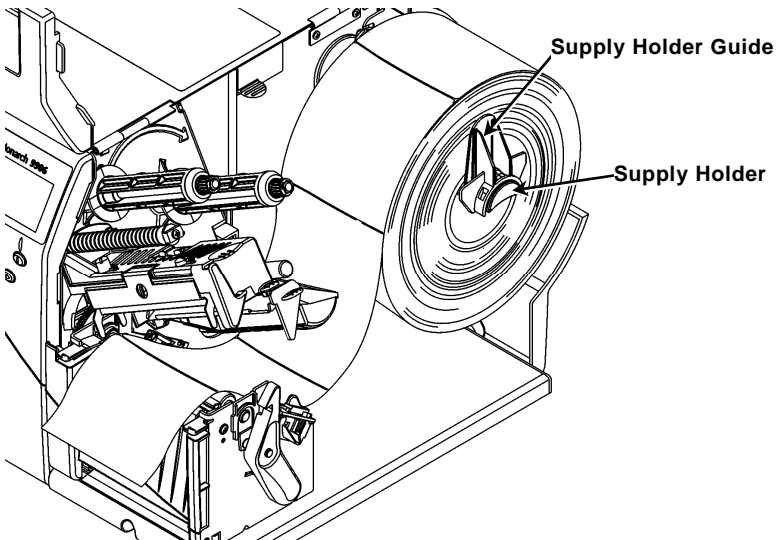


Loading Labels or Tags

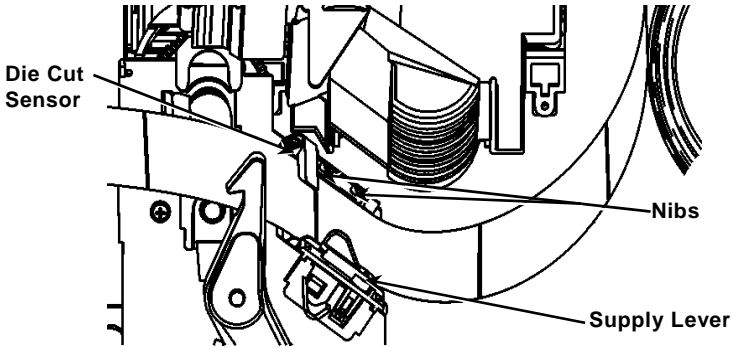
1. Open the cover.
2. Unlock the printhead by turning the retaining latch.



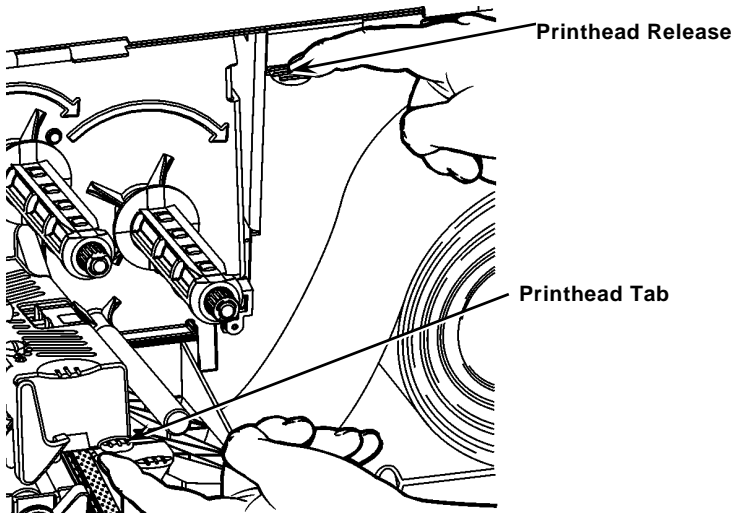
3. Lift the printhead assembly using the printhead tab until the assembly locks into place.
4. Place the roll of supply on the supply holder, located against the inside of the printer.
5. Adjust the supply holder guide so that it barely touches the roll, making sure the supply roll turns freely.



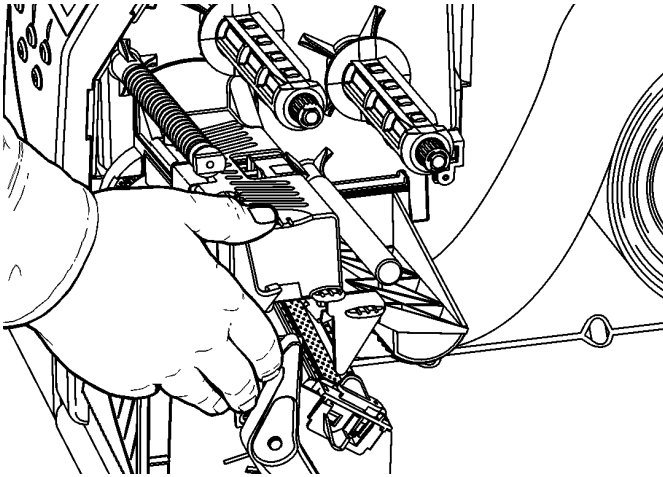
6. Push down on the supply lever to unlock the supply guide.
7. Lay the label strip across the supply guide so that a few inches extend past the front of the printer.
8. Tuck the supply under the nibs and in between the die cut sensor.
9. Adjust the supply guide so that it barely touches the supply. Push up on the supply lever to lock the supply guides into place.



10. Hold the printhead assembly by the printhead tab while pushing the printhead release.



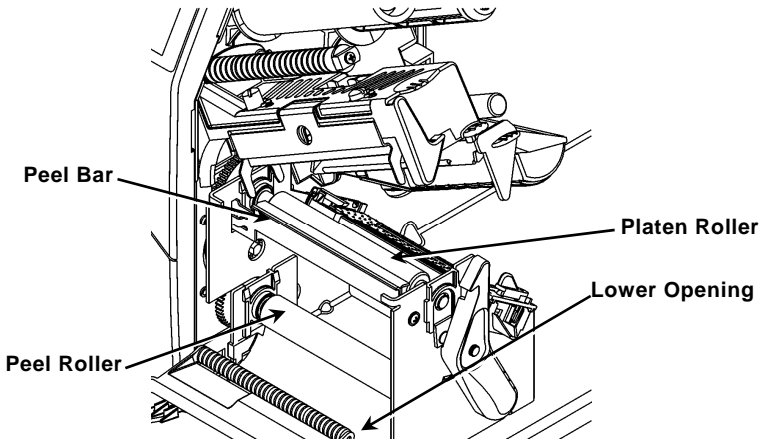
11. Close the printhead by pressing down on the thumb well until you hear it click into place.



12. Close the printer's cover.
13. Press **FEED**.

Loading Labels for the Optional Peel Mode

1. Remove the labels from the first 10 inches of the liner.
2. Press down on the exit cover tabs to open the exit cover.
3. Feed the liner over the peel bar, along the chute, and out through the lower opening in the exit cover.



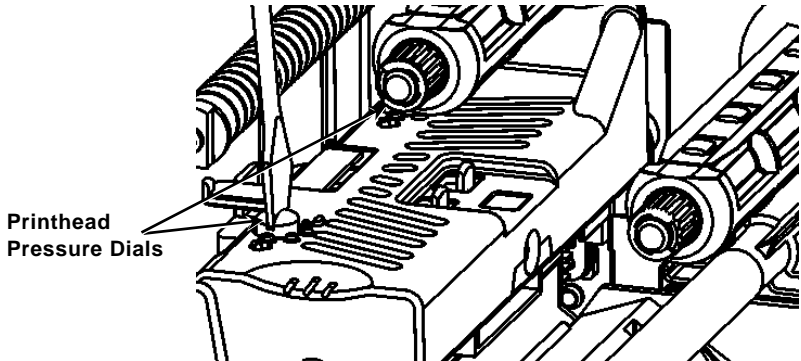
4. Close the exit cover.
5. Close the printer's cover.
6. Press **FEED**.

For additional supply loading options, refer to the *Operator's Handbook*.

Adjusting the Printhead Pressure Dials

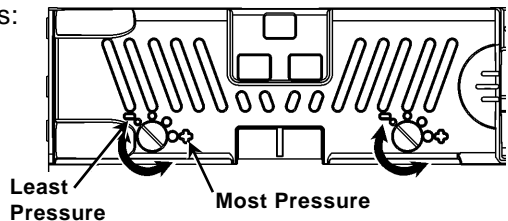
The default setting is least pressure, which provides optimal printing in most cases. If you see smudging, ribbon wrinkling, or poor print quality, you may need to adjust the printhead pressure dials.

The two dials are located on either edge of the printhead assembly (inside and outside). The dials may be set to different positions; however, the inside dial should be equal to or more pressure than the outside dial. When using 4" wide supply both knobs should be set at equal pressure. Use a coin or flathead screwdriver to adjust the dials.



Each dial has four settings:

- ◆ Least pressure
- ◆ Light pressure
- ◆ Medium pressure
- ◆ Most pressure

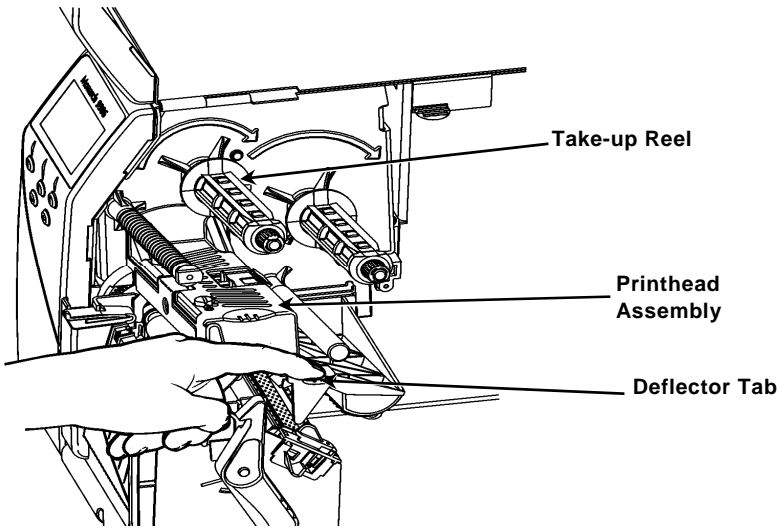


Print a test label to check the printhead pressure; make adjustments as necessary. Refer to the *Operator's Handbook* for additional information.

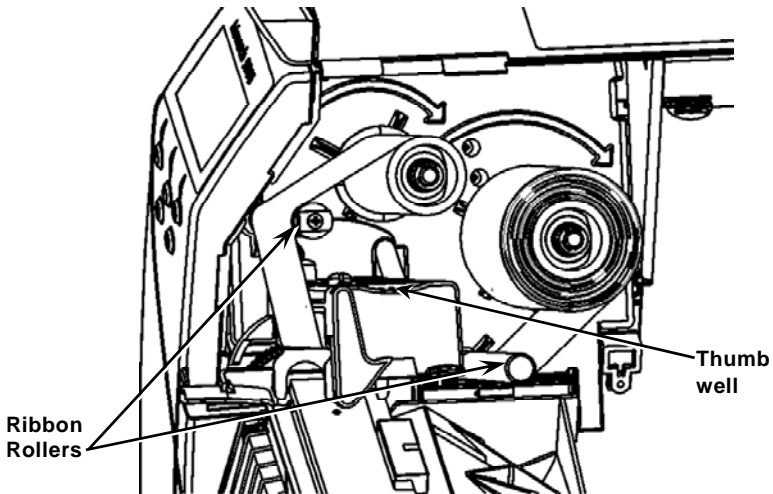
Loading Ribbon

1. Open the cover.
2. Unlock the printhead by turning the printhead retaining latch.
3. Lift the printhead assembly using the printhead tab until the assembly locks into place.

4. Push the deflector tab down.



5. Slide the extra ribbon core onto the take-up reel as far as it will go.
6. Remove the new ribbon from the package.
7. Slide the ribbon all the way onto the back reel. Carefully unwind a few inches from the bottom of the ribbon roll.
8. Feed the ribbon under both ribbon rollers and printhead.



9. Make sure the ribbon is straight and centered throughout the path.
10. Tape the ribbon to the take-up core.
11. Rotate the take-up core until the leader is past the printhead.

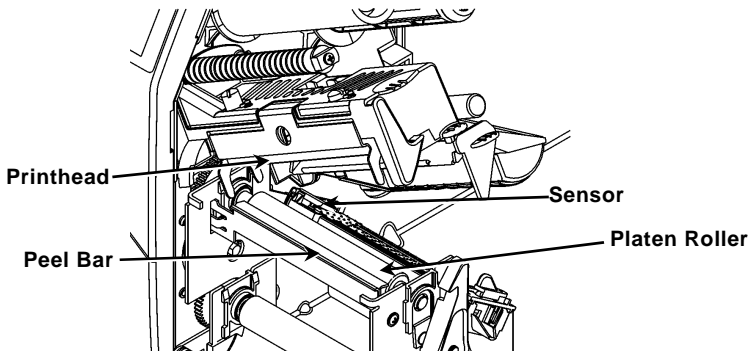
12. Remove any slack in the ribbon by turning the take-up reel clockwise.
13. Hold the printhead assembly by the printhead tab while pressing down on the printhead release.
14. Close the printhead by pressing down on the thumb well until you hear it click into place.
15. Close the printhead. Close the printer's cover.
16. Press **FEED**.

Cleaning

Clean the printhead as described to maintain printhead life.

Caution: Do not use sharp objects to clean the printhead or touch the printhead; this may damage the printhead and require a service charge.

1. Turn off the printer, open the cover and the printhead assembly.
2. Remove the label roll and ribbon (when cleaning the printhead).
3. Press down on the exit cover tabs to open the exit cover.
4. Spray the supply path, including supply sensor, with compressed air to remove dust.
5. Use a CLEAN-STRIP (part number 120350) to clean and remove adhesive build-up from the platen roller, peel bar, sensor, and printhead.



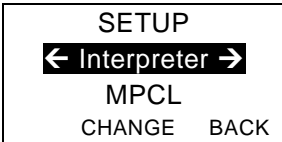
6. Let the printer dry, then reload supplies.
7. Close the exit cover.
8. Close the printhead assembly and the printer's cover.
9. Turn on the printer. Press **FEED**.

Selecting the Interpreter

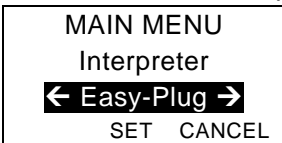
The 9906 printer includes four Interpreter options; MPCL, MLI, WMS XML, and Easy-Plug. For more information about MLI refer to the *MLI Quick Reference*, for more information about WMS XML refer to the *XML Quick Reference*, for more information about Easy-Plug refer to the *Easy-Plug Manual* included on the CD-ROM.

From the Main Menu, select Setup, then:

1. Press ← or → until Interpreter is on the display.



2. Press **CHANGE** then press → until Easy-Plug is on the display.



3. Press **SET** to save the change.
 - ◆ The printer reboots automatically after selecting an interpreter. This process may take several seconds.
 - ◆ When you print test labels with MLI set as the interpreter, the model number appears as **M9906MLI**.
 - ◆ When you print test labels with Easy-Plug set as the interpreter, the model number appears as **M9906EP**.

RFID (if installed)

The 9906 printer with RFID has been engineered to program (encode) an RFID (Radio Frequency Identification) label (commonly called “RFID tags”) before the label’s format is printed. RFID tags contain an embedded RFID inlay (chip and antenna).

RFID is only available using die cut or black mark supplies.

The printer supports Class 1 Generation 2 (C1Gen2) protocol encoding.



RFID supplies can be damaged by static electricity. Ground yourself by touching metal, such as the printer’s metal base, before handling the supplies.

The UHF radio operates in the 902 – 928 MHz frequency range in accordance with FCC Rules and Regulations.

RFID Setup Menu

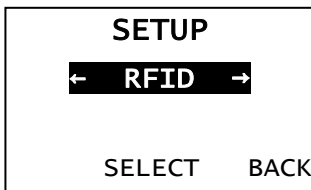
Use the RFID Setup Menu to Read a tag, set the RF Power, and Clear Data.

The Read Tag menu item lets you read the EPC data programmed into an RFID tag.

Refer to the *RFID Web Setup Utility* at

<http://www.servisource1.com/prnutil/rfidsetup> to set the RF Power setting.

The printer stores the number of successful and failed programmed tags. Clear this record using the Clear Data menu item. Depending on your application and volume of labels printed, you may want to clear this data daily or after each batch. To access the RFID settings, from the Main Menu select Setup, then RFID.



If the RFID tag is not programmable for any reason, the label may print with an overstrike pattern, indicating that it should not be used. Your System Administrator should set the desired Error Action accordingly.

If you see RFID errors 740 – 749, see your System Administrator.

Refer to the *Operator’s Handbook* and *Application Notes* for more information.

Troubleshooting

This section lists common problems and their solutions.

Problem	Action
Error message appears during startup	Turn off the printer, wait fifteen seconds and then turn on the printer. Call Customer Service if the error message reappears.
Does not print.	Check supply and ribbon, send a corrected format and batch packet.
Does not feed.	Adjust the printhead pressure dials.
Partially printed data.	Clean the printhead, send a corrected format packet.
Light/Heavy printing, printing shadows or voids.	Clean the printhead, change supply, adjust the print contrast, check the printhead pressure dials, check the ribbon.
Serial bar codes do not scan.	Leave printhead unlatched when not in use, use a print speed of 2.5 ips, adjust the print contrast.
Liner is wrapped around platen or peel roller.	Carefully remove the liner. Make sure the liner tears at the saw-toothed tear edge when using backfeed and peel mode.
Printer does not read or program the RFID tag.	See your System Administrator

Common Errors

Error	Description/Action
-------	--------------------

002	Name must be 1 to 8 characters inside quotes.
005	Invalid supply width.
018	Invalid code page selection.
025	Data length is too long.
101	Format referenced by batch not in memory.
400	Invalid character following {.
403	Field separator was not found.
409	Printer memory is full. Delete unused items.
410	Parity mismatch.
411	Framing error (baud rate mismatch).
412	Flow control mismatch.
413	Online receive buffer is full. Check flow control.
611	Font, bar code, or density in the batch does not fit the format.
612	Data in this line of the batch is missing or doesn't match format.
613	Reference point off supply.
614	Portion of field off supply or invalid character in the packet.
703	Printer sensed a calibration of different-sized black marks. Make sure the correct supply type is loaded.
704	Printer has not sensed a supply mark when expected or is out of supplies. Make sure your printer is set to the appropriate supply type. Reload supply. Clean the sensor.
751	Printer did not sense a black mark when expected. Press ESCAPE to continue printing. Change supply.
752	Printer sensed a mark in the wrong place.
753	Printer sensed a mark that is too long.
754	Check for a ribbon jam or remove any slack in the ribbon. Load a new ribbon.
755	Printhead is open. Close the printhead.
756	Load supply and/or clean the sensor.
757	Load supply (supply length mismatch). Press FEED .
758	Supply is not seen, on-demand sensor is broken, or a label was removed too quickly. Check for a label jam or reload supplies.
763	Waiting to dispense label. Press FEED .
765	Printhead has less than 8 bad dots and can shift bar code fields to avoid bad dots. Press ESCAPE to continue printing.
768	Printhead has more than 8 bad dots or is not connected. Connect or replace the printhead.

RFID Errors

See the *RFID Application Notes* for more information. Check with your System Administrator about the format. The printer does **not** recalibrate (feed a blank label) after an RFID error.

Error	Description/Action
052	Data type in the RFID Data Field is invalid.
053	The starting block in the RFID Data Field is invalid.
226	Rule Record Line xx. Upload device is invalid.
228	Memory class identifier is invalid.
229	Byte code is invalid.
230	Lock code is invalid.
715	Invalid data length/data mismatch in the RFID Data Field. This error also occurs when there is an error in the Expanded C1Gen2 fields.
732	RFID Hardware Error. A non-RFID printer received a format containing an RFID Data Field.
740	Command, hardware, or memory allocation error.
741	RFID tag missing - not found in the area inside the printer where the RFID tag is programmed. Check supply loading. Make sure the RFID tag was not moved out of the programmable range.
742	Tag erase failed. The RFID tag was found in the RF Field, but could not be erased.
743	Program tag failed. The RFID tag was found in the RF Field, but could not be programmed.
744	Tag locked fail. The RFID tag is unable to be programmed because it is already locked.
746	Lock tag fail. The RFID tag has not been locked to prevent reprogramming.
747	Time out failure. An RFID command (read, program, etc.) has failed to complete in the maximum amount of allowed time.
748	Invalid data length/data mismatch from RFID interrogator module.
749	RFID Verify Fail. The RFID verification process failed after writing (programming) tag.

KORT OVERSIGT

Denne *korte oversigt* beskriver, hvordan der fyldes medie på Monarch® 9906-printeren, og hvordan den vedligeholdes. Der er mere detaljerede oplysninger i *Operator's Handbook*, som du finder på vores websted (www.monarch.com). Oplysninger om at oprette formater og konfigurere eller programmere printeren finder du i *Packet Reference Manual* på vores websted.

Gennemgå sikkerhedsoplysningerne i dokumentet *Regulatory Compliance*, som følger med printeren. Oplysningerne i dette dokument erstatter oplysningerne i tidligere versioner. Tjek vores websted for ny dokumentation og oplysninger om nye versioner.

Tilslutning af kablerne

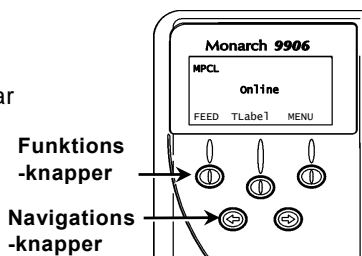
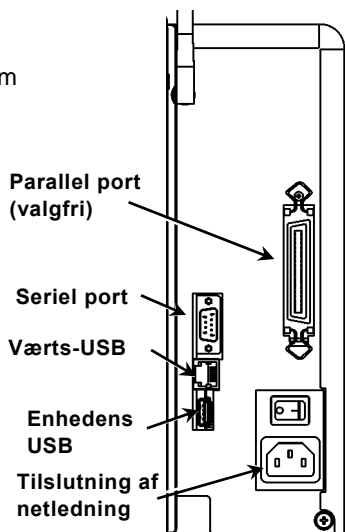
Strømforsyningen skifter automatisk mellem 115V og 230V.

1. Sæt netledningen i stikket og i en jordforbundet stikkontakt.
2. Sæt kommunikationskablet i den tilhørende port.
3. Tænd printeren. Tryk på (I) for at tænde og på (O) for at slukke printeren.

Brug af betjeningspanelet

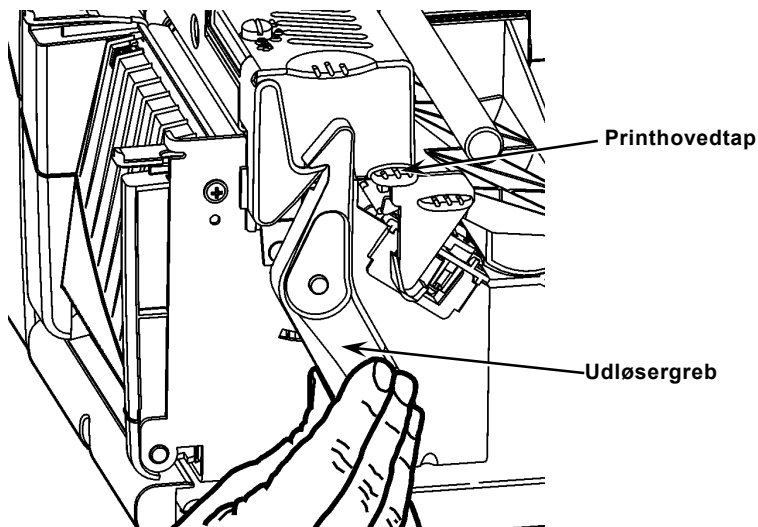
Betjeningspanelet består af et LCD-display med fire linjer, tre funktions-knapper og to navigationsknapper. De enkelte knappers funktion varierer afhængigt af opgaven. Displayet:

- ◆ Tænder, når der er tekst eller andre oplysninger, der skal vises
- ◆ Viser tilstande, der kræver umiddelbar indgriben (opbrugt batteri, fejl), på rød baggrund
- ◆ Viser menuprompter, printerindstillinger, tildeling af funktionsknapper, værdier m.m.

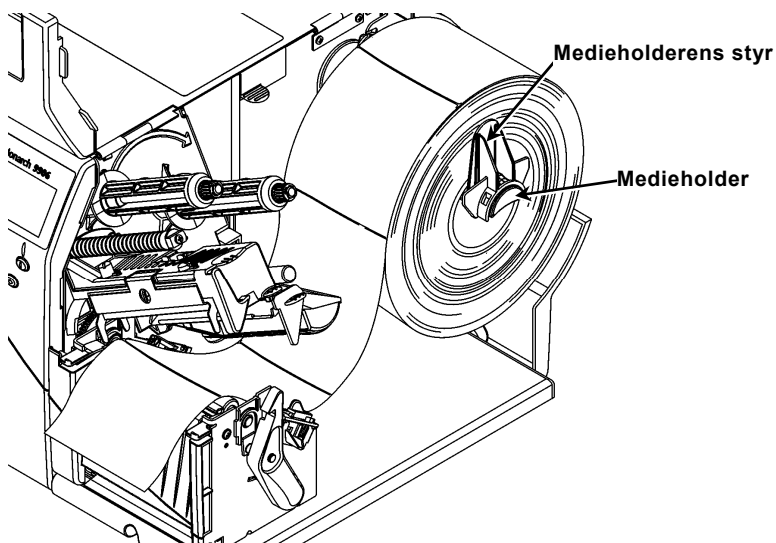


Isætning af etiketter eller tags

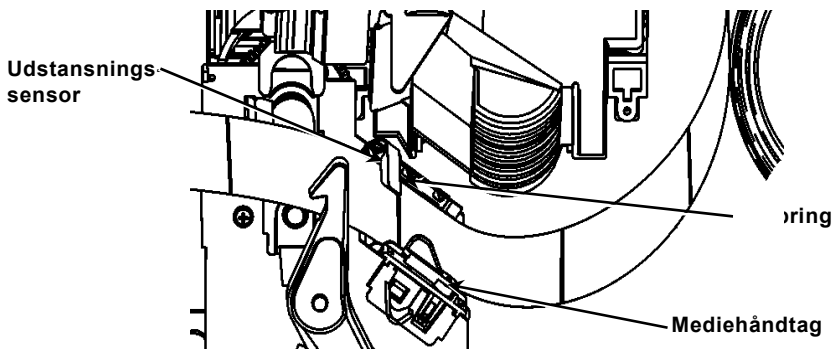
1. Åbn dækslet.
2. Frigør printheadet ved at dreje på udløsergrebet.



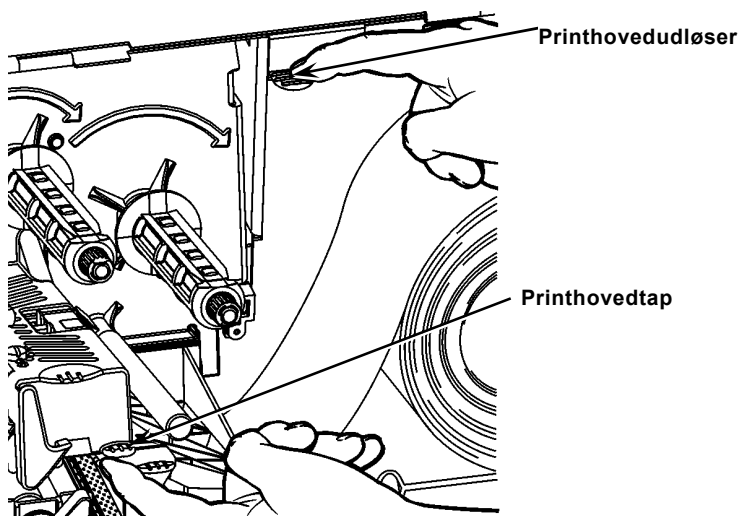
3. Løft printheadanordningen vha. printheadtappen, indtil hele anordningen låses på plads.
4. Anbring medierullen i medieholderen, som er placeret langs indersiden af printerens.
5. Juster medieholderens styr, så det lige akkurat berører rullen, men vær opmærksom på, at rullen skal kunne dreje ubesværet.



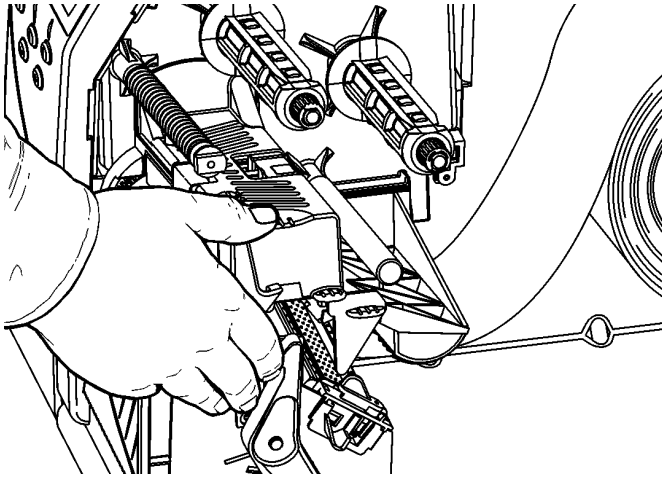
6. Tryk mediehåndtaget ned for at frigøre mediestyret.
7. Anbring etiketstrimlen over mediestyret, så ca. 5 cm er synlig på printerens forside.
8. Anbring mediet under udspringene og mellem udstansningssensoren.
9. Juster mediestyret, så det kun lige akkurat berører mediet. Skub mediehåndtaget op for at låse mediestyrene på plads.



10. Hold i printhovedtappen på printhovedanordningen, mens du trykker på printhovedudløseren.



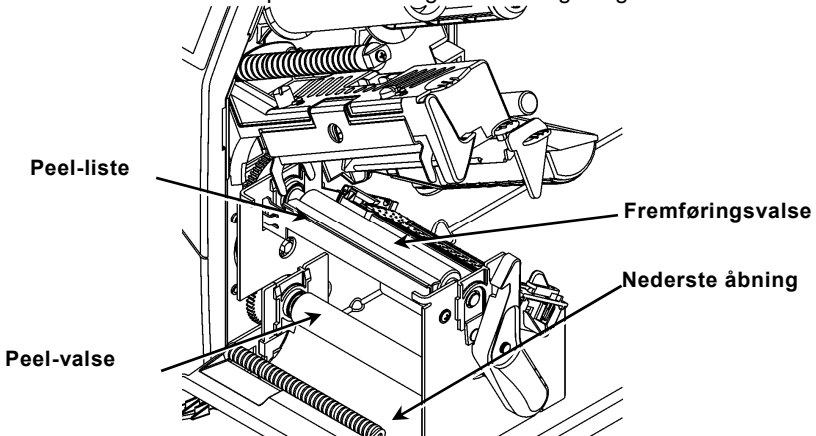
11. Luk printhovedet ved at trykke på fordybningen til tommelfingeren, indtil du kan høre, at det klikker på plads.



12. Luk printerens dæksel.
13. Tryk på **FEED** (Fremfør).

Isætning af etiketter til den valgfri peel-tilstand

1. Fjern etiketterne på de første 25 cm af bærebanelen.
2. Tryk på udføringsdækslets tapper for at åbne udføringsdækslet.
3. Før bærebanelen over peel-listen langs slisken og ud gennem den



udføringsdækslets nederste åbning.

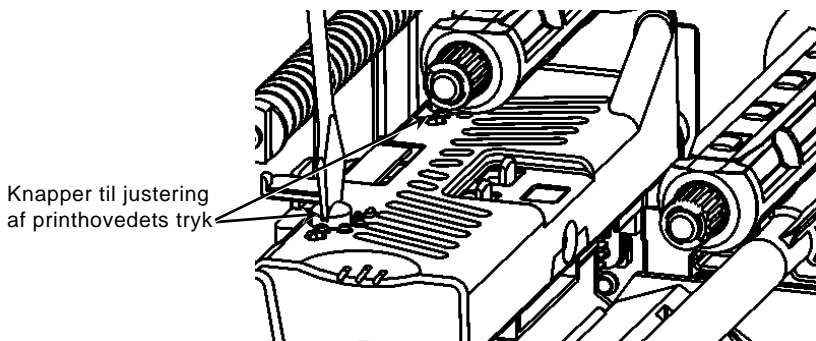
4. Luk udføringsdækslet.
5. Luk printerens dæksel.
6. Tryk på **FEED** (Fremfør).

Der er flere oplysninger om isætning af medie i *Operator's Handbook*.

Justering af printhovedets tryk

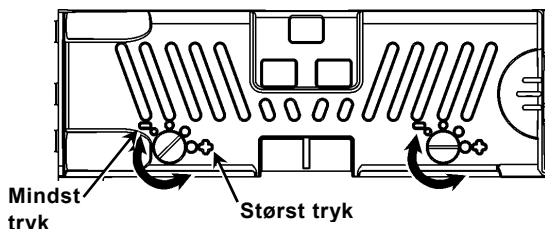
Standardindstillingen er så lille et tryk som muligt, hvilket i de fleste tilfælde giver optimal udskrivning. Det kan være nødvendigt at justere printhovedets tryk i tilfælde af udtværing, rynket farvebånd eller dårlig udskriftskvalitet.

De to knapper er placeret på printhovedets kant (ind- og udvendigt). Knapperne kan have forskellige positioner; men trykket skal på indersiden være lig med eller større end på ydersiden. Hvis der anvendes et medie, der er 4" bredt, skal begge knapper indstilles til samme tryk. Brug en mønt eller en fladbladet skruetrækker til justering af trykket.



Hver knap har fire indstillinger.

- ◆ Mindst tryk
- ◆ Let tryk
- ◆ Medium tryk
- ◆ Størst tryk

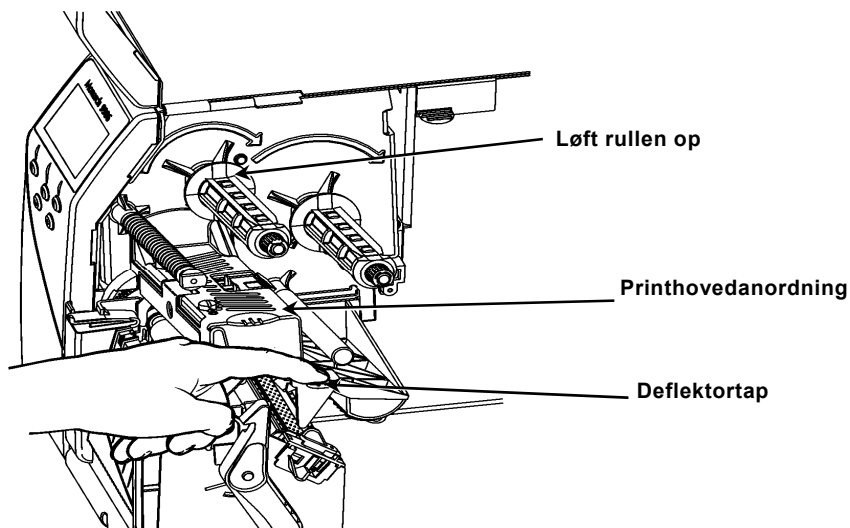


Udskriv en testetiket for at kontrollere printhovedets tryk. Foretag justeringer, hvis det er nødvendigt. Du finder yderligere oplysninger i *Operator's Handbook*.

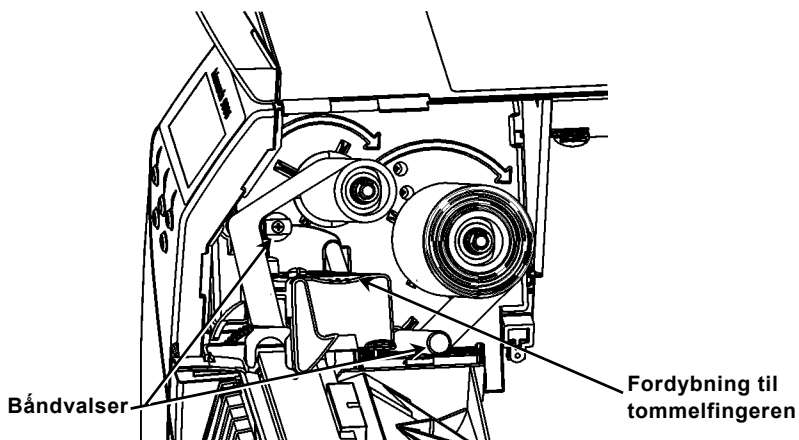
Isætning af bånd

1. Åbn dækslet.
2. Frigør printhovedet ved at dreje printhovedets udløsergreb.
3. Løft printhovedanordningen vha. printhovedtappen, indtil hele anordningen låses på plads.

4. Tryk deflektortappen ned.



5. Skub den ekstra båndkerne så langt som muligt over på optagningsrullen.
6. Tag det nye bånd ud af emballagen.
7. Skub båndet helt over på den bageste rulle. Rul forsigtigt ca. 5 cm af i bunden af båndrullen.
8. Før forsigtigt båndet under de to båndvalser og printhovedet.



9. Sørg for, at båndet er lige og centreret langs hele banen.
10. Sæt båndet fast på optagningskernen med tape.
11. Drej optagningskernen, indtil indløbsstrimlen har passeret printhovedet.
12. Fjern eventuelt slæk på båndet ved at dreje optagningsrullen med uret.

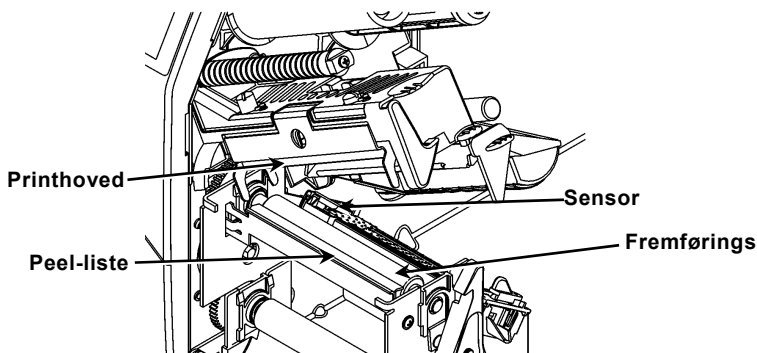
13. Hold i printhovedtappen på printhovedanordningen, mens du trykker på printhovedudløseren.
14. Tryk på fordybningen til tommelfingeren, indtil du hører, at det klikker på plads, for at lukke printhovedet.
15. Luk printhovedet. Luk printerens dæksel.
16. Tryk på **FEED** (Fremfør).

Rengøring

Du **skal** rengøre printhovedet som beskrevet, for at det kan holde længe.

Forsigtig: brug ikke skarpe genstande til rengøring af printhovedet, og rør ikke ved printhovedet. Det kan beskadige printhovedet, så en servicetekniker skal udskifte det.

1. Sluk printeren, og åbn dækslet og printhovedanordningen.
2. Fjern etiketrullen og båndet (mens printhovedet rengøres).
3. Tryk på udføringsdækslets tapper for at åbne udføringsdækslet.
4. Brug trykluft til at fjerne støv og smuds fra sensoren.
5. Brug en CLEAN-STRIP (varenummer 120350) til rengøring og til at fjerne klæbestof, som har sat sig fast på fremføringsvalsen, peel-listen og printhovedet.



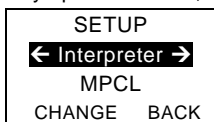
6. Lad printeren tørre, før du sætter bånd og medie i igen.
7. Luk udføringsdækslet.
8. Luk printhovedanordningen og printerens dæksel.
9. Tænd printeren. Tryk på **FEED** (Fremfør).

Valg af fortolker

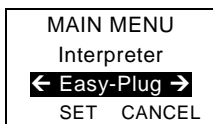
9906-printeren har fire fortolkere: MPCL, MLI, WMS XML og Easy-Plug. Der er flere oplysninger om MLI i *MLI Quick Reference*, om WMS XML i *XML Quick Reference* og om Easy-Plug i *Easy-Plug Manual*, som medfølger på cd-rom.

Vælg Setup i hovedmenuen, og:

1. Tryk på ← eller →, indtil Interpreter vises på displayet.



- Tryk på **CHANGE** og derefter på →, indtil Easy-Plug vises på displayet.



- Tryk på **SET** for at gemme ændringen.
 - ♦ Printeren genstarter automatisk, når der er valgt fortolker. Det kan tage flere sekunder.
 - ♦ Modelnummeret vises som **M9906MLI**, når der udskrives testetiketter med MLI valgt som fortolker.
 - ♦ Modelnummeret vises som **M9906EP**, når der udskrives testetiketter med Easy-Plug valgt som fortolker.

RFID (hvis installeret)

9906-printeren med RFID er udviklet til at kode en RFID-etiket (Radio Frequency Identification) (i daglig tale kaldet en "RFID-tag") inden udskrivning af etikettens format. RFID-tags indeholder et integreret RFID-mønster (chip og antenne).

RFID er kun tilgængelig, når der anvendes udstandsede forbrugsstoffer eller forbrugsstoffer med sort mærke.

Printeren understøtter 2. generation klasse 1-protokolkodning (C1Gen2).



RFID-forbrugsstoffer kan beskadiges af statisk elektricitet. Sørg for jordforbindelse, f.eks. ved at berøre metal (printerens metalbund), inden håndtering af forbrugsstofferne.

UHF-radioen fungerer på frekvensområdet 902 – 928 MHz i overensstemmelse med FCC-reglerne og -bestemmelserne.

Menu til opsætning af RFID

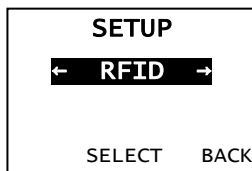
Brug menuen RFID Setup (Opsætning af RFID) til at læse en tag, indstille HF-effekten og slette data.

Via menupunktet Read Tag (Læs tag) kan du læse EPC-data programmeret på en RFID-tag.

Se *RFID Web Setup Utility* på <http://www.servisource1.com/prnutil/rfidsetup> for at få HF-effekten vist.

Printeren indeholder et antal fungerende og ikke-fungerende programmerede tags. Slet dem vha. menupunktet Clear Data (Slet data). Det kan være nødvendigt at slette disse dagligt eller efter hvert parti afhængigt af formålet med og mængden af etiketter, der udskrives.

Vælg Setup (Opsætning) i hovedmenuen og derefter RFID for at få adgang til RFID-indstillingerne.



Hvis RFID-taggen af en eller anden årsag ikke kan programmeres, overskrives etiketten muligvis med et stregmønster for at vise, at den ikke skal anvendes.

Systemadministratoren kan angive, hvad der skal ske i tilfælde af fejl.

Kontakt systemadministratoren, hvis RFID-fejl 740 – 749 vises.

Se *Operator's Handbook* og *Application Notes* for at få flere oplysninger.

Fejlfinding

I dette afsnit beskrives de oftest forekommende problemer, og hvordan de løses.

Problem	Handling
Der vises en fejlmeddelelse ved start.	Sluk printeren, vent 15 sekunder, og tænd derefter printeren. Kontakt kundeservice, hvis fejlmeddelelsen vises igen.
Printer ikke.	Kontroller mediet og båndet, send en batchpakke i det rette format.
Fremfører ikke medie.	Juster printhovedets trykskiver.
Data udskrives kun delvist.	Rens printhovedet. Send en pakke i korrekt format.
Lys/mørk udskrift, skygger eller blanke områder.	Rengør printhovedet, skift medie, juster kontrasten, kontroller printhovedets trykskiver, tjek farvebåndet.
Serielle stregkoder scannes ikke.	Frigør printhovedet, når det ikke bruges, vælg en udskrivningshastighed på 2,5 ips, juster kontrasten.
Bærebåndet er viklet rundt om fremførings- eller peel-valsens.	Fjern forsigtigt bærebåndet. Sørg for, at bærebåndet rives af ved den savtakkede kant, hvis der anvendes bagudføring og peel-tilstand.
Printeren læser eller programmerer ikke RFID-taggen.	Kontakt systemadministratoren.

Ofte forekommende fejl

Fejl	Beskrivelse/handling
002	Navnet skal bestå af 1 til 8 tegn i anførselstegn.
005	Ugyldig mediebredde.
018	Ugyldigt valg af tegntabel.
025	Datalængden er for lang.
101	Formatet i partiet er ikke i hukommelsen.
400	Ugyldigt tegn efter {.
403	Feltseparatoren blev ikke fundet.
409	Printerens hukommelse er fyldt. Slet elementer, der ikke anvendes.
410	Uoverensstemmende pariteter.
411	Rammefejl (uoverensstemmelse i baud-hastigheden).
412	Uoverensstemmelse i flowstyringen.
413	Onlinemodtagebufferen er fyldt. Tjek flowstyringen.
611	Partiets skrifttype, strekkode eller tæthed passer ikke til formatet.
612	Data på denne linje i partiet mangler eller passer ikke til formatet.
613	Referencepunktet er uden for mediet.
614	En del af feltet er uden for mediet, eller der er ugyldige tegn i pakken.
703	Printeren registrerede en kalibrering af sorte markeringer i en anden størrelse. Kontroller, at den rigtige medietype er isat.
704	Printeren har ikke registreret mediemarkeringen som forventet eller er løbet tør for medie. Kontroller, at printeren er indstillet til den rigtige medietype. Eller isaet medie. Rengør sensoren.
751	Printeren registrerede ikke en sort markering som forventet. Tryk på ESCAPE (Afslut) for at fortsætte udskrivningen. Skift medie.
752	Printeren registrerede en markering det forkerte sted.
753	Printeren registrerede en for lang markering.
754	Kontroller, om der er problemer med båndet, eller fjern eventuelt slæk på båndet. Isæt et nyt bånd.
755	Printhovedet er åbent. Luk printhovedet.
756	Isæt medie og/eller rengør sensoren.
757	Isæt medie (uoverensstemmende medielængde). Tryk på FEED (Fremfør).
758	Mediet kan ikke ses, fremføringssensoren er i stykker, eller en etiket blev fjernet for hurtigt. Kontroller, om etiketter har sat sig fast, eller isæt medie.
763	Venter på at sende en etiket ud. Tryk på FEED (Fremfør).
765	Printhovedet har færre end otte dårlige punkter og kan forskyde strekkodefelter for at undgå de dårlige punkter. Tryk på ESCAPE (Afslut) for at fortsætte udskrivningen.
768	Printhovedet har flere end otte dårlige punkter eller er ikke tilsluttet. Tilslut eller udskift printhovedet.

RFID-fejl

Se *RFID Application Notes* for at få flere oplysninger. Kontakt systemadministratoren vedrørende formatet. Printerens genkalibrerer **ikke** (fremfører en tom etiket) efter en RFID-fejl.

Fejl	Beskrivelse/handling
052	Datatyphen i RFID-datafeltet er ugyldig.
053	Startblokken i RFID-datafeltet er ugyldig.
226	Regelpostlinje xx. Enheden, der overføres til, er ugyldig.
228	Ugyldigt id for hukommelsesklasse.
229	Ugyldig bytekode.
230	Ugyldig låsekode.
715	Ugyldig datalængde/datauoverensstemmelse i RFID-datafeltet. Denne fejl opstår, hvis der er en fejl i de udvidede C1Gen2-felter.
732	RFID-hardwarefejl. En ikke-RFID-printer modtog et format, der indeholder et RFID-datafelt.
740	Kommando-, hardware- eller hukommelsestildelingsfejl.
741	RFID-tag mangler – blev ikke fundet i området i printerens, hvor RFID-taggen er programmeret. Kontroller det isatte medie. Kontroller, at RFID-taggen ikke er flyttet uden for det programmerbare område.
742	Sletning af tag mislykkedes. RFID-taggen blev fundet i HF-feltet, men kunne ikke slettes.
743	Programmering af tag mislykkedes. RFID-taggen blev fundet i HF-feltet, men kunne ikke programmeres.
744	Fejl pga. låst tag. RFID-taggen kunne ikke programmeres, fordi den allerede er låst.
746	Fejl ved låsning af tag. RFID-taggen er ikke låst, så omprogrammering ikke kan foretages.
747	Timeoutfejl. En RFID-kommando (læsning, programmering, osv.) kunne ikke udføres inden for det maksimalt tilladte tidsrum.
748	Ugyldig datalængde/datauoverensstemmelse fra RFID-kontrolmodulet.
749	RFID-verificeringen mislykkedes. RFID-verificeringsprocessen mislykkedes efter skrivning af en tag (programmering).

BEKNOPTE HANDLEIDING

Deze *Beknopte handleiding* bevat instructies voor het laden van rollen en algemene verzorgings- en onderhoudsprocedures voor de Monarch® 9906 printer. Raadpleeg voor uitgebreidere informatie de *Bedieningshandleiding* op onze website (www.monarch.com). Raadpleeg voor informatie over het creëren van opmaken, het configureren van de printer of het programmeren van de printer de *Packet Reference Manual* op onze website.

Lees de veiligheidsinformatie in het document *Naleving van wettelijke voorschriften* dat bijgeleverd is bij deze printer. De informatie in dit document vervangt de informatie in eerdere versies. Ga naar onze website voor de nieuwste documentatie en informatie over uitgaves.

Aansluiten van de kabels

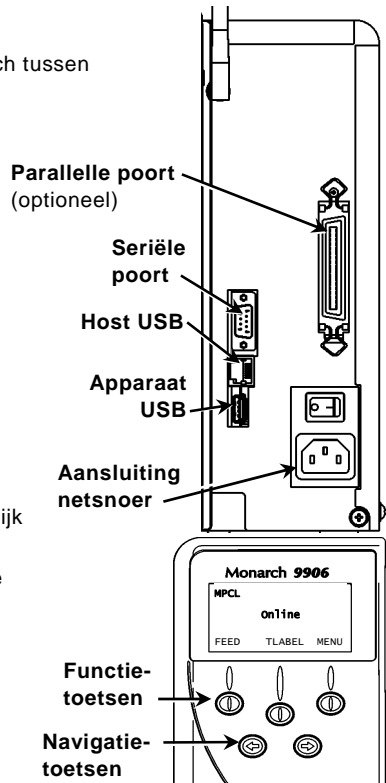
De elektrische voeding schakelt automatisch tussen 115 V en 230 V.

1. Steek het netsnoer in de aansluiting en het andere uiteinde in een geaard stopcontact.
2. Steek de communicatiekabel in de daarvoor bestemde poort.
3. Zet de printer aan. Druk op (I) om de printer aan te zetten en druk op (O) om hem uit te zetten.

Gebruik van het bedieningspaneel

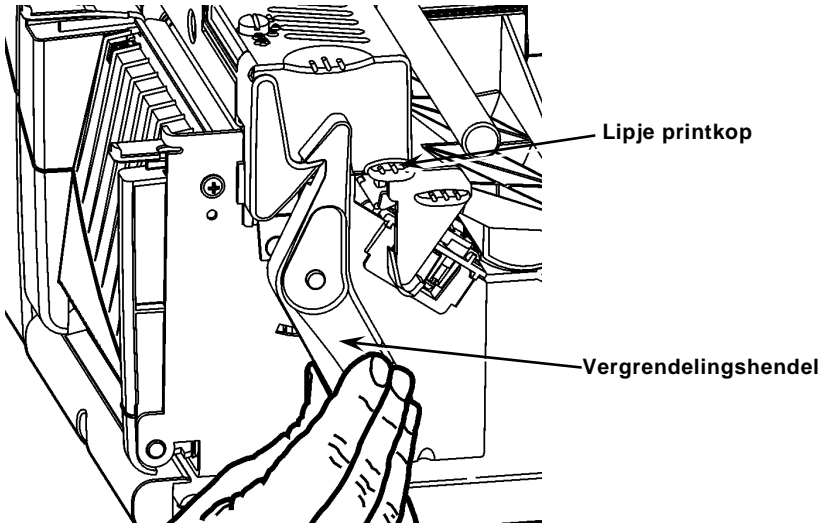
Het bedieningspaneel bestaat uit een vierregelig LCD-scherm, drie functietoetsen en twee navigatietoetsen. De functie van de toetsen varieert afhankelijk van de taak. Het LCD-scherm:

- ◆ Ontvangt stroom als er tekst of andere informatie wordt weergegeven.
- ◆ Wijst op condities die onmiddellijk gecontroleerd moeten worden (batterij bijna leeg, storingen, fouten); in dit geval is de achtergrond rood.
- ◆ Geeft menuprompts, printerinstellingen, functies van de functietoetsen, waarden etc. weer.

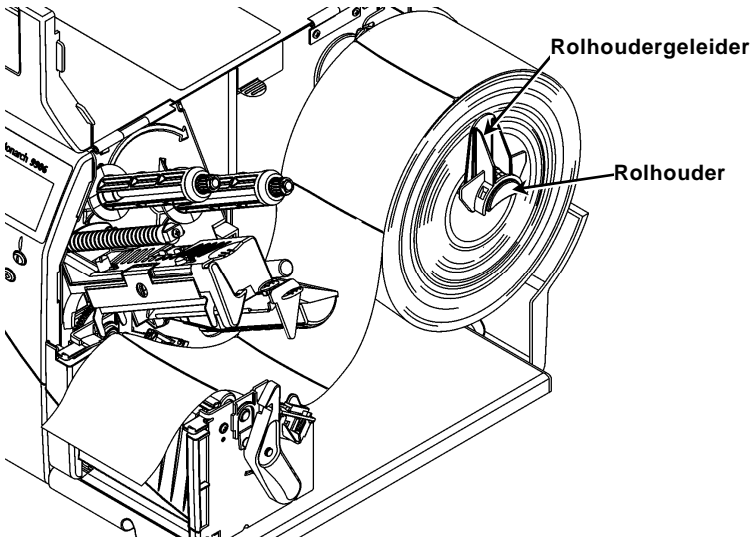


Etiketten laden

1. Open het deksel.
2. Ontgrendel de printkop door de vergrendelingshendel te draaien.

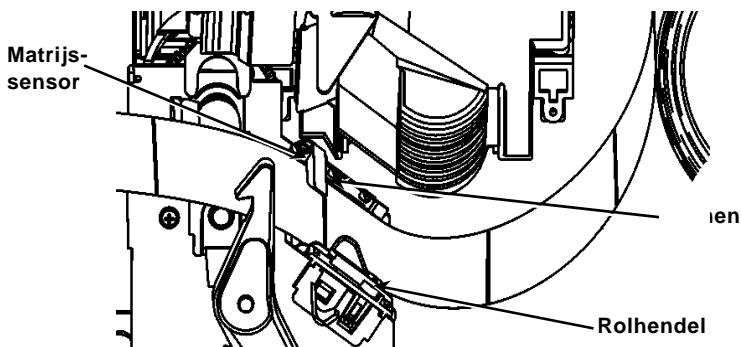


3. Til de printkop op met behulp van het lipje tot de kop op zijn plaats klikt.
4. Plaats de rol op de houder, die tegen de binnenkant van de printer zit.
5. Stel de geleider van de rolhouder zo in dat deze de rol nauwelijks raakt. Zorg ervoor dat de rol vrij kan draaien.

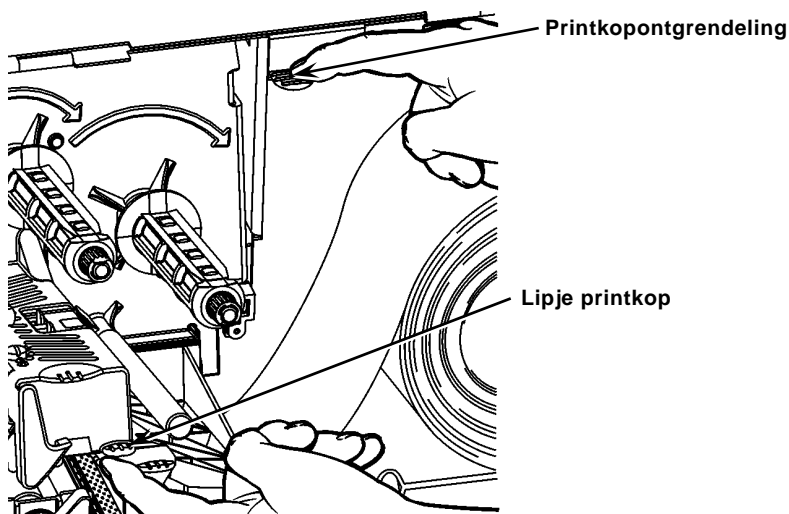


6. Duw de hendel van de houder omlaag om de geleider los te maken.
7. Leg de strook etiketten langs de rolgeleider, zodat deze een paar centimeter uit de voorkant van de printer steekt.

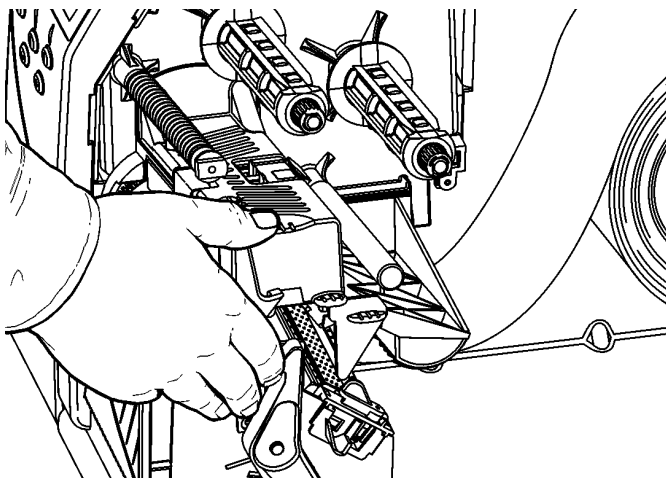
8. Stop de strook etiketten onder de pennen en tussen de matrijssensor.
9. Stel de rolgeleider in zodat deze de rol nauwelijks raakt. Duw de hendel van de houder omhoog om de rolgeleider op zijn plaats te vergrendelen.



10. Houd de printkop vast bij het lipje terwijl u op de printkopontgrendeling drukt.



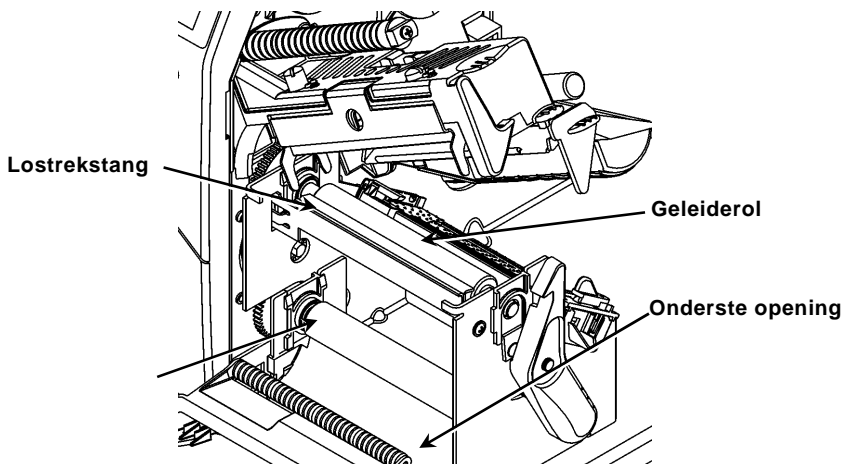
11. Sluit de printkop door deze goed omlaag te drukken tot u hem op zijn plaats hoort klikken.



12. Sluit het deksel van de printer.
13. Druk op **FEED** [doorvoeren].

Etiketten voor de optionele Peel-modus laden [etiketten lostrekken]

1. Verwijder de etiketten van de eerste 20 cm van de strook.
2. Duw de lipjes van het uitvoerdeksel omlaag om het uitvoerdeksel te openen.
3. Voer het stuk strook zonder etiketten over de lostrekstang, langs de helling en naar buiten door de onderste opening in het uitvoerdeksel.



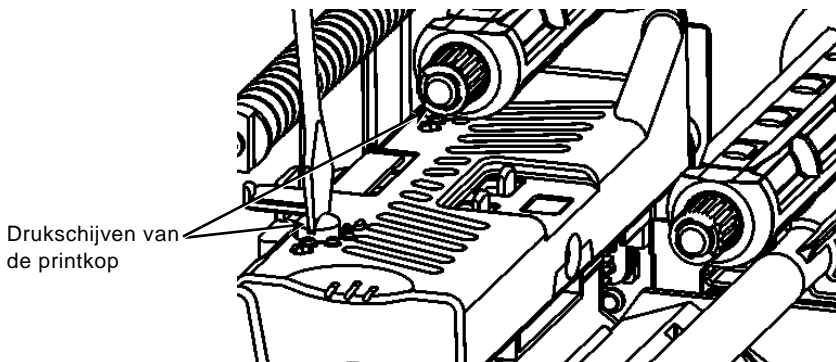
4. Sluit het uitvoerdeksel.
5. Sluit het deksel van de printer.
6. Druk op **FEED** [doorvoeren].

Raadpleeg voor aanvullende laadopties de *Bedieningshandleiding*.

De drukschijven van de printkop afstellen

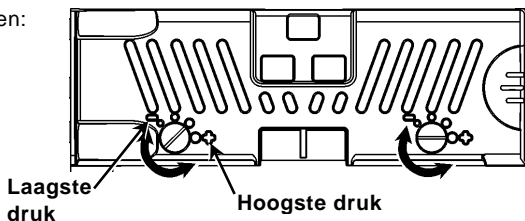
De standaardinstelling is de laagste druk, die in de meeste gevallen een optimale afdruk oplevert. Als u vlekken, kreukelen van het lint of een slechte afdrukwaliteit ziet, dan kan het zijn dat u de drukschijven van de printkop anders moet afstellen.

De twee schijven bevinden zich aan beide kanten van de printkop (aan de binnen- en buitenkant). De schijven kunnen op verschillende standen worden ingesteld; de binnenste schijf moet echter op dezelfde of op een hogere drukstand staan dan de buitenste schijf. Wanneer u etiketten van 10 cm (4 inch) breed gebruikt, dan moeten beide knoppen op dezelfde druk worden ingesteld. Gebruik een munt of een platte schroevendraaier om de schijven af te stellen.



Elke schijf heeft vier instellingen:

- ◆ Laagste druk
- ◆ Lichte druk
- ◆ Gemiddelde druk
- ◆ Hoogste druk

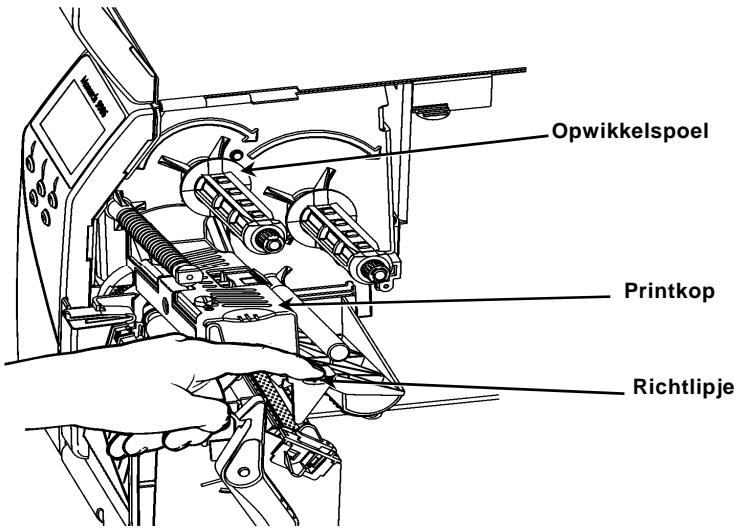


Druk een testetiket af om de druk van de printkop te controleren; pas de druk indien nodig aan. Raadpleeg de *Bedieningshandleiding* voor meer informatie.

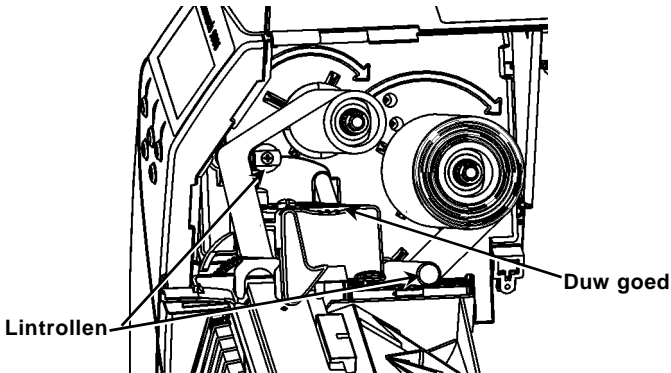
Lint laden

1. Open het deksel.
2. Ontgrendel de printkop door de vergrendelingshendel te draaien.
3. Til de printkop op met behulp van het lipje tot de kop op zijn plaats klikt.

- Duw het richtlipje omlaag.



- Schuif de extra lintkern zo ver mogelijk op de opwikkelspoel.
- Verwijder het nieuwe lint uit de verpakking.
- Schuif het lint helemaal op de achterste spoel. Maak voorzichtig een paar centimeter van de onderkant van de lintrol los.
- Voer het lint voorzichtig onder de beide lintrollen en de printkop door.



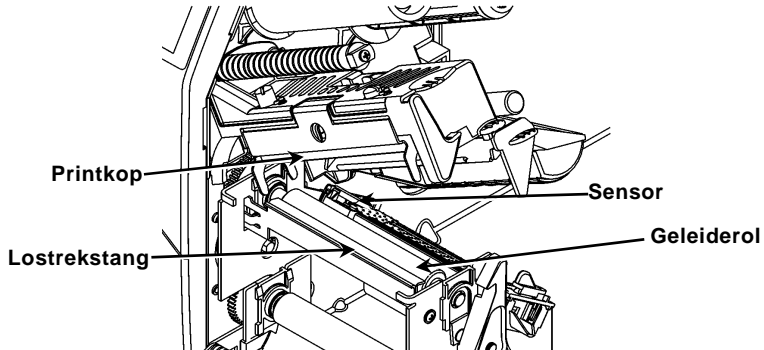
- Zorg ervoor dat het lint recht loopt en goed gecentreerd is over het hele pad.
- Maak het lint vast aan de opwikkeltoren.
- Draai de opwikkeltoren tot het voorste stuk voorbij de printkop is.
- Draai de opwikkelspoel naar rechts om het lint strak te trekken.
- Houd de printkop vast bij het lipje terwijl u de printkopontgrendeling omlaag duwt.
- Sluit de printkop door goed op de knop te drukken tot u hem op zijn plaats hoort klikken.
- Sluit de printkop. Sluit het deksel van de printer.
- Druk op **FEED** [doorvoeren].

Reiniging

U **moet** de printkop volgens de beschrijving reinigen om de levensduur te waarborgen.

Voorzichtig: Gebruik **geen** scherpe voorwerpen om de printkop te reinigen en raak de printkop niet aan. Hierdoor kan de printkop beschadigd raken, waardoor er een monteur moet komen.

1. Zet de printer uit, open het deksel en de printkop.
2. Verwijder de rol etiketten en het lint (als u de printkop reinigt).
3. Duw de lipjes van het uitvoerdeksel omlaag om het uitvoerdeksel te openen.
4. Gebruik perslucht om stof en vuil van de sensor te verwijderen.
5. Gebruik een CLEAN-STRIP (onderdeelnummer 120350) om lijmresten van de geleiderol, de lostrekstang, de sensor en de printkop te verwijderen.



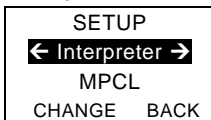
6. Laat de printer drogen en plaats de rol en het lint weer.
7. Sluit het uitvoerdeksel.
8. Sluit de printkop en het deksel van de printer.
9. Zet de printer aan. Druk op **FEED** [doorvoeren].

De Interpreter selecteren

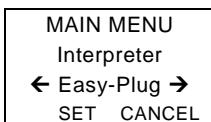
De 9906 printer bevat vier Interpreter-opties; MPCL, MLI, WMS XML en Easy-Plug. Zie voor meer informatie over MLI de *MLI Quick Reference*, zie voor meer informatie over WMS XML de *XML Quick Reference* en zie voor meer informatie over Easy-Plug de *Easy-Plug Manual* die op de cd-rom staan.

Selecteer vanuit het hoofdmenu Setup en doe het volgende:

1. Druk op **←** of **→** tot Interpreter op het display verschijnt.



2. Druk op **CHANGE** en druk vervolgens op **→** tot Easy-Plug op het display verschijnt.



3. Druk op **SET** om de verandering op te slaan.

- ◆ De printer start automatisch opnieuw op nadat er een interpreter geselecteerd is. Dit kan enkele seconden duren.
- ◆ Wanneer u testetiketten print met MLI ingesteld als de interpreter, dan verschijnt het modelnummer als **M9906MLI**.
- ◆ Wanneer u testetiketten print met Easy-Plug ingesteld als de interpreter, dan verschijnt het modelnummer als **M9906EP**.

RFID (indien geïnstalleerd)

De 9906-printer met RFID is ontworpen voor het programmeren (coderen) van een RFID (Radiofrequentie-identificatie)-etiket (meestal aangeduid met "RFID-tags") voordat de opmaak van het etiket wordt geprint. RFID-tags bevatten een geïntegreerde RFID-inlay (chip en antenne).

RFID is alleen beschikbaar met geponste of black mark-etiketrollen.

De printer ondersteunt Class 1 Generation 2 (C1Gen2)-protocolcodering.



RFID-rollen kunnen worden beschadigd door statische elektriciteit. Aard uzelf door metaal aan te raken, bijvoorbeeld de metalen onderkant van de printer, voordat u de rollen hanteert.

De UHF-radio werkt in het frequentiebereik 902 – 928 MHz in overeenstemming met de FCC-regels en voorschriften.

RFID Setup Menu

Gebruik het RFID Setup Menu om een tag te lezen, het RF-vermogen in te stellen en gegevens te wissen.

Met de menuoptie Read Tag (Tag lezen) kunt u de EPC-gegevens lezen die in een RFID-tag geprogrammeerd zijn.

Raadpleeg de RFID-Web Setup Utility op

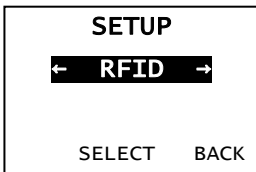
<http://www.servisource1.com/prnutil/rfidsetup> om de RF Power in te stellen.

De printer slaat het aantal succesvolle en mislukte geprogrammeerde tags op.

U kunt dit record wissen met de menuoptie Clear Data (Gegevens wissen).

Afhankelijk van uw toepassing en het aantal geprinte etiketten kunt u deze gegevens dagelijks of na iedere batch wissen.

Om toegang te krijgen tot de RFID-instellingen selecteert u Setup in het hoofdmenu en vervolgens RFID.



Als de RFID-tag om de een of andere reden niet programmeerbaar is, kan het etiket afgedrukt worden met een over elkaar getypt patroon, dat aangeeft dat het niet gebruikt mag worden. Uw systeembeheerder dient de gewenste foutactie dienovereenkomstig in te stellen.

Als u de RFID-foutmeldingen 740 – 749 ziet, neem dan contact op met uw systeembeheerder.

Raadpleeg de *Bedieningshandleiding* en *Opmerkingen bij de toepassing* voor meer informatie.

Problemen oplossen

In dit hoofdstuk wordt een lijst gegeven van veelvoorkomende problemen en de oplossingen hiervoor.

Probleem	Actie
Er verschijnt een foutmelding tijdens het opstarten.	Zet de printer uit, wacht vijftien seconden en zet de printer weer aan. Bel de Klantenservice als de foutmelding opnieuw verschijnt.
De printer drukt niet af.	Controleer de rol en het lint en verzend een gecorrigeerd opmaak- en batch-pakket.
Rol wordt niet doorgevoerd.	Stel de drukschijven van de printkop af.
Gedeeltelijk afgedrukte gegevens.	Reinig de printkop en verzend een gecorrigeerd opmaak-pakket.
Licht/donkere afdruk, schaduwen of lege ruimtes.	Reinig de printkop, verwissel de rol, pas het afdrukcontrast aan, controleer de drukschijven van de printkop, controleer het lint.
Seriële barcodes worden niet gescand.	Laat de printkop ontgrendeld als u hem niet gebruikt, gebruik een afdruksnelheid van 2,5 inch per seconde, pas het afdrukcontrast aan.
Het onderpapier is rond de geleiderol of de lostrekrol gewikkeld.	Verwijder het papier voorzichtig. Zorg ervoor dat het papier wordt afgescheurd op de getande rand wanneer u de terugvoer- en lostrekmodus gebruikt.
De printer leest of programmeert de RFID-tag niet.	Neem contact op met uw systeembeheerder.

Veelvoorkomende foutmeldingen

Foutmelding	Beschrijving/Actie
002	Naam moet 1 tot 8 tekens zijn tussen aanhalingstekens.
005	Ongeldige rolbreedte.
018	Ongeldige codepaginaselectie.
025	Gegevens zijn te lang.
101	Opmaak van batch is niet aanwezig in het geheugen.
400	Ongeldig teken na {.
403	Veldscheidingstekens niet gevonden.
409	Printergeheugen is vol. Verwijder ongebruikte items.
410	Verkeerde pariteit.
411	Framing-fout (verkeerde modemsnelheid).
412	Verkeerde stromingsregeling.
413	Online ontvangstbuffer is vol. Controleer de stromingsregeling.
611	Lettertype, barcode of dichtheid in de batch past niet bij de opmaak.
612	Gegevens in deze regel van de batch ontbreken of komen niet overeen met de opmaak.
613	Referentiepunt heeft geen rol.
614	Gedeelte van het veld heeft geen rol of een ongeldig teken in het pakket.
703	Printer heeft een kalibratie van tekens van verschillende afmetingen gedetecteerd. Zorg ervoor dat het juiste type rol is geladen.
704	Printer heeft geen rolmarkering gedetecteerd waar deze verwacht wordt, of rol is leeg. Zorg ervoor dat uw printer op het juiste type rol is ingesteld. Plaats een nieuwe rol. Reinig de sensor.
751	Printer heeft geen zwarte markering gedetecteerd waar deze verwacht werd. Druk op ESCAPE om door te gaan met afdrukken. Verwissel de rol.
752	Printer heeft een markering op de verkeerde plaats gedetecteerd.
753	Printer heeft een te lange markering gedetecteerd.
754	Controleer of het lint is vastgelopen en trek het lint strak. Plaats een nieuw lint.
755	Printkop is open. Sluit de printkop.
756	Plaats een rol en/of reinig de sensor.
757	Plaats een rol (rollengte verkeerd). Druk op FEED [doorvoeren].
758	Rol is niet gezien, on-demand sensor is kapot of een etiket is te snel verwijderd. Controleer of de etiketten zijn vastgelopen of plaats een nieuwe rol.
763	Wacht op afgeven van etiket. Druk op FEED [doorvoeren].
765	Printkop heeft minder dan 8 verkeerde puntjes en kan de barcodevelden verschuiven om verkeerde puntjes te voorkomen. Druk op ESCAPE om door te gaan met afdrukken.
768	Printhead heeft meer dan 8 verkeerde puntjes of is niet aangesloten. Sluit de printkop aan of vervang deze.

RFID-fouten

Zie de *Opmerkingen bij de RFID-toepassing* voor meer informatie. Neem contact op met uw systeembeheerder voor de opmaak. De printer wordt **niet** opnieuw gekalibreerd (voert geen leeg etiket door) na een RFID-fout.

Foutmelding	Beschrijving/Actie
052	Gegevenstype in het RFID-gegevensveld is ongeldig.
053	Het startblok in het RFID-gegevensveld is ongeldig.
226	Regel record regel xx. Uploadapparaat is ongeldig.
228	Identificatienummer geheugenklasse is ongeldig.
229	Bytecode is ongeldig.
230	Vergrendelingscode is ongeldig.
715	Ongeldige lengte gegevens/verkeerde combinatie gegevens in het RFID-gegevensveld. Deze fout treedt ook op als er een fout in de uitgevouwen C1Gen2-velden is.
732	Fout in RFID-hardware. Een niet-RFID-printer heeft een opmaak ontvangen met een RFID-gegevensveld.
740	Fout in commando, hardware of geheugentoe wijzing.
741	RFID-tag ontbreekt - niet aangetroffen in het gebied binnen de printer waar de RFID-tag geprogrammeerd wordt. Controleer de roltoevoer. Zorg ervoor dat de RFID-tag niet buiten het programmeerbare bereik is geplaatst.
742	Wissen van tag mislukt. De RFID-tag is aangetroffen in het RF-veld, maar kon niet worden gewist.
743	Programmeren van tag mislukt. De RFID-tag is aangetroffen in het RF-veld, maar kon niet worden geprogrammeerd.
744	Fout vergrendelde tag. De RFID-tag kan niet geprogrammeerd worden omdat deze reeds vergrendeld is.
746	Fout vergrendeling tag. De RFID-tag is niet vergrendeld om herprogrammering te voorkomen.
747	Time-out. Een RFID-commando (lezen, programmeren etc.) is niet uitgevoerd binnen de maximaal toegestane tijdsduur.
748	Ongeldige lengte gegevens/verkeerde combinatie gegevens van RFID-ondervragingsmodule.
749	Fout RFID-verificatie. Het RFID-verificatieproces is mislukt na het schrijven (programmeren) van een tag.

PIKAOPAS

Tämä *pikaopas* sisältää ohjeita Monarch® 9906 -tulostimen tarvikkeiden lisäyksestä sekä yleisestä hoidosta ja kunnossapidosta. Tarkempia tietoja on *Käyttöoppaassa*, joka on saatavana sivustoltamme (www.monarch.com). Tietoja formaattien luomisesta, tulostimen määrittämisestä tai sen ohjelmistosta on *Packet Reference Manual*, joka on saatavana sivustoltamme.

Tutustu tulostimen mukana toimitetussa *Säännösten noudattaminen -asiakirjassa* oleviin turvallisuustietoihin. Tässä asiakirjassa olevat tiedot korvaavat aiemmissa versioissa olevat tiedot. Katso sivustoltamme uusimmat asiakirja- ja julkaisutiedot.

Kaapelien liittäminen

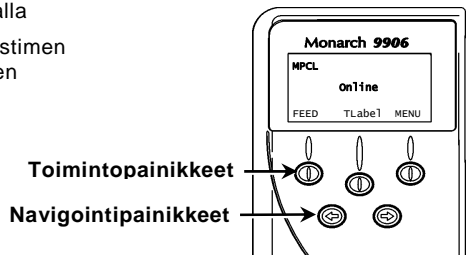
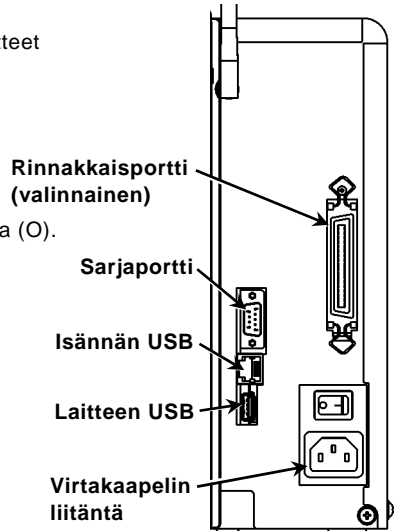
Virtalähde hyväksyy automaattisesti jännitteet 115 V ja 230 V.

1. Liitä virtakaapeli liittimeen ja toinen pää maadoitettuun pistorasiaan.
2. Liitä tiedonsiirtokaapeli asianmukaiseen porttiin.
3. Kytke tulostimeen virta. Kytke virta päälle painamalla (I) ja pois painamalla (O).

Ohjauspaneelin käyttö

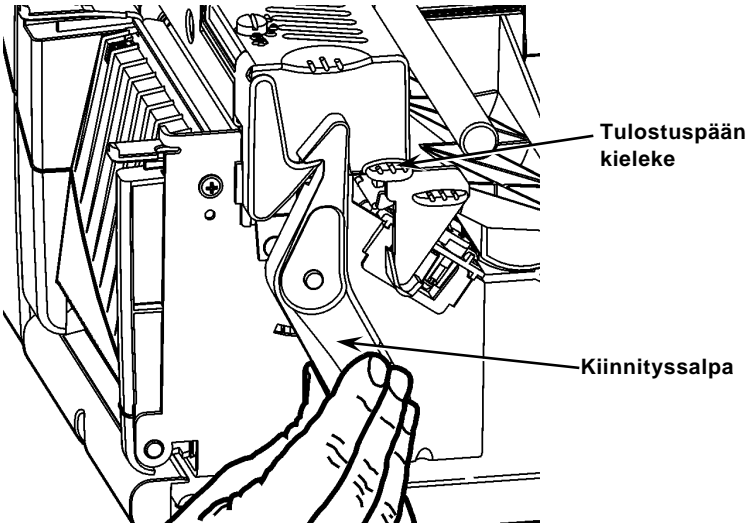
Ohjauspaneelissa on nelirivinen LCD-näyttö, kolme toimintopainiketta ja kaksi navigointipainiketta. Painikkeiden toiminnot vaihtelevat tehtävän mukaan. LCD-näyttö:

- ◆ Osoittaa virran, kun tekstiä tai muita tietoja näytetään
- ◆ Osoittaa välitöntä huomiota vaativat olosuhteet (akku lopussa, viat, virheet) punaisella taustalla
- ◆ Näyttää valikkokehotteet, tulostimen asetukset, toimintopainikkeiden määrittäykset, arvot yms.

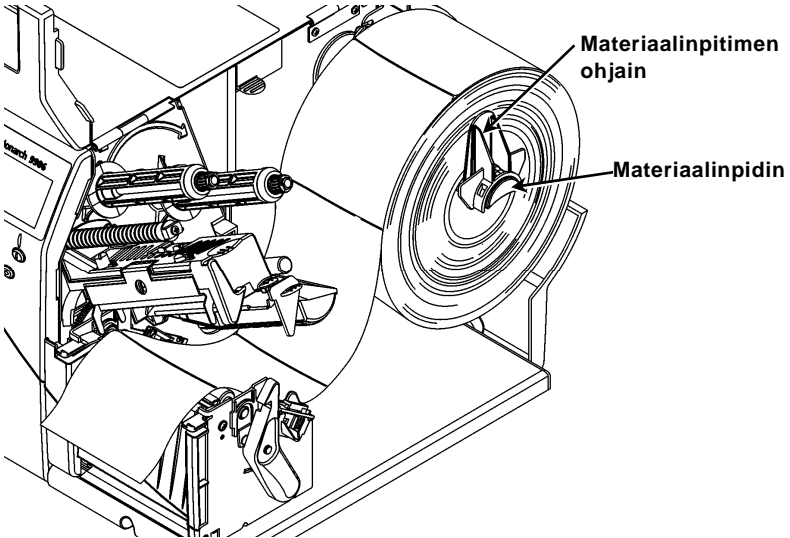


Tarrojen tai lappujen lisääminen

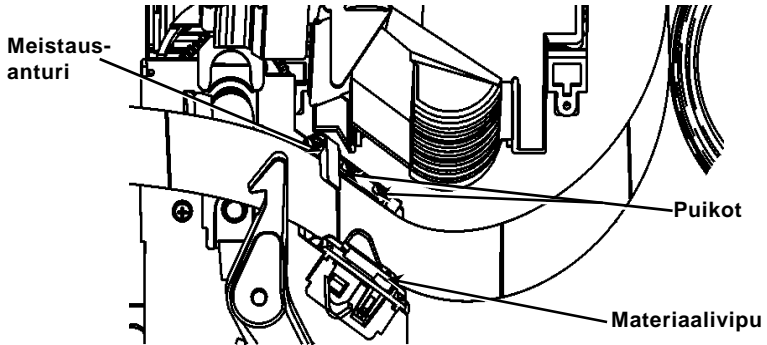
1. Avaa kansi.
2. Vapauta tulostuspää kääntämällä kiinnityssalpa.



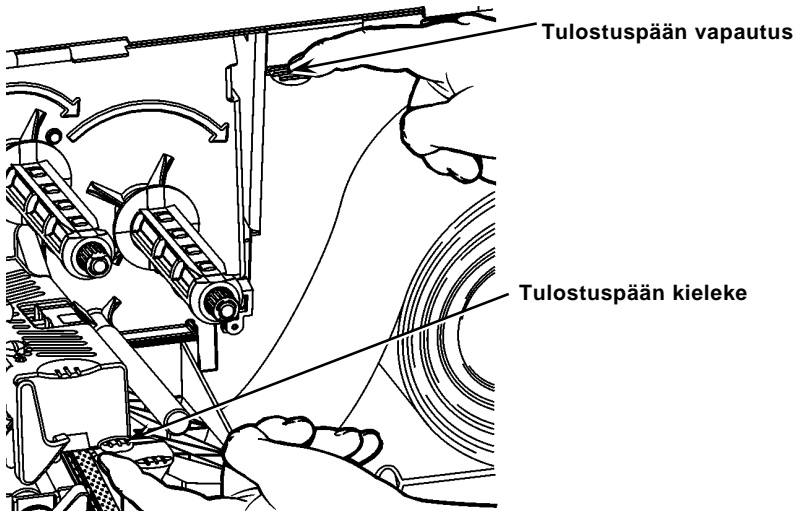
3. Nosta tulostuspäätä sen kielekkeestä, kunnes se lukittuu paikalleen.
4. Aseta materiaalirulla materiaalinpitimeen, joka on tulostimen sisällä.
5. Säädä materiaalinpitimen ohjain niin, että se juuri ja juuri koskettaa rullaa, ja varmista, että materiaalinrulla pyörii vapaasti.



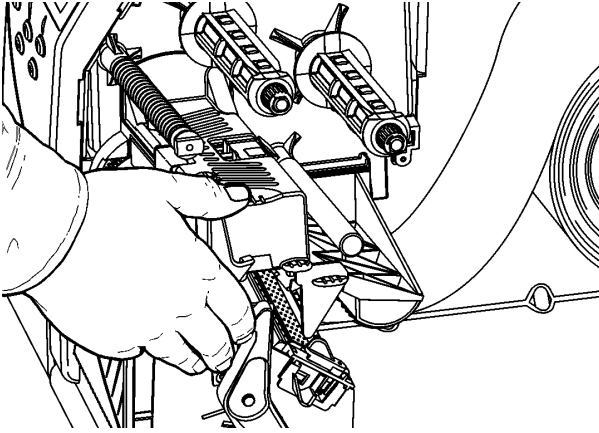
6. Vapauta materiaalinohjain painamalla materiaalivipua.
7. Aseta tarraliuska materiaaliyhjäimen poikki niin, että muutama sentti ulottuu tulostimen etureunan yli.
8. Aseta materiaali puikkojen alle ja meistausanturin väliin.
9. Säädä materiaalinohjain niin, että se juuri ja juuri koskettaa materiaalia. Lukitse materiaalinohjaimet nostamalla materiaalivipua.



10. Pidä tulostuspäätä kiinni sen kielekkeestä samalla, kun painat tulostuspään vapautinta.



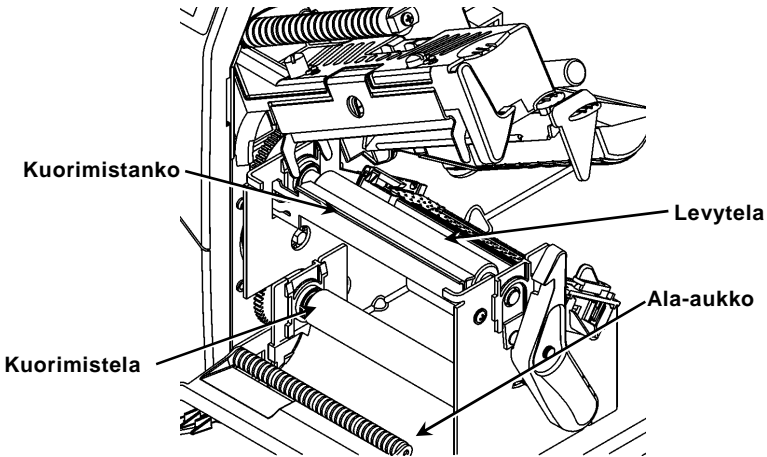
11. Sulje tulostuspää painamalla sitä peukalolla alas, kunnes se napsahtaa paikalleen.



12. Sulje tulostimen kansi.
13. Paina **FEED** (Syöttö).

Tarrojen lisääminen valinnaista kuorimistilaa varten

1. Irrota tarrat taustapaperin ensimmäisen 25 cm:n matkalta.
2. Avaa poistokansi painamalla sen kielekkeitä.
3. Syötä taustapaperi kuorimistangon yli, kourua pitkin ja ulos poistokannen ala-aukosta.



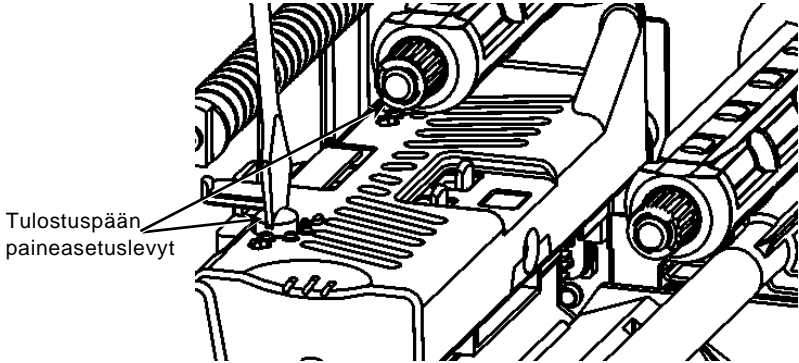
4. Sulje poistokansi.
5. Sulje tulostimen kansi.
6. Paina **FEED** (Syöttö).

Tietoja muista materiaalin lisäsvaihtoehdoista on *Käyttöoppaassa*.

Tulostuspään paineasetuslevyjen säätäminen

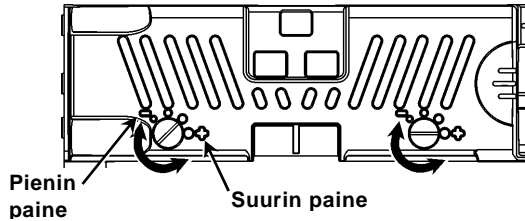
Oletusasetus on pienin paine, joka tarjoaa parhaan tulostuslaadun useimmissa tapauksissa. Jos tuhuriintumista, nauhan rypistymistä tai heikkoa tulostuslaatua esiintyy, tulostuspään paineasetuslevyjä täytyy ehkä säätää.

Asetuslevyt sijaitsevat tulostuspään kummassakin reunassa (sisä- ja ulkopuolella). Asetuslevyt voidaan asettaa eri asentoihin. Sisemmän asetuslevyn paineen täytyy kuitenkin olla sama tai korkeampi kuin ulomman asetuslevyn. Kun käytetään 4 tuumaa leveää materiaalia, kummankin nupin paine täytyy asettaa samaksi. Säädä asetuslevyjä kolikolla tai tasakantaisella ruuviavaimella.



Asetuslevyillä on neljä asetusta:

- ◆ Pienin paine
- ◆ Kevyt paine
- ◆ Normaali paine
- ◆ Suurin paine

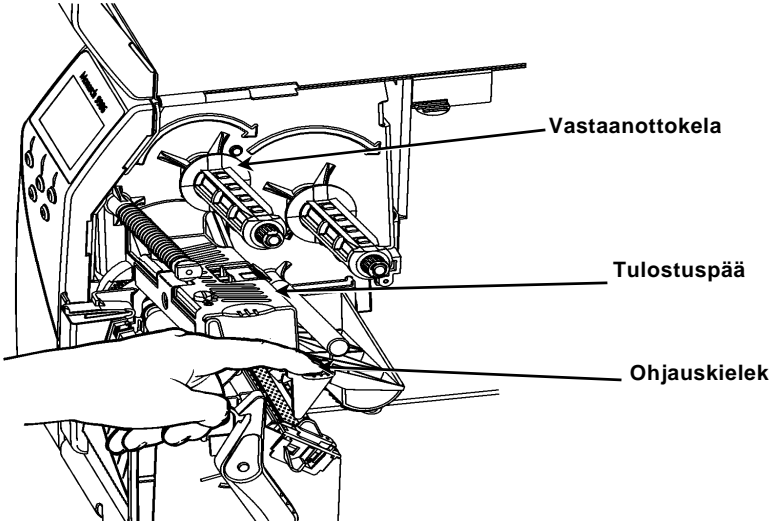


Tarkista tulostuspään paine tulostamalla testitarra. Säädä tarpeen mukaan. Katso lisätietoja *Käyttöoppaasta*.

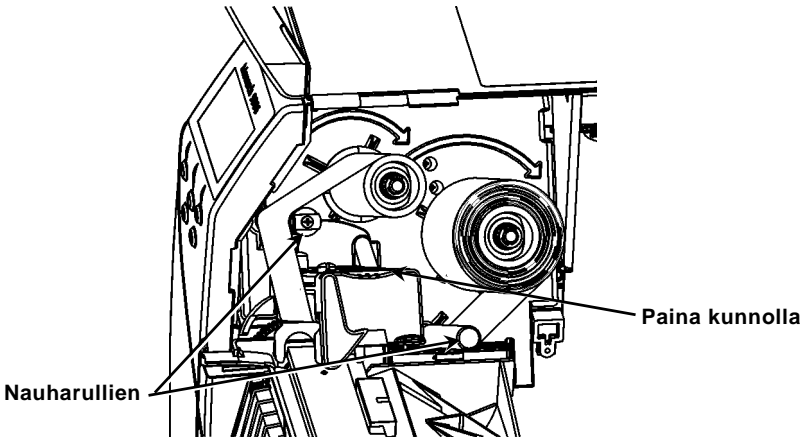
Nauhan lisääminen

1. Avaa kansi.
2. Vapauta tulostuspää kääntämällä sen kiinnityssalppaa.
3. Nosta tulostuspäätä sen kielekkeestä, kunnes se lukittuu paikalleen.

4. Paina ohjauskieleke alas.



5. Liu'uta ylimääräinen nauhan sydän vastaanottokelalle niin pitkälle kuin se menee.
6. Poista uusi nauha pakkauksesta.
7. Liu'uta nauha kokonaan takakelalle. Kelaa auki muutama tuuma nauhakelan pohjasta.
8. Syötä nauha varovasti sekä nauharullien että tulostuspään alle.



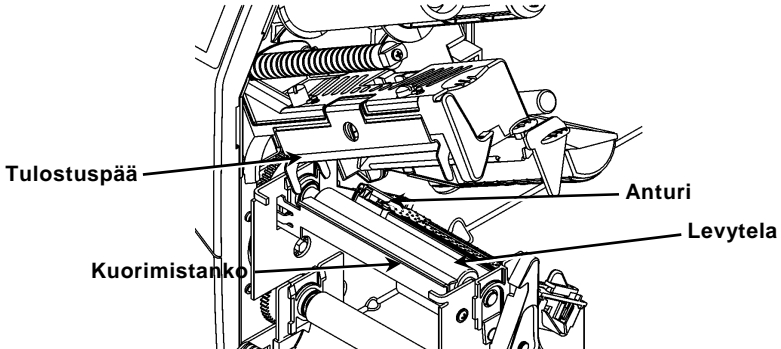
9. Varmista, että nauha on suorassa ja keskellä koko radan mitalla.
10. Teippaa nauha kiinni vastaanottosydämeen.
11. Kierrä vastaanottosydäntä, kunnes alkunauha on ohittanut tulostuspään.
12. Poista nauhasta löysyys kääntämällä vastaanottokelaa myötäpäivään.
13. Pidä tulostuspäästä kiinni sen kielekkeestä samalla, kun painat tulostuspään vapautinta.
14. Sulje tulostuspää painamalla sitä peukalolla alas, kunnes se napsahtaa paikalleen.
15. Sulje tulostuspää. Sulje tulostimen kansi.
16. Paina **FEED** (Syöttö).

Puhdistus

Tulostuspää **täytyy** puhdistaa ohjeiden mukaisesti sen käyttöön säilyttämiseksi.

Huomio: Älä käytä teräviä esineitä tulostuspään puhdistukseen äläkä kosketa tulostuspäätä. Tulostuspää voi vaurioitua ja vaatia huoltoa.

1. Sammuta tulostin ja avaa kansi sekä tulostinpää.
2. Irrota tarrarulla ja nauha (kun puhdistat tulostuspäätä).
3. Avaa poistokansi painamalla sen kielekkeitä.
4. Poista pöly ja lika suihkuttamalla paineilmaa anturille.
5. Puhdista ja poista levytelaan, kuorimistankoon, anturiin ja tulostuspäähän kertynyt liima käyttämällä CLEAN-STRIP-tuotetta (osanumero 120350).



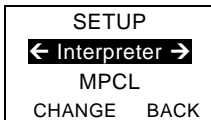
6. Anna tulostimen kuivua ja lisää sitten materiaalit uudelleen.
7. Sulje poistokansi.
8. Sulje tulostuspää ja tulostimen kansi.
9. Kytke tulostimeen virta. Paina **FEED** (Syöttö).

Tulkin valitseminen

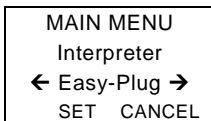
9906-tulostimessa on neljä tulkivaihtoehtoa: MPCL, MLI, WMS XML ja Easy-Plug. Lisätietoja MLI-tulkista on julkaisussa *MLI Quick Reference*, lisätietoja WMS XML -tulkista on julkaisussa *XML Quick Reference*, lisätietoja Easy-Plug-tulkista on CD-ROM-levyllä olevassa julkaisussa *Easy-Plug Manual*.

Valitse päävalikosta Setup ja sitten:

1. Paina **← tai →**, kunnes Interpreter näkyy näytössä.



2. Paina **CHANGE** ja paina sitten **→**, kunnes Easy-Plug näkyy näytössä.



3. Tallenna muutos painamalla **SET**.

- ◆ Tulostin käynnistyy automaattisesti uudelleen, kun tulkki on valittu. Tämä voi kestää useita sekunteja,
- ◆ Kun tulostetaan testitarroja, kun MLI on asetettu tulkiksi, mallinumerona näkyy **M9906MLI**.
- ◆ Kun tulostetaan testitarroja, kun Easy-Plug on asetettu tulkiksi, mallinumerona näkyy **M9906EP**.

RFID (jos asennettu)

RFID:llä varustettu 9906-tulostin on suunniteltu ohjaamaan (koodaamaan) RFID (Radio Frequency Identification) -tarran (kutsutaan yleensä RF-tunnisteeksi), ennen kuin tarran muoto tulostetaan. RF-tunnisteet sisältävät sisäisen RFID-upotteen (siru ja antenni).

RFID on käytettävissä vain stanssattujen tai mustan merkin materiaalien kanssa. Tulostin tukee Class 1 Generation 2 (C1Gen2) -protokollan koodausta.



Staattinen sähkö voi vaurioittaa RFID-materiaaleja. Maadoita itsesi ennen materiaalien käsittelyä koskettamalla metallia, esimerkiksi tulostimen metallipohjaa.

UHF-radio toimii taajuusalueella 902–928 MHz FCC:n sääntöjen ja määräysten mukaisesti.

RFID-asetusvalikko

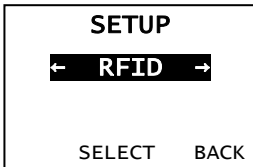
RFID-asetusvalikon avulla voit lukea tunnisteiden, asettaa RF-tehon ja poistaa tietoja.

Read Tag -valikkokokohdan avulla voit lukea RF-tunnisteeseen ohjelmoidut EPC-tiedot.

Tietoja RF-tehotason asettamisesta on julkaisussa *RFID Web Setup Utility* at <http://www.servisource1.com/prnutil/rfidsetup>.

Tulostin tallentaa onnistuneiden ja epäonnistuneiden ohjelmoitujen tunnisteiden lukumäärän. Voit poistaa nämä tiedot käyttämällä Clear Data -valikkokohtaa. Sovelluksen ja tulostettavien tarrojen määrän mukaan voit halutessasi poistaa nämä tiedot päivittäin tai jokaisen erän jälkeen.

Pääset RFID-asetuksiin valitsemalla päävalikosta Setup ja sitten RFID.



Jos RF-tunnistetta ei jostain syystä voida ohjelmoida, se saatetaan tulostaa päällekirjoituskuviolla, joka osoittaa, ettei sitä saa käyttää. Järjestelmänvalvojan täytyy asettaa haluttu virhetoimenpide vastaavasti.

Jos näet RFID-virheen 740–749, ota yhteys järjestelmänvalvojaan.

Lisätietoja on julkaisuissa *Operator's Handbook* ja *Application Notes*.

Vianetsintä

Tässä osassa luetellaan yleisiä ongelmia ja niiden ratkaisuja.

Ongelma	Toimenpide
Virheilmoitus tulee esiin käynnistettäessä.	Sammuta tulostin, odota 15 sekuntia ja käynnistä sitten tulostin. Ota yhteyttä asiakaspalveluun, jos virheilmoitus tulee uudelleen esiin.
Ei tulostusta.	Tarkista materiaali ja nauha, lähetä korjattu formaatti- ja eräpaketti.
Ei syöttöä.	Säädä tulostuspään paineasetuslevyt.
Tiedot tulostuvat osittain.	Puhdista tulostuspää, lähetä korjattu formaattipaketti.
Vaalea/tumma tulostus, varjoja tai tyhjiä kohtia tulostuu.	Puhdista tulostuspää, vaihda materiaali, säädä tulostuskontrastia, tarkista tulostuspään paineasetuslevyt, tarkista nauha.
Sarjaviivakoodeja ei voi lukea.	Jätä tulostuspää auki, kun sitä ei käytetä, käytä tulostusnopeutta 2,5 ips, säädä tulostuskontrastia.
Taustapaperi kiertyy levy- tai kuorimistelan ympärille.	Irrota taustapaperi varovasti. Varmista, että taustapaperi katkeaa sahalaitaisesta katkaisureunasta, kun käytetään takaisinsyöttöä ja kuorimistilaa.
Tulostin ei lue tai ohjelmoi RF-tunnistetta.	Ota yhteys järjestelmänvalvojaan

Yleiset virheet

Virhe Kuvaus/toimenpide

- 002 Nimessä täytyy olla 1-8 merkkiä lainausmerkkien sisällä.
- 005 Virheellinen materiaalin leveys.
- 018 Virheellinen koodisivuvalinta.
- 025 Datat pituus on liian pitkä.
- 101 Erässä viitattua formaattia ei ole muistissa.
- 400 Virheellinen merkki {-merkin jäljessä.
- 403 Kentän erotinta ei löytynyt.
- 409 Tulostimen muisti on täynnä. Poista käyttämättömiä kohteita.
- 410 Pariteetin ristiriita.
- 411 Kehysvirhe (siirtonopeuden ristiriita).
- 412 Vuonohjauksen ristiriita.
- 413 Online-vastaanottopuskuri on täynnä. Tarkista vuonohjaus.
- 611 Erän fontti, viivakoodi tai tummuus ei sovi formaattiin.
- 612 Erän tämän rivin data puuttuu tai ei vastaa formaattia.
- 613 Vertailupiste pois materiaaalilta.
- 614 Osa kentästä pois materiaaalilta tai paketissa on virheellinen merkki.
- 703 Tulostin tunnisti erikokoisten mustien merkkien kalibroinnin. Varmista, että on lisätty oikeaa materiaalityyppiä.
- 704 Tulostin ei ole tunnistanut materiaalimerkkiä, kun sitä odotettiin, tai materiaali on loppunut. Varmista, että tulostin on asetettu käyttämään asianmukaista materiaalityyppiä. Täydennä materiaalia. Puhdista anturi.
- 751 Tulostin ei tunnistanut mustaa merkkiä, kun sitä odotettiin. Jatka tulostusta painamalla **ESCAPE**. Vaihda materiaali.
- 752 Tulostin tunnisti merkin väärässä paikassa.
- 753 Tulostin tunnisti liian pitkän merkin.
- 754 Tarkista nauhatukokset tai poista nauhasta löysyys. Asenna uusi nauha.
- 755 Tulostuspää on auki. Sulje tulostuspää.
- 756 Lisää materiaalia ja/tai puhdista anturi.
- 757 Lisää materiaalia (materiaalin pituuden ristiriita). Paina **FEED** (Syöttö).
- 758 Materiaalia ei näy, tarveanturi on rikki tai tarra poistettiin liian nopeasti. Tarkista tarratukokset tai lisää materiaalia.
- 763 Odotetaan tarran jakelua. Paina **FEED** (Syöttö).
- 765 Tulostuspäässä on alle 8 huonoa pistettä, ja se voi siirtää viivakoodikenttiä huonojen pisteiden välttämiseksi. Jatka tulostusta painamalla **ESCAPE**.
- 768 Tulostuspäässä on yli 8 huonoa pistettä tai sitä ei ole liitetty. Liitä tai vaihda tulostuspää.

RFID-virheet

Katso lisätietoja julkaisusta *RFID Application Notes*. Tarkista muoto järjestelmänvalvojalta. Tulostin ei kalibroidu uudelleen (syötä tyhjää tarraa) RFID-virheen jälkeen.

Virhe	Kuvaus/toimenpide
--------------	--------------------------

- | | |
|-----|-------------------------------------------------------------------------------------------------------------------------------------------------------------------------------------------------------------|
| 052 | RFID-tietokentän tietotyyppi on virheellinen. |
| 053 | RFID-tietokentän aloituslohko on virheellinen. |
| 226 | Sääntötietueen rivi xx. Lähettävä laite on virheellinen. |
| 228 | Muistiluokan tunniste on virheellinen. |
| 229 | Tavukoodi on virheellinen. |
| 230 | Lukituskoodi on virheellinen. |
| 715 | Virheellinen tiedon pituus / tiedon ristiriita RFID-tietokentässä. Tämä virhe tapahtuu myös, kun laajennetuissa C1Gen2-kentissä on virhe. |
| 732 | RFID-laitteistovirhe. Muu kuin RFID-tulostin vastaanotti RFID-tietokentän sisältävän muodon. |
| 740 | Komento-, laitteisto- tai muistinvarausvirhe. |
| 741 | RF-tunniste puuttuu – ei löytynyt tulostimen sisällä olevalta alueelta, jossa RF-tunniste ohjelmoidaan. Tarkista materiaalin lisäys. Varmista, ettei RF-tunnistetta siirretty pois ohjelmitavalta alueelta. |
| 742 | Tunnisteen tyhjennys epäonnistui. RF-tunniste löytyi RF-kentästä, mutta sitä ei voitu tyhjentää. |
| 743 | Tunnisteen ohjelmointi epäonnistui. RF-tunniste löytyi RF-kentästä, mutta sitä ei voitu ohjelmoida. |
| 744 | Tunnisteen lukitus epäonnistui. RF-tunnistetta ei voi ohjelmoida, koska se on jo lukittu. |
| 746 | Tunnisteen lukitus epäonnistui. RF-tunnistetta ei ole lukittu uudelleenohjelmoinnin estämiseksi. |
| 747 | Aikakatkaisuvirhe. RFID-komentoa (luku, ohjelmointi tms.) ei voitu suorittaa pisimmän sallitun ajan kuluessa. |
| 748 | Virheellinen tiedon pituus / tiedon ristiriita RFID-kyselymoduulissa. |
| 749 | RFID-vahvistus epäonnistui. RFID-vahvistusprosessi epäonnistui tunnisteen kirjoittamisen (ohjelmoinnin) jälkeen. |

MANUEL DE REFERENCE RAPIDE

Ce *Manuel de référence rapide* présente les procédures relatives au chargement des consommables et à l'entretien général de l'imprimante Monarch® 9906. Pour obtenir des informations détaillées, reportez-vous au *Operator's Handbook (Manuel de l'opérateur)* disponible sur notre site Web (www.monarch.com). Pour de plus amples informations sur la création de formats et la configuration ou la programmation de l'imprimante, reportez-vous au *Packet Reference Manual* disponible sur notre site Web.

Consultez les informations relatives à la sécurité figurant dans le document *Conformité réglementaire* fourni avec l'imprimante. Les informations contenues dans le présent document remplacent celles des versions précédentes. Consultez notre site Web pour télécharger la documentation et les informations de version les plus récentes.

Remarque : L'imprimante Monarch® 9906 utilise le pilote Monarch® 9855®.

Branchement des câbles

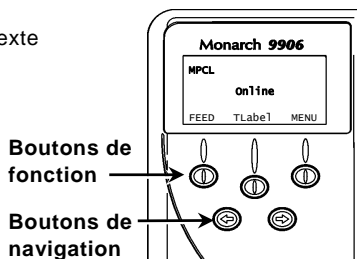
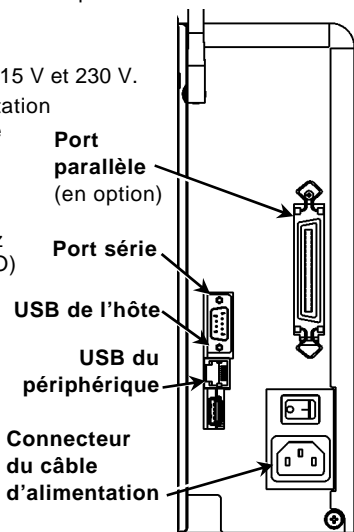
L'alimentation bascule automatiquement entre 115 V et 230 V.

1. Branchez une extrémité du câble d'alimentation sur le connecteur de l'imprimante et l'autre dans une prise électrique mise à la terre.
2. Connectez le câble de communication au port approprié.
3. Mettez l'imprimante sous tension. Appuyez sur (I) pour la mettre sous tension et sur (O) pour la mettre hors tension.

Utilisation du panneau de commandes

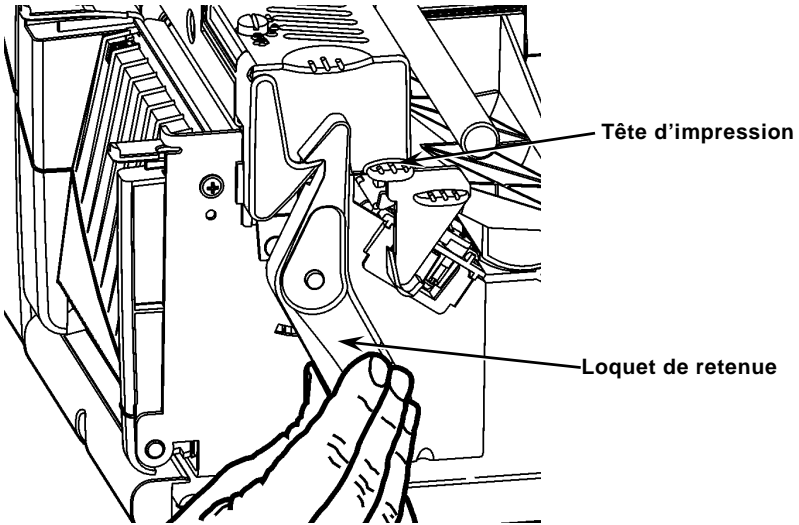
Le panneau de commandes se compose d'un affichage à cristaux liquides de quatre lignes, de trois boutons de fonction et de deux boutons de navigation. La fonction de chaque bouton varie en fonction de la tâche à exécuter. L'affichage à cristaux liquides :

- ◆ indique la mise sous tension lorsque du texte ou d'autres informations sont affichées ;
- ◆ indique par un arrière-plan rouge les conditions nécessitant une attention immédiate (batterie faible, pannes, erreurs) ;
- ◆ affiche les invites de menu, les paramètres de l'imprimante, les affectations des boutons de fonction, les valeurs, etc.

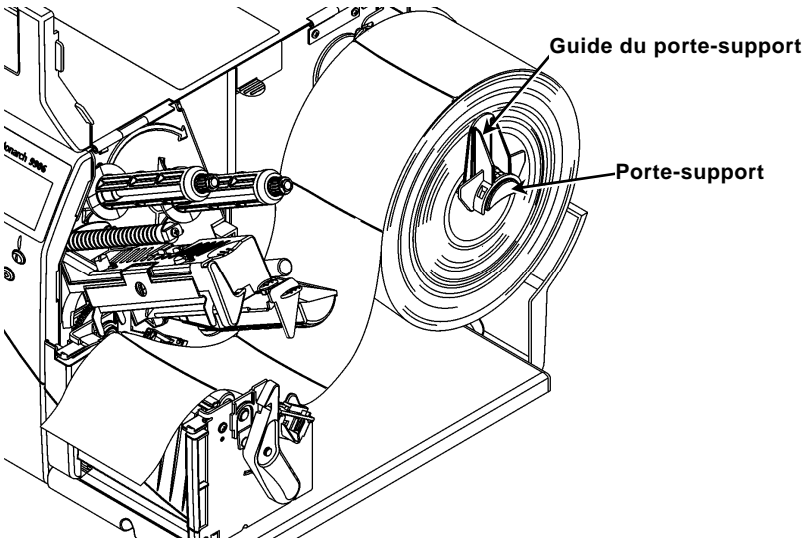


Chargement des étiquettes

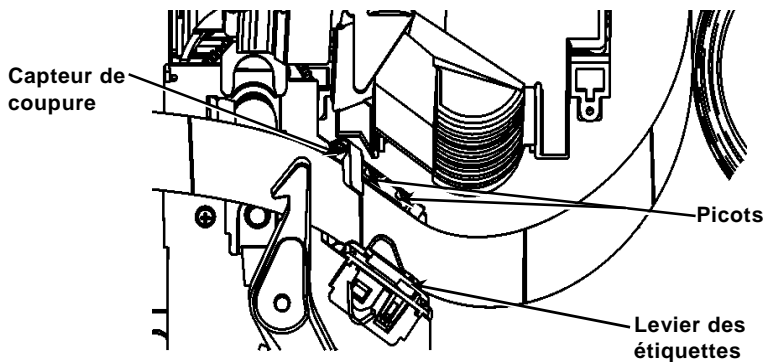
1. Ouvrez le couvercle.
2. Débloquez la tête d'impression en faisant tourner le loquet de retenue.



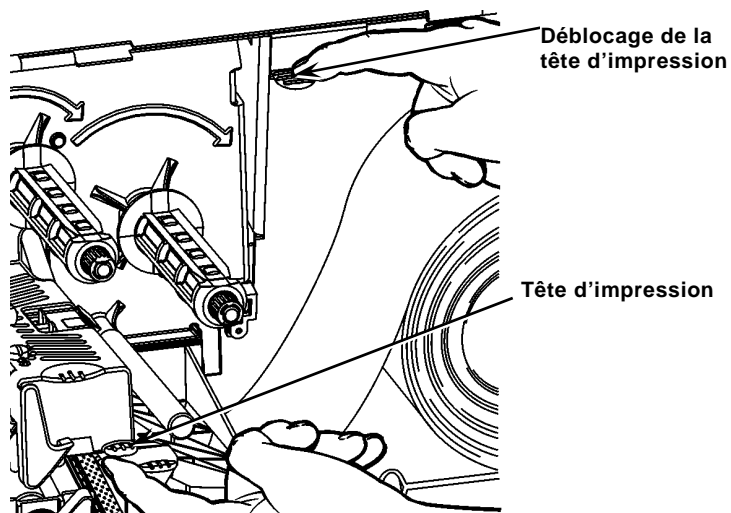
3. Soulevez le mécanisme de la tête d'impression en le saisissant par la languette jusqu'à son blocage en position.
4. Placez le rouleau d'étiquettes sur le support, situé contre l'intérieur de l'imprimante.
5. Réglez le guide du porte-support de sorte qu'il soit à peine en contact avec le rouleau, en veillant à ce que ce dernier tourne librement.



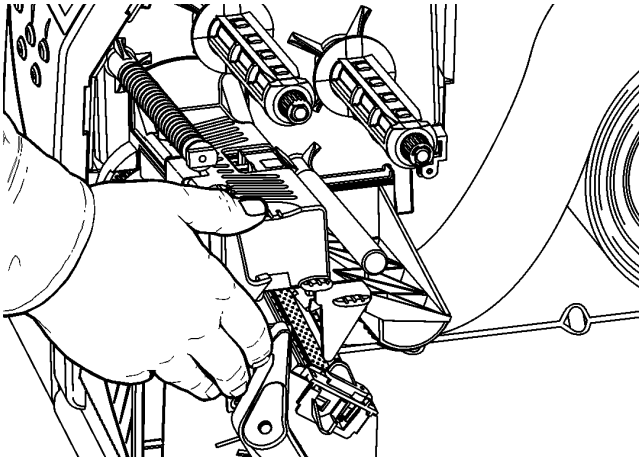
6. Enfoncez le levier des étiquettes afin de débloquer le guide d'étiquettes.
7. Placez la bande d'étiquettes sur le guide de manière à ce qu'elle dépasse d'une dizaine de centimètres à l'avant de l'imprimante.
8. Placez les étiquettes sous les picots du guide et au centre du capteur de coupure.
9. Réglez le guide de sorte qu'il soit à peine en contact avec l'étiquette. Tirez sur le levier des étiquettes afin de bloquer les guides dans leur position.



10. Maintenez le mécanisme de la tête d'impression par sa languette tout en appuyant sur le dispositif de déblocage.



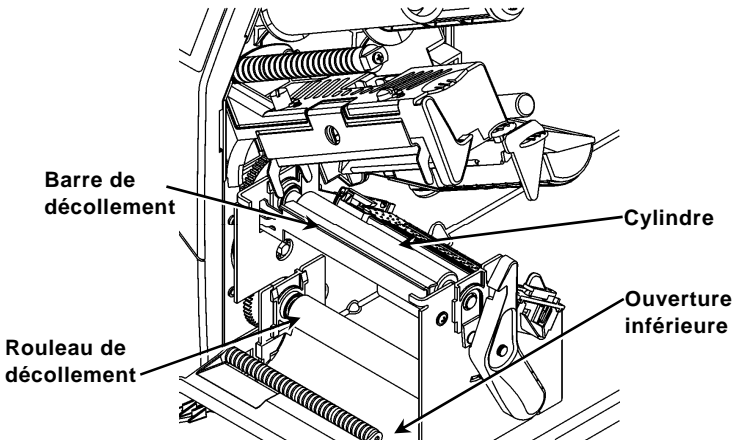
11. Fermez la tête d'impression en exerçant une pression du pouce à l'emplacement prévu à cet effet jusqu'à ce que vous entendiez un déclic.



12. Fermez le couvercle de l'imprimante.
13. Appuyez sur **FEED** (Avance).

Chargement des étiquettes pour le mode de décollement disponible en option

1. Décollez les étiquettes de la bande sur les 25 premiers centimètres.
2. Appuyez sur les languettes du couvercle de sortie pour ouvrir ce dernier.
3. Placez la bande sur la barre de décollement, le long de la glissière, puis sortez-la en passant par l'ouverture inférieure du couvercle de sortie.



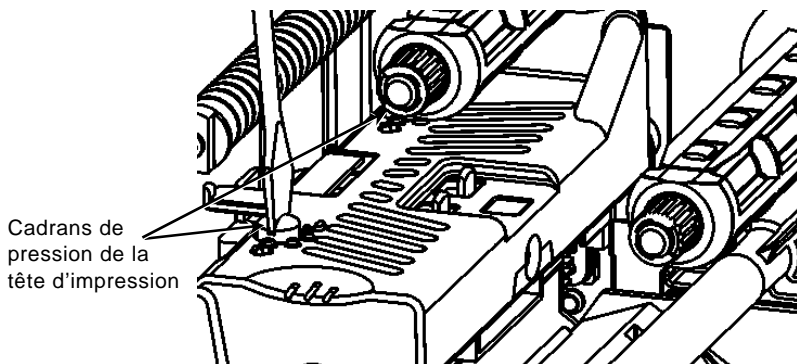
4. Fermez le couvercle de sortie.
5. Fermez le couvercle de l'imprimante.
6. Appuyez sur **FEED** (Avance).

Pour en savoir plus sur les autres options de chargement d'étiquettes, reportez-vous au *Operator's Handbook (Manuel de l'opérateur)*.

Réglage des cadrans à pression de la tête d'impression

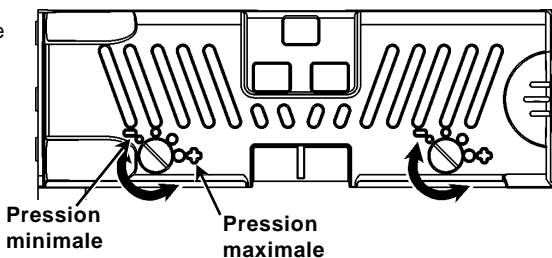
Le réglage par défaut est la pression minimale, qui permet une impression optimale dans la plupart des cas. En cas de maculage, de plissage du ruban ou d'une mauvaise qualité d'impression, vous serez peut-être amené à régler les cadrans.

Les deux cadrans sont situés de chaque côté de la tête d'impression (à l'intérieur et à l'extérieur). Ils peuvent être réglés sur des positions différentes ; mais la pression du cadran intérieur doit être égale ou supérieure à celle du cadran extérieur. Avec les étiquettes de 10 cm de large (4 pouces), les deux boutons doivent être réglés sur la même pression. Pour régler les cadrans, servez-vous d'une pièce ou d'un tournevis à lame plate.



Chaque cadran comporte quatre réglages :

- ◆ Pression minimale
- ◆ Pression légère
- ◆ Pression moyenne
- ◆ Pression maximale

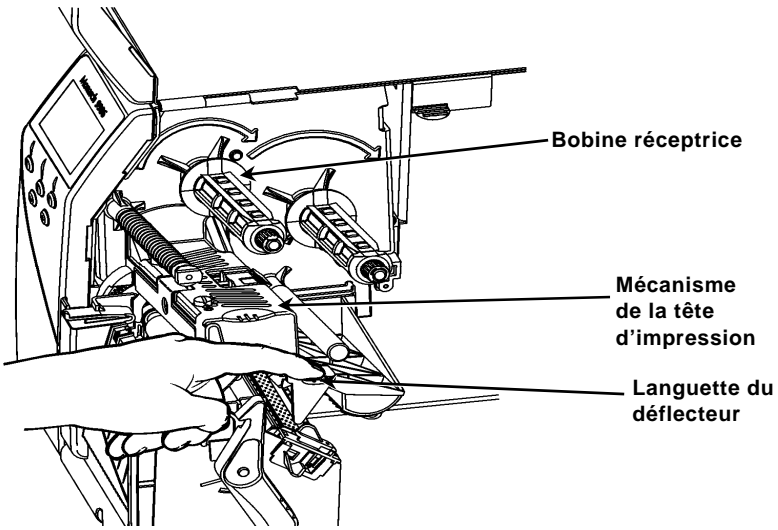


Imprimez une étiquette de test pour vérifier la pression de la tête; procédez ensuite à des ajustements si nécessaire. Pour plus d'informations, reportez-vous au manuel de l'opérateur (*Operator's Handbook*, en anglais uniquement).

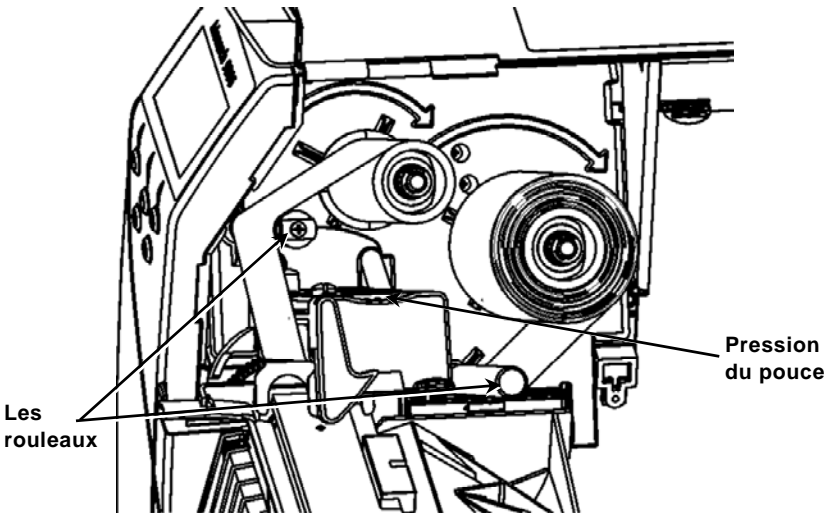
Installation du ruban

1. Ouvrez le couvercle.
2. Débloquez la tête d'impression en faisant tourner son loquet de retenue.
3. Soulevez le mécanisme de la tête d'impression en le saisissant par la languette jusqu'à son blocage en position.

4. Enfoncez la languette du déflecteur.



5. Faites glisser le mandrin de ruban supplémentaire le plus loin possible sur la bobine réceptrice.
6. Retirez le nouveau ruban de sa boîte.
7. Faites passer le ruban jusqu'à la bobine arrière. Déroulez soigneusement une dizaine de centimètres du bas du rouleau de ruban.
8. Faites soigneusement passer le ruban sous les rouleaux et la tête d'impression.



9. Veillez à ce que le ruban soit bien droit et centré sur toute sa longueur.
10. Attachez le ruban au mandrin récepteur.
11. Faites tourner le mandrin récepteur jusqu'à ce que le repère dépasse la tête d'impression.

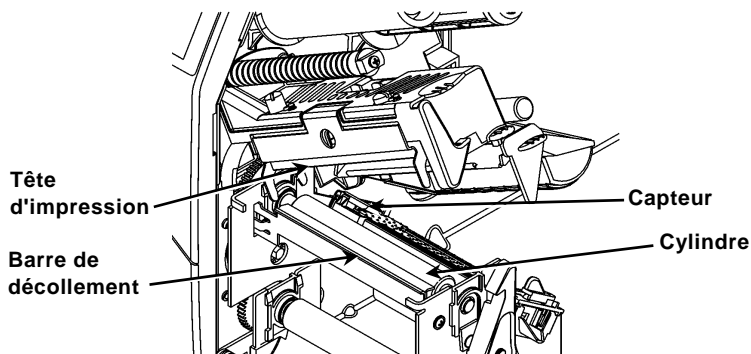
12. Tendez le ruban en tournant la bobine réceptrice dans le sens des aiguilles d'une montre.
13. Maintenez le mécanisme de la tête d'impression par sa languette tout en appuyant sur le dispositif de blocage.
14. Fermez la tête d'impression en exerçant une pression du pouce à l'emplacement prévu à cet effet jusqu'à ce que vous entendiez un dé clic.
15. Fermez-la. Fermez le couvercle de l'imprimante.
16. Appuyez sur **FEED** (Avance).

Nettoyage

Vous **devez** nettoyer l'imprimante comme décrit pour en préserver la durée de vie utile.

Attention : **N'utilisez pas** d'objets pointus pour nettoyer la tête d'impression et ne touchez pas cette dernière avec vos doigts. Cela risquerait d'endommager l'imprimante et d'entraîner des frais d'entretien supplémentaires.

1. Mettez l'imprimante hors tension et ouvrez le couvercle et le mécanisme de la tête d'impression.
2. Retirez le rouleau d'étiquettes et le ruban (lors du nettoyage de la tête d'impression).
3. Appuyez sur les languettes du couvercle de sortie pour ouvrir ce dernier.
4. Pour enlever la poussière et les particules déposées sur le capteur, vaporisez de l'air comprimé.
5. Servez-vous de l'article CLEAN-STRIP (n° de référence 120350) pour nettoyer et enlever l'accumulation d'adhésif sur le cylindre, la barre de décollement, le capteur et la tête d'impression.



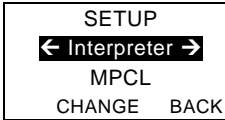
6. Laissez sécher l'imprimante, puis rechargez les étiquettes.
7. Fermez le couvercle de sortie.
8. Fermez le mécanisme de la tête d'impression et le couvercle de l'imprimante.
9. Mettez l'imprimante sous tension. Appuyez sur **FEED** (Avance).

Sélection de l'interpréteur

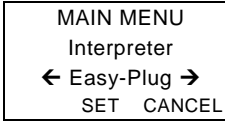
L'imprimante 9906 comprend quatre options d'interpréteur: MPCL, MLI, WMS XML et Easy-Plug. Pour plus d'informations sur MLI, consultez le *Manuel de référence rapide de MLI*; pour plus d'informations sur WMS XML, consultez le *Manuel de référence rapide de XML*; pour plus d'informations sur Easy-Plug, consultez le *Manuel d'Easy-Plug* inclus sur le CD-ROM.

Dans le menu principal, choisissez Configurer, puis:

1. Appuyez sur ← ou sur → jusqu'à ce que l'interpréteur s'affiche à l'écran.



2. Appuyez sur **CHANGE**, puis sur → jusqu'à ce qu'Easy-Plug s'affiche à l'écran.



3. Appuyez sur **SET** pour enregistrer votre modification.
 - ◆ L'imprimante redémarre automatiquement après la sélection d'un interpréteur. Cette opération peut prendre plusieurs secondes.
 - ◆ Lorsque vous imprimez des étiquettes de test en ayant configuré MLI comme interpréteur, le numéro du modèle affiché est **M9906MLI**.
 - ◆ Lorsque vous imprimez des étiquettes de test en ayant configuré Easy-Plug comme interpréteur, le numéro du modèle affiché est **M9906EP**.

RFID (si installé)

L'imprimante 9906 avec RFID a été conçue pour programmer (coder) une étiquette d'identification par radiofréquence (couramment appelée « étiquette RFID ») avant impression du format de l'étiquette. Les étiquettes RFID contiennent une incrustation RFID (puce et antenne).

La technologie RFID est uniquement disponible dans les consommables de type pré-découpés ou Black Mark.

L'imprimante prend en charge le codage multi-protocole Class 1 Generation 2 (C1Gen2).



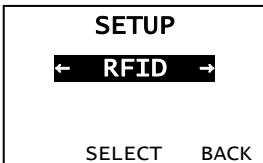
Les consommables RFID sont sensibles à l'électricité statique, qui peut les endommager. Mettez-vous à la terre en touchant une pièce en métal, comme le socle métallique de l'imprimante, avant de manipuler les consommables.

La radio fonctionne dans la plage de fréquences de 902 à 928 MHz conformément aux règles et réglementations de la FCC.

Menu RFID Setup (Configuration RFID)

Utilisez le menu RFID Setup (Configuration RFID) pour Read Tag (Lire une étiquette), Set RF Power (Régler la puissance RF) et Clear Data (Effacer les données).

L'option de menu Read Tag (Lire une étiquette) vous permet de lire les données EPC programmées dans l'étiquette RFID.



Pour régler le niveau de puissance RF, reportez-vous au *RFID Web Setup Utility* à <http://www.servisource1.com/prutil/rfidsetup>.

L'imprimante enregistre le nombre d'étiquettes dont la programmation a réussi ou échoué. Effacez cet enregistrement en utilisant l'option de menu Clear Data (Effacer les données). Selon votre application et le volume d'étiquettes imprimées, vous pourrez décider d'effacer ces données chaque jour ou après chaque lot.

Pour accéder aux paramètres RFID, à partir de Main Menu (Menu principal), sélectionnez Setup (Configuration), puis RFID.

Si l'étiquette RFID n'est pas programmable pour une raison quelconque, il est possible qu'elle s'imprime avec un motif de surimpression, indiquant qu'elle ne doit pas être utilisée. Votre administrateur système devra définir la mesure corrective appropriée.

Si vous voyez s'afficher les erreurs RFID (740 à 749), consultez votre administrateur système.

Pour plus d'informations, reportez-vous au *Manuel de l'opérateur* et aux *Notes d'application*.

Dépannage

Cette section présente les problèmes couramment rencontrés et la solution correspondante.

Problème	Solution
Un message d'erreur s'affiche lors de la mise en route.	Mettez l'imprimante hors tension, attendez une quinzaine de secondes, puis rallumez-la. Si le message d'erreur réapparaît, contactez le service clientèle.
L'imprimante n'imprime pas.	Vérifiez l'approvisionnement en étiquettes et le ruban, envoyez un paquet de formats et de lots corrigés.
Problème d'alimentation de l'imprimante.	Réglez les cadrans à pression de la tête d'impression.
Impression partielle des données.	Nettoyez la tête d'impression, envoyez un paquet de format corrigé.
Impression trop claire/trop foncée, impression d'ombres ou d'espaces vides.	Nettoyez la tête d'impression, remplacez les étiquettes, réglez le contraste d'impression, vérifiez les cadrans à pression de la tête, vérifiez le ruban.
Pas de lecture des codes à barres en série.	Laissez la tête d'impression déverrouillée lorsqu'elle n'est pas en service, utilisez une vitesse d'impression de 2,5 pps, réglez le contraste d'impression.
La bande est enroulée autour du cylindre ou du rouleau de décollement.	Retirez délicatement la bande. Veillez à ce qu'elle se déchire sur le bord coupant dentelé en mode de recul ou de décollement.
L'imprimante ne lit ou ne programme pas l'étiquette RFID.	Consultez votre administrateur système

Erreurs courantes

Erreur	Description/Solution
002	Le nom doit comprendre entre 1 et 8 caractères placés entre guillemets.
005	Largeur d'étiquette incorrecte.
018	Sélection de page de code incorrecte.
025	Longueur des données trop élevée.
101	Format auquel renvoie le lot non placé en mémoire.
400	Caractère incorrect après {.
403	Séparateur de champ introuvable.
409	Mémoire de l'imprimante saturée. Supprimez les éléments inutilisés.
410	Différence de parité.
411	Erreur de débit (vitesse en bauds différente).
412	Erreur de contrôle de flux.
413	Mémoire tampon de réception saturée. Vérifiez le contrôle de flux.
611	Police, code à barres ou densité du lot ne convenant pas au format.
612	Données de lot introuvables ou ne correspondant pas au format.
613	Point de référence hors étiquette.
614	Portion du champ hors étiquette ou caractère incorrect dans le paquet.
703	Détection par l'imprimante d'un calibrage de marques noires de tailles différentes. Assurez-vous que le bon type d'étiquettes est chargé.
704	L'imprimante n'a pas détecté de repère de lecture au moment attendu ou elle est à cours d'étiquettes. Assurez-vous que l'imprimante est réglée sur le type d'étiquettes approprié. Réapprovisionnez l'imprimante en étiquettes. Nettoyez le capteur.
751	L'imprimante n'a pas détecté de repère noir à l'endroit attendu. Appuyez sur ESCAPE (Echap) pour continuer l'impression. Rechargez des étiquettes.
752	L'imprimante a détecté un repère de lecture mal placé.
753	L'imprimante a détecté un repère de lecture trop long.
754	Soit il s'agit d'un bourrage de ruban soit le ruban a besoin d'être retendu. Installez un nouveau ruban.
755	La tête d'impression est ouverte. Fermez-la.
756	Chargez des étiquettes et/ou nettoyez le capteur.
757	Réapprovisionnez l'imprimante en étiquettes (longueur des étiquettes incorrecte). Appuyez sur FEED (Avance).
758	Les étiquettes n'ont pas été détectées, le capteur d'étiquettes à l'unité ne fonctionne pas ou une étiquette a été retirée trop rapidement. Vérifiez qu'il n'y a pas de bourrage ou rechargez des étiquettes.
763	En attente de récupération d'étiquette. Appuyez sur FEED (Avance).
765	La tête d'impression compte moins de 8 mauvais points et peut déplacer les champs de codes à barres pour continuer l'impression. Appuyez sur ESCAPE (Echap) pour continuer l'impression.
768	La tête d'impression compte plus de 8 mauvais points ou elle n'est pas connectée. Connectez ou remplacez la tête d'impression.

Erreurs RFID

Pour de plus amples informations, consultez les *Notes d'application RFID*. Pour plus d'informations, consultez votre administrateur système. L'imprimante ne se recalibre **pas** (avancée d'une étiquette vierge) après une erreur RFID quelconque.

Erreur	Description/mesure corrective
052	Le type de données dans le champ de données RFID doit être 0, 1, 2 ou 3.
226	Ligne d'enregistrement de règle xx. L'appareil de téléchargement est incorrect.
228	L'identifiant de classe de mémoire est incorrect.
229	Le pseudo-code binaire est incorrect.
230	Le code de verrouillage est incorrect.
715	Invalid data length/data mismatch dans le champ de données RFID (Longueur des données non valide/non-concordance de données). Cette erreur se produit également en présence d'une erreur dans les champs de données Expanded C1Gen2.
740	Command, hardware, inventory, or memory allocation error (Erreur de commande, matériel, inventaire ou mémoire). Il existe peut-être une erreur d'allocation de mémoire ou de matériel RFID.
741	RFID tag missing (Étiquette RFID manquante) - n'a pas été trouvée dans zone à l'intérieur de l'imprimante où l'étiquette RFID est programmée. Vérifiez le chargement de consommable. Assurez-vous que l'étiquette RFID ne s'est pas déplacée en dehors de la plage programmable.
742	Tag erase failed (Échec d'effacement d'étiquette). L'étiquette RFID a été détectée dans le champ RF, mais elle n'a pas pu être effacée.
743	Program tag failed (Échec de programmation d'étiquette). L'étiquette RFID a été détectée dans le champ RF, mais elle n'a pas pu être programmée.
744	Tag locked fail (Échec de verrouillage d'étiquette). Il est impossible de programmer l'étiquette RFID, car elle est déjà verrouillée.
746	Lock tag fail (Échec de verrouillage d'étiquette). L'étiquette RFID n'a pas été verrouillée pour empêcher une reprogrammation.
747	Time out failure (Échec pour dépassement de délai d'activation). Une commande RFID (lecture, programmation, etc.) ne s'est pas exécutée dans le délai imparti.
748	Invalid data length/data mismatch from RFID interrogator module (Longueur des données non valide/non-concordance de données issues du module interrogateur RFID). Le module interrogateur RFID a détecté un problème au niveau des données reçues de l'imprimante.
749	RFID Verify Fail (Échec de vérification RFID). Le processus de vérification RFID a échoué après écriture (programmation) de l'étiquette.

KURZANLEITUNG

Diese *Kurzanleitung* enthält Anweisungen zum Einlegen von Druckmaterial sowie zur allgemeinen Pflege und Wartung des Druckers Monarch® 9906. Detailliertere Informationen finden Sie im *Operator's Handbook (Bedienerhandbuch)* auf unserer Website (www.monarch.com). Informationen zum Erstellen von Formaten, Konfigurieren oder Programmieren des Druckers finden Sie im *Packet Reference Manual* auf unserer Website.

Lesen Sie die Sicherheitshinweise im Dokument *Einhaltung gesetzlicher Bestimmungen*, das Ihrem Drucker beiliegt. Die Informationen in diesem Dokument ersetzen alle Informationen aus früheren Versionen. Sehen Sie auf unserer Website nach der aktuellen Dokumentation und den neuesten Versionsinformationen.

Anschließen der Kabel

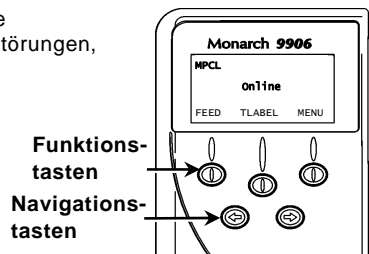
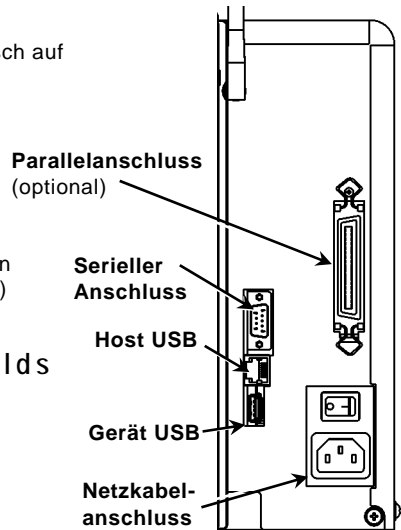
Die Stromversorgung stellt sich automatisch auf 115 V oder 230 V ein

1. Stecken Sie das Netzkabel in die Steckdose am Gerät und das andere Ende in eine geerdete Steckdose.
2. Stecken Sie das Datenkabel in den entsprechenden Anschluss am Gerät.
3. Schalten Sie den Drucker ein. Drücken Sie zum Einschalten des Druckers (I) und zum Ausschalten (O).

Verwendung des Bedienfelds

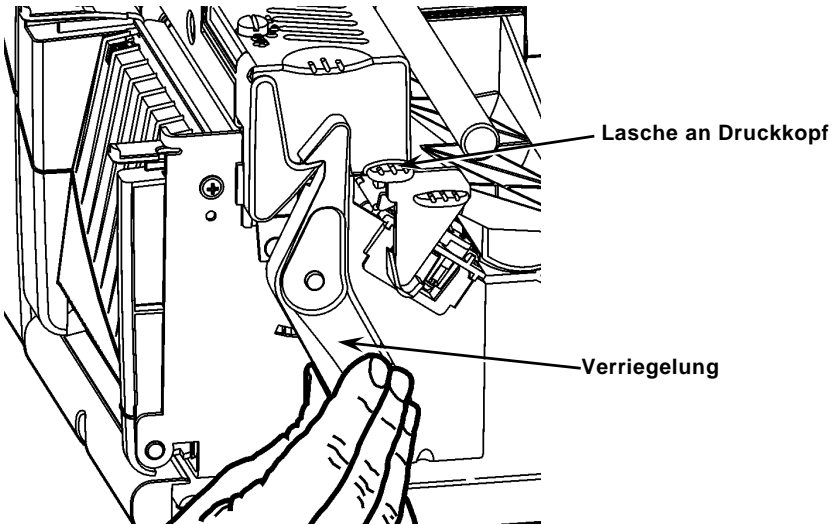
Das Bedienfeld besteht aus einer vierzeiligen LCD-Anzeige, drei Funktionstasten und zwei Navigationstasten. Die Funktion der einzelnen Tasten richtet sich nach dem jeweiligen Vorgang. Die LCD-Anzeige:

- ◆ Gibt den Stromversorgungsstatus an, wenn Text oder andere Informationen angezeigt werden.
- ◆ Zeigt Bedingungen an, die eine sofortige Reaktion erfordern (Batterie schwach, Störungen, Fehler). Der Anzeigehintergrund ist rot.
- ◆ Zeigt Menüeinträge, Druckereinstellungen, Funktionstastenzuweisungen, Werte usw.

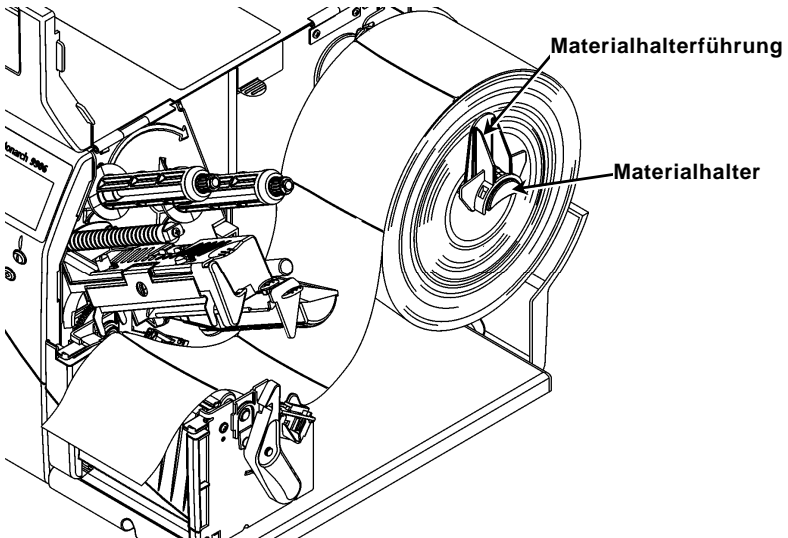


Einlegen von Etiketten oder Tags

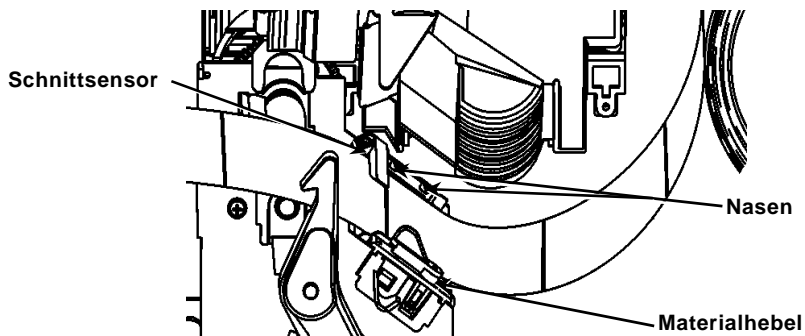
1. Öffnen Sie die Abdeckung.
2. Entriegeln Sie den Druckkopf durch Drehen der Verriegelung.



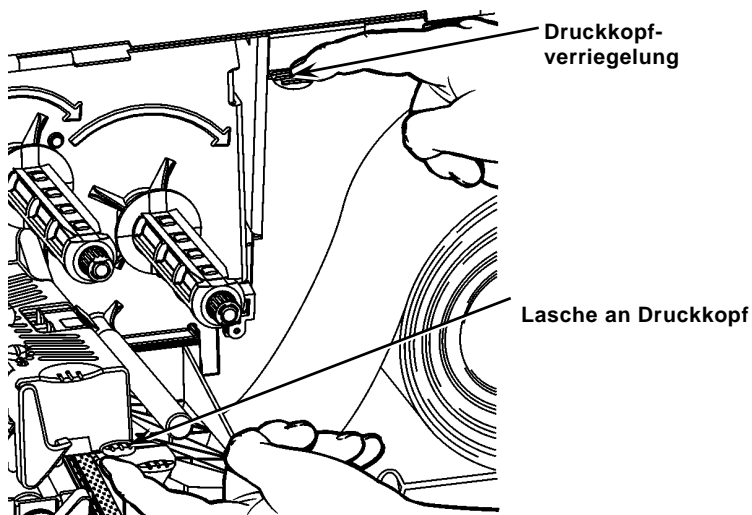
3. Heben Sie die Druckkopfbaugruppe an der Lasche an, bis die Baugruppe einrastet.
4. Setzen Sie die Materialrolle in den Materialhalter ein, der sich im Druckerinneren befindet.
5. Stellen Sie die Materialhalterführung so ein, dass sie die Rolle kaum berührt und sich die Materialrolle ungehindert drehen kann.



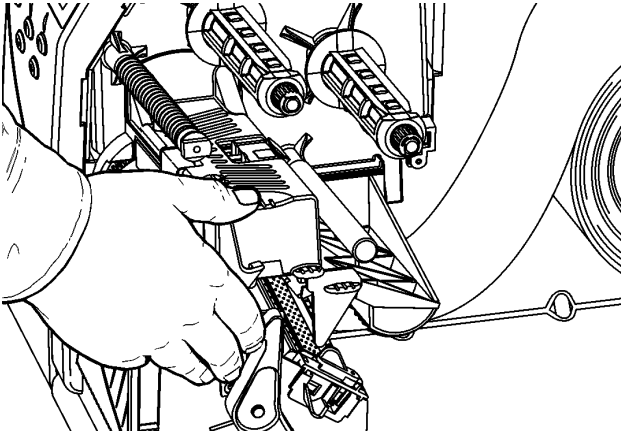
6. Drücken Sie den Materialhebel nach unten, um die Materialführung zu lösen.
7. Legen Sie den Etikettenstreifen so auf die Materialführung, dass einige Zentimeter vorne aus dem Drucker herausragen.
8. Schieben Sie das Material unter die Nasen und zwischen die Schnittsensoren.
9. Stellen Sie die Materialführung so ein, dass sie das Material kaum berührt. Drücken Sie den Materialhebel nach oben, um die Materialführungen zu verriegeln.



10. Halten Sie die Druckkopfbaugruppe an der Lasche fest, während Sie gleichzeitig die Druckkopfverriegelung drücken.



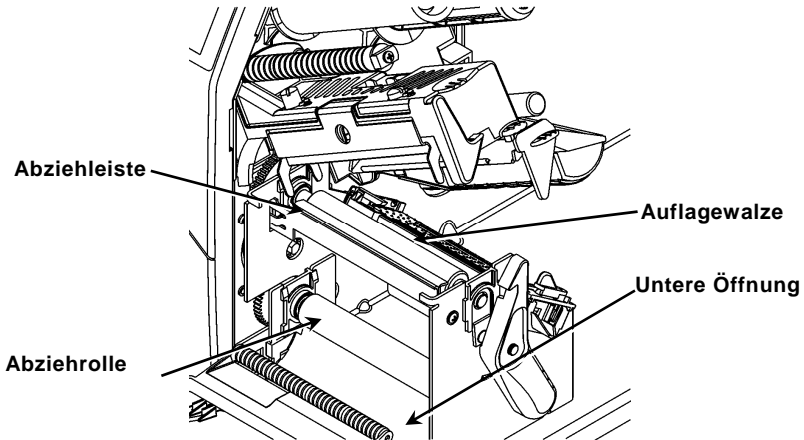
11. Schließen Sie den Druckkopf, indem Sie auf die Daumenmulde drücken, bis er hörbar einrastet.



12. Schließen Sie die Druckerabdeckung.
13. Drücken Sie **FEED** (Vorschub).

Einlegen von Etiketten für den optionalen Abzieh-Modus

1. Ziehen Sie auf den ersten 254 mm der Rolle die Etiketten vom Trägermaterial ab.
2. Drücken Sie die Ausgabeabdeckungsglaschen nach unten, um die Ausgabeabdeckung zu öffnen.
3. Führen Sie das Trägermaterial über die Abziehleiste, entlang der Rinne und aus der unteren Öffnung in der Ausgabeabdeckung heraus.



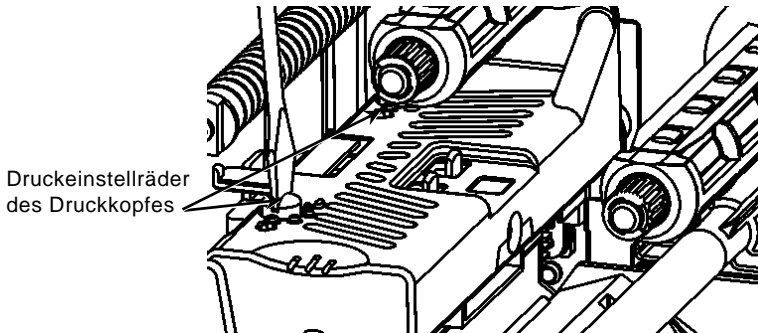
4. Schließen Sie die Ausgabeabdeckung.
5. Schließen Sie die Druckerabdeckung.
6. Drücken Sie **FEED** (Vorschub).

Weitere Möglichkeiten zum Einlegen von Verbrauchsmaterial entnehmen Sie bitte dem *Operator's Handbook*.

Regulieren der Druckeinstellräder des Druckkopfes

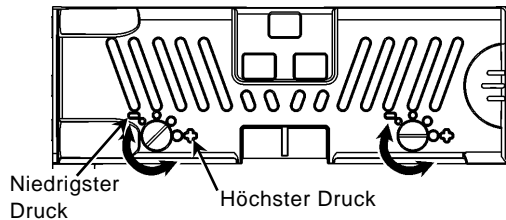
Die Standardeinstellung ist diejenige mit dem geringsten Druck, die in den meisten Fällen ein optimales Druckergebnis gewährleistet. Bei Schmieren, zerknittertem Farbband oder geringer Druckqualität müssen Sie möglicherweise die Druckeinstellräder des Druckkopfes regulieren.

Die zwei Räder befinden sich an den beiden Rändern der Druckkopfbaugruppe (innen und außen). Die Räder können auf zwei unterschiedliche Positionen eingestellt werden; das innere Rad sollte jedoch auf den gleichen oder einen höheren Druck als das äußere eingestellt sein. Bei Verwendung von Material mit einer Breit von 4 Zoll sollten beide Räder auf denselben Druck eingestellt sein. Stellen Sie die Räder mit einer Münze oder einem Schlitzschraubendreher ein.



Jedes Rad verfügt über vier Einstellungen:

- ◆ Niedrigster Druck
- ◆ Geringer Druck
- ◆ Mittlerer Druck
- ◆ Höchster Druck

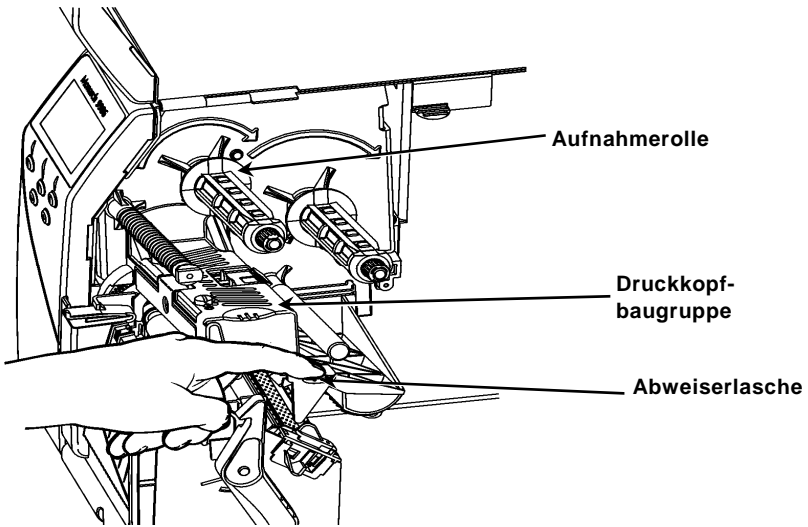


Drucken Sie zur Prüfung der Druckeinstellung des Druckkopfes ein Probeetikett; passen Sie den Druck bei Bedarf an. Weitere Informationen finden Sie im *Bedienerhandbuch*.

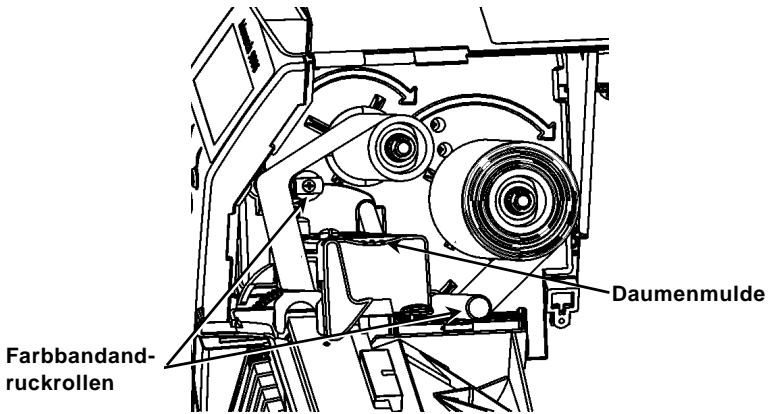
Einlegen eines Farbbands

1. Öffnen Sie die Abdeckung.
2. Entriegeln Sie den Druckkopf durch Drehen der Druckkopfverriegelung.
3. Heben Sie die Druckkopfbaugruppe an der Lasche an, bis die Baugruppe einrastet.

4. Drücken Sie die Abweiserlasche nach unten.



5. Ziehen Sie den zusätzlichen Farbbandkern bis zum Anschlag auf die Aufnehmerolle.
6. Nehmen Sie das neue Farbband aus der Verpackung.
7. Schieben Sie das Farbband bis zum Anschlag auf die hintere Rolle. Wickeln Sie von unten vorsichtig ein paar Zentimeter von der Bandrolle ab.
8. Führen Sie das Band vorsichtig unter beiden Farbbanddruckrollen und dem Druckkopf hindurch.



9. Vergewissern Sie sich, dass das Farbband gerade und mittig in der Führung verläuft.
10. Befestigen Sie das Farbband mit Klebeband am Aufnahmekern.
11. Drehen Sie den Aufnahmekern, bis sich der Bandanfang hinter dem Druckkopf befindet.
12. Drehen Sie die Aufnehmerolle im Uhrzeigersinn, um das Farbband zu straffen.
13. Halten Sie die Druckkopfbaugruppe an der Lasche fest, während Sie gleichzeitig auf die Druckkopfverriegelung drücken.

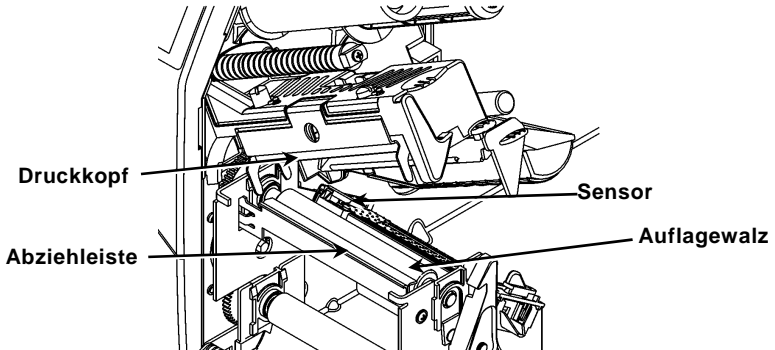
14. Schließen Sie den Druckkopf, indem Sie auf die Daumenmulde drücken, bis er hörbar mit einem Klicken einrastet.
15. Schließen Sie den Druckkopf. Schließen Sie die Druckerabdeckung.
16. Drücken Sie **FEED** (Vorschub).

Reinigung

Sie **müssen** den Druckkopf wie beschrieben reinigen, um seine Funktionsfähigkeit zu erhalten.

Vorsicht: **keine** scharfkantigen Gegenstände und berühren Sie diesen nicht mit den Fingern. Der Druckkopf kann dadurch beschädigt werden, wodurch eine kostenpflichtige Reparatur erforderlich werden kann.

1. Schalten Sie den Drucker aus und öffnen Sie die Abdeckung und die Druckkopfbaugruppe.
2. Nehmen Sie die Etikettenrolle und das Farbband heraus (zum Reinigen des Druckkopfs).
3. Drücken Sie die Ausgabeabdeckungsclipsen nach unten, um die Ausgabeabdeckung zu öffnen.
4. Entfernen Sie Staub und Partikel mit Druckluft vom Sensor.
5. Entfernen Sie Klebstoffrückstände mit CLEAN-STRIP (Teilenummer 120350) von der Auflagewalze, der Abziehleiste, dem Sensor und dem Druckkopf.



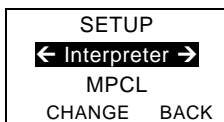
6. Lassen Sie den Drucker vollständig trocknen und legen Sie dann wieder Material ein.
7. Schließen Sie die Ausgabeabdeckung.
8. Schließen Sie die Druckkopfbaugruppe und die Druckerabdeckung.
9. Schalten Sie den Drucker ein. Drücken Sie **FEED** (Vorschub).

Wahl des Interpreters

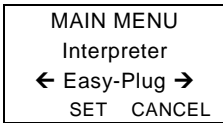
Der Drucker 9906 bietet vier Interpreter-Optionen; MPCL, MLI, WMS XML und Easy-Plug. Weitere Informationen zu MLI entnehmen Sie bitte dem Dokument *MLI Quick Reference*, weitere Informationen zu WMS XML dem Dokument *XML Quick Reference* und weitere Informationen zu Easy-Plug dem Dokument *Easy-Plug Manual* auf der CD.

Wählen Sie im Hauptmenü zuerst Setup (Einrichten) dann:

1. Drücken Sie **←** oder **→**, bis Interpreter in der Anzeige erscheint.



2. Drücken Sie **CHANGE** (Ändern), dann →, bis Easy-Plug in der Anzeige erscheint.



3. Drücken Sie **SET** (Einstellen), um die Änderung zu speichern.
- ◆ Der Drucker wird nach der Wahl eines Interpreters automatisch neu gestartet. Dies kann einige Sekunden dauern.
 - ◆ Wenn MLI als Interpreter gewählt ist und Sie Testetiketten drucken, wird die Modellnummer als **M9906MLI** angezeigt.
 - ◆ Wenn Easy-Plug als Interpreter gewählt ist und Sie Testetiketten drucken, wird die Modellnummer als **M9906EP** angezeigt.

RFID (sofern installiert)

Der Drucker 9906 mit RFID wurde so konstruiert, dass ein RFID-Etikett (Radio Frequency Identification; auch „RFID-Tag“) programmiert (kodiert) werden kann, bevor das Format des Etiketts gedruckt wird. RFID-Tags enthalten einen eingebetteten RFID-Chip mit einer Antenne (Inlay).

RFID ist nur für Material mit Stanzung oder schwarzer Markierung geeignet.

Der Drucker unterstützt die Protokollkodierung Klasse 1 Generation 2 (C1Gen2).



RFID-Materialien können durch elektrostatische Entladungen beschädigt werden. Erden Sie sich vor der Handhabung der Materialien selbst, indem Sie eine Metall-Oberfläche berühren wie z. B. den Metallrahmen des Druckers.

Der UHF-Sender sendet im Einklang mit den FCC-Bestimmungen im Frequenzbereich 902 - 928 MHz.

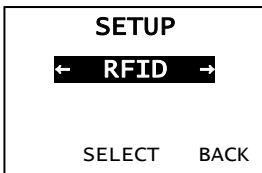
RFID-Einrichtungsmenü

Über das RFID-Einrichtungsmenü können Sie Tags lesen, die HF-Leistung einstellen und Daten löschen.

Der Menübefehl „Read Tag“ (Tag lesen) dient zum Lesen der im RFID-Tag programmierten EPC-Daten.

Beziehen sich auf die RFID Web Setup Utility auf

<http://www.servisource1.com/prnutil/rfidsetup> die RF Power Einstellung.



Die Anzahl der erfolgreichen und fehlgeschlagenen Tag-Programmierungen wird im Drucker gespeichert. Zum Löschen dieses Protokolls klicken Sie auf den Menübefehl „Clear Data“ (Daten löschen). In Abhängigkeit von der Anwendung und der Menge der gedruckten Etiketten, sollten diese Daten eventuell täglich oder nach jeder Stapelverarbeitung gelöscht werden.

Zum Aufrufen der Einstellung wählen Sie zuerst im Hauptmenü „Setup“ und dann „RFID“.

Wenn das RFID-Tag nicht programmiert werden kann, wird das Etikett möglicherweise mit einem Überschreiben-Muster gedruckt, um anzuzeigen, dass

dieses Etikett nicht zu verwenden ist. Ihr Systemadministrator sollte die gewünschte Fehleraktion entsprechend einstellen.

Werden die RFID-Fehler 740 - 749 gemeldet, wenden Sie sich an Ihren Systemadministrator.

Weitere Informationen entnehmen Sie bitte den Dokumenten *Operator's Handbook* und *Application Notes*.

Fehlersuche

In diesem Abschnitt sind typische Funktionsstörungen und ihre Behebung aufgeführt.

Problem	Maßnahme
Beim Einschalten/Startvorgang wird eine Fehlermeldung angezeigt.	Schalten Sie den Drucker aus, warten Sie 15 Sekunden und schalten Sie den Drucker wieder ein. Tritt die Fehlermeldung erneut auf, wenden Sie sich an den Kundendienst.
Druckt nicht.	Prüfen Sie Druckmaterial und Farbband, senden Sie ein korrigiertes Format- und Stapelpaket.
Material wird nicht eingezogen.	Regulieren Sie die Druckeinstellräder des Druckkopfes.
Daten werden nur teilweise gedruckt.	Reinigen Sie den Druckkopf, senden Sie ein korrigiertes Formatpaket.
Druckbild ist zu hell/zu dunkel, enthält Schatten oder Aussetzer.	Reinigen Sie den Druckkopf, wechseln Sie das Material, stellen Sie den Druckkontrast ein, prüfen Sie die Druckeinstellräder des Druckkopfes, prüfen Sie das Farbband.
Serielle Strichcodes werden nicht gescannt.	Lassen Sie den Druckkopf unverriegelt, wenn er nicht in Gebrauch ist; verwenden Sie eine Druckgeschwindigkeit von 6,35 cm/s (2,5 IPS), stellen Sie den Druckkontrast ein.
Trägermaterial wickelt sich um Druckwalze oder Abziehrolle.	Entfernen Sie vorsichtig das Trägermaterial. Stellen Sie sicher, dass das Trägermaterial an der gezahnten Abrisskante abgerissen wird, wenn Rückführung und Abzieh-Modus verwendet werden.
Der Drucker liest oder programmiert das RFID-Tag nicht.	Wenden Sie sich an Ihren Systemadministrator.

Häufig vorkommende Fehler

Fehler	Beschreibung/Aktion
002	Der Name muss zwischen 1 und 8 Zeichen lang sein und in Anführungszeichen stehen.
005	Ungültige Materialbreite.
018	Ungültige Codeseitenauswahl.
025	Max. Datenlänge überschritten.
101	Vom Stapel angefordertes Format ist nicht im Speicher.
400	Ungültiges Zeichen nach {.
403	Feldtrennzeichen nicht gefunden.
409	Druckerspeicher ist voll. Nicht gebrauchte Objekte löschen.
410	Keine Paritäts-Übereinstimmung.
411	Datenblockfehler (Baud-Rate stimmt nicht überein).
412	Keine Flusststeuerungs-Übereinstimmung.
413	Online-Empfangspuffer ist voll. Prüfen Sie die Flusststeuerung.
611	Schriftart, Strichcode oder Dichte im Stapel entsprechen nicht dem Format.
612	Daten in dieser Zeile des Stapels fehlen oder entsprechen nicht dem Format.
613	Referenzpunkt liegt außerhalb des Materials.
614	Teil des Felds liegt außerhalb des Materials oder das Paket enthält ein ungültiges Zeichen.
703	Der Drucker hat eine Kalibrierung von unterschiedlich großen schwarzen Markierungen festgestellt. Vergewissern Sie sich, dass der richtige Materialtyp eingelegt ist.
704	Der Drucker hat eine erwartete Materialmarkierung nicht gefunden oder es ist kein Material mehr vorhanden. Vergewissern Sie sich, dass der Drucker auf den richtigen Materialtyp eingestellt ist. Legen Sie Material nach. Reinigen Sie den Sensor.
751	Der Drucker hat eine erwartete schwarze Markierung nicht gefunden. Drücken Sie ESCAPE (/Löschen), um den Druckvorgang fortzusetzen. Wechseln Sie das Material.
752	Der Drucker hat eine Markierung an der falschen Stelle gefunden.
753	Der Drucker hat eine zu lange Markierung gefunden.
754	Prüfen Sie auf einen Farbbandstau oder straffen Sie das Farbband. Legen Sie ein neues Farbband ein.
755	Druckkopf ist offen. Schließen Sie den Druckkopf.
756	Legen Sie Material ein und/oder reinigen Sie den Sensor.
757	Material einlegen (falsche Materiallänge). Drücken Sie FEED (Vorschub).
758	Das Material kann nicht erkannt werden, der Einzeleinzug-Sensor ist defekt oder ein Etikett wurde zu schnell entfernt. Überprüfen Sie, ob ein Materialstau vorliegt, oder legen Sie das Material neu ein.
763	Wartet auf Ausgabe eines Etiketts. Drücken Sie FEED (Vorschub).
765	Der Druckkopf hat weniger als 8 fehlerhafte Punkte und kann Strichcodefelder verschieben, um fehlerhafte Punkte zu vermeiden. Drücken Sie ESCAPE (Löschen), um den Druckvorgang fortzusetzen.
768	Der Druckkopf hat mehr als 8 fehlerhafte Punkte oder ist nicht abgeschlossen. Schließen Sie den Druckkopf an oder tauschen Sie ihn aus.

Fehler RFID

Weitere Informationen siehe unter *Hinweisen zur RFIDMP-Anwendung*. Weitere Informationen erhalten Sie vom Systemadministrator. Der Drucker führt nach einem RFID-Fehler keine Neukalibrierung (Einzug eines leeren Etiketts) durch.

Fehler	Beschreibung/Maßnahme
052	Der Datentyp im RFID-Datenfeld ist ungültig.
226	Rule Record Line xx. (Regel Datensatz Zeile xx). Das Gerät zum Hochladen ist ungültig.
228	Speicherklassenkennung ist ungültig.
229	Ungültiger Byte-Code..
230	Ungültiger Sperrcode.
715	Ungültige Datenlänge/Datenfehler. Die Länge der Daten im RFID-Datenfeld ist ungültig oder der ausgewählte Datentyp und die tatsächlich eingegebenen Daten stimmen nicht überein. Dieser Fehler tritt auch dann auf, wenn in den Expanded C1Gen2-Feldern ein Fehler vorliegt.
740	Command, hardware, inventory, or memory allocation error. (Fehler bei Befehlen, Hardware, Bestand oder Speicherzuweisung) Vielleicht liegt ein Fehler bei der RFID-Hardware oder der Speicherzuweisung vor.
741	RFID tag missing. (RFID-Tag fehlt) Kein Tag im Hochfrequenzfeld. Im Hochfrequenzfeld (Bereich im Drucker, wo das RFID-Tag programmiert wird) wurde kein RFID-Tag festgestellt. Material im Drucker prüfen. Falls Sie die Material- oder Druckposition geändert haben, prüfen Sie, ob das RFID-Tag eventuell aus dem Programmierbereich verschoben wurde.
742	Tag erase failed. (Tag-Löschung fehlgeschlagen) Zwar wurde im Hochfrequenzfeld ein RFID-Tag gefunden, dieses konnte aber nicht gelöscht werden. Anzahl der Wiederholungen erhöhen.
743	Program tag failed. (Tag-Programmierung fehlgeschlagen) Zwar wurde im Hochfrequenzfeld ein RFID-Tag erkannt, dieses konnte aber nicht programmiert werden. Anzahl der Wiederholungen erhöhen.
744	Tag locked fail. (Tag gesperrt) Das RFID-Tag kann nicht programmiert werden, da es bereits gesperrt ist.
746	Lock tag fail. (Tag-Sperrung fehlgeschlagen) Das RFID-Tag konnte nicht gesperrt werden, um eine Neuprogrammierung zu verhindern.
747	Time out failure. (Timeout-Fehler) Ein RFID-Befehl (Lesen, Programmieren etc.) konnte nicht in der erlaubten Zeit ausgeführt werden.
748	Invalid data length/data mismatch from RFID interrogator module. (Ungültige Datenlänge/Datenfehler vom RFID Interrogator) Der RFID Interrogator hat ein Problem bei den vom Drucker gesendeten Daten festgestellt.
749	RFID Verify Fail. (RFID-Prüfung fehlgeschlagen) Die RFID-Prüfung nach dem Schreiben (Programmieren) ist fehlgeschlagen.

ΕΓΧΕΙΡΙΔΙΟ ΓΡΗΓΟΡΗΣ ΑΝΑΦΟΡΑΣ

Αυτό το *Εγχειρίδιο Γρήγορης Αναφοράς* περιλαμβάνει τις διαδικασίες φόρτωσης υλικού τροφοδοσίας και γενικής φροντίδας και συντήρησης για τον εκτυπωτή Monarch® 9906. Για πιο αναλυτικές πληροφορίες, ανατρέξτε στον *Οδηγό Λειτουργίας* που διατίθεται από τον ιστότοπο της εταιρείας μας (www.monarch.com). Για πληροφορίες σχετικά με τη δημιουργία φορμά, τη διαμόρφωση ή τον προγραμματισμό του εκτυπωτή, ανατρέξτε στο *Packet Reference Manual* στον ιστότοπο της εταιρείας μας.

Διαβάστε τις πληροφορίες ασφαλείας στο έγγραφο *Κανονιστική Συμμόρφωση* που παραλάβατε με τον εκτυπωτή σας. Οι πληροφορίες σε αυτό το έγγραφο αντικαθιστούν τις πληροφορίες των προηγούμενων εκδόσεων. Ανατρέξτε στον ιστότοπο της εταιρείας μας για την πιο πρόσφατη τεκμηρίωση και πληροφορίες έκδοσης.

Σύνδεση των καλωδίων

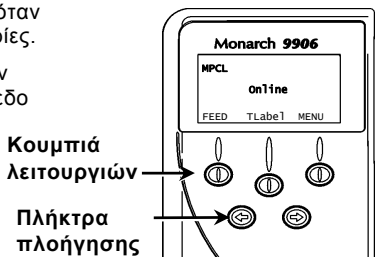
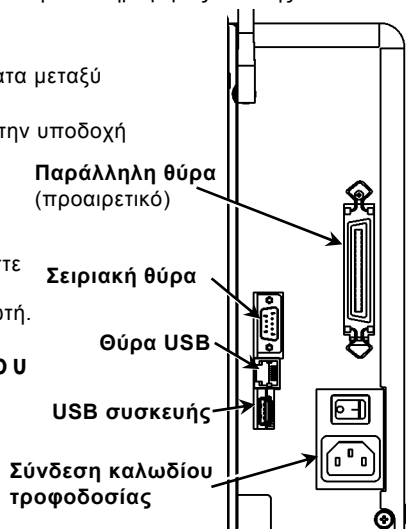
Η τροφοδοσία ισχύος εναλλάσσει αυτόματα μεταξύ 115V και 230V.

1. Συνδέστε το καλώδιο τροφοδοσίας στην υποδοχή και το άλλο άκρο σε μια γειωμένη ηλεκτρική πρίζα.
2. Συνδέστε το καλώδιο επικοινωνίας στην κατάλληλη θύρα.
3. Ενεργοποιήστε τον εκτυπωτή. Πατήστε (I) για να ενεργοποιήσετε και (O) για να απενεργοποιήσετε τον εκτυπωτή.

Χρήση του Πίνακα Ελέγχου

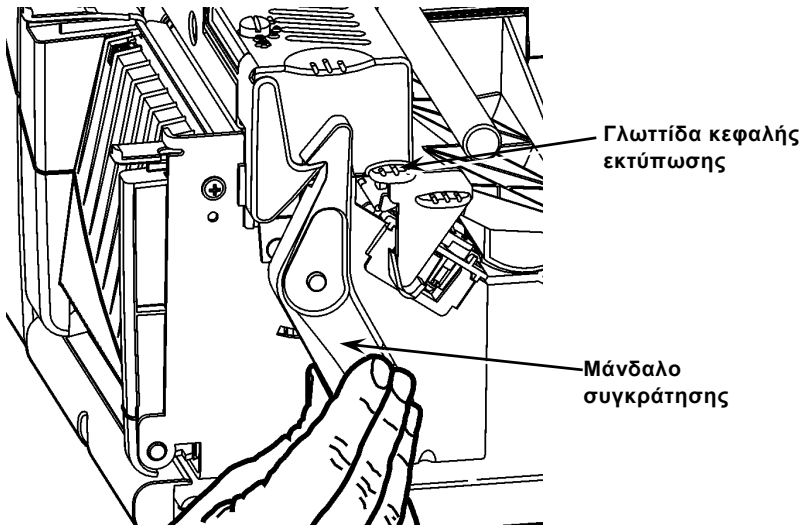
Ο πίνακας ελέγχου αποτελείται από οθόνη LCD τεσσάρων γραμμών τρία κουμπιά λειτουργιών και δύο κουμπιά πλοήγησης. Η λειτουργία κάθε κουμπιού διαφέρει ανάλογα με την εργασία. Η οθόνη LCD:

- ♦ Υποδεικνύει την ύπαρξη τροφοδοσίας όταν εμφανίζεται κείμενο ή άλλες πληροφορίες.
- ♦ Υποδεικνύει τις συνθήκες που απαιτούν την άμεση προσοχή σας (χαμηλό επίπεδο μπαταρίας, ελαττώματα, σφάλματα) έχοντας κόκκινο φόντο.
- ♦ Εμφανίζει τα αιτήματα των μενού, τις ρυθμίσεις εκτυπωτή, τις εκχωρήσεις των κουμπιών λειτουργιών, τιμές, κλπ.

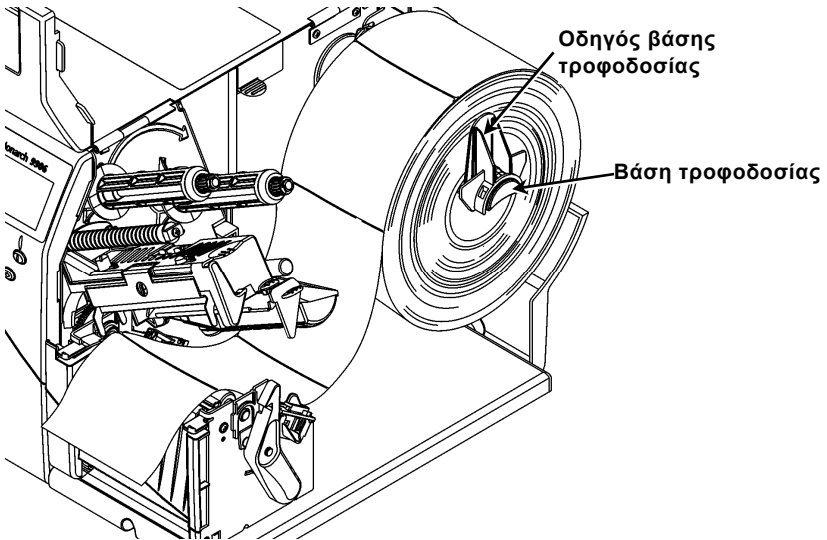


Φόρτωση ετικετών ή αυτοκόλλητων

1. Ανοίξτε το κάλυμμα.
2. Απασφαλίστε την κεφαλή εκτύπωσης στρέφοντας το μάνδαλο συγκράτησης.

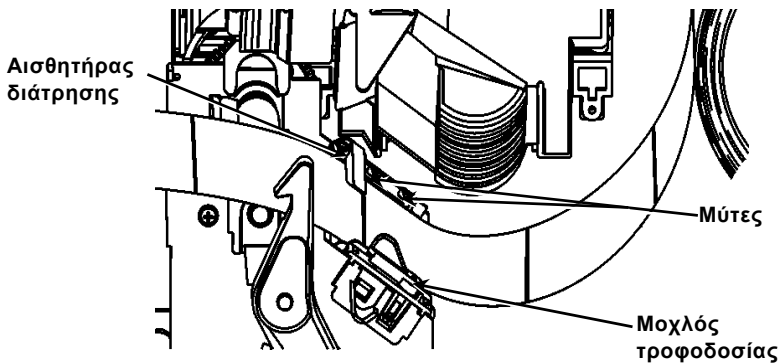


3. Ανασηκώστε τη διάταξη της κεφαλής εκτύπωσης χρησιμοποιώντας τη γλωττίδα μέχρι η διάταξη να ασφαλίσει στη θέση της.
4. Τοποθετήστε το ρολό τροφοδοσίας στη βάση του, που βρίσκεται δίπλα στο εσωτερικό του εκτυπωτή.
5. Ρυθμίστε τον οδηγό βάσης τροφοδοσίας έτσι ώστε μόλις που να αγγίζει το ρολό και βεβαιωθείτε ότι το ρολό τροφοδοσίας περιστρέφεται ελεύθερα.

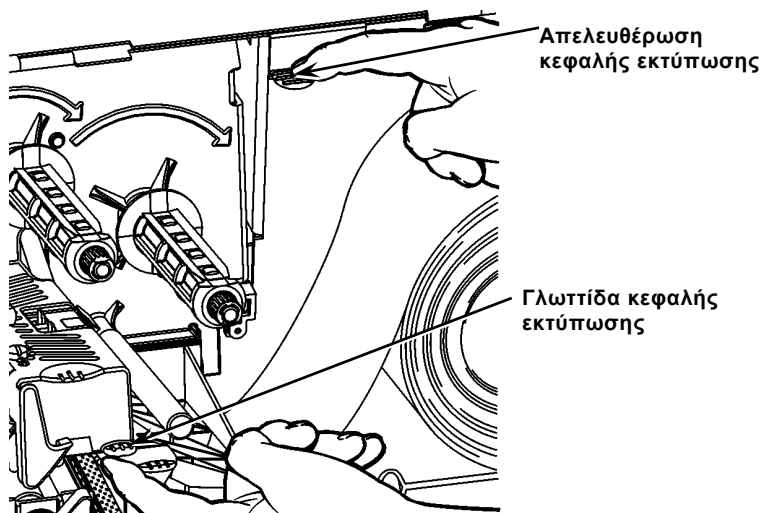


6. Πιέστε προς τα κάτω το μοχλό τροφοδοσίας για να απασφαλίσετε τον οδηγό.

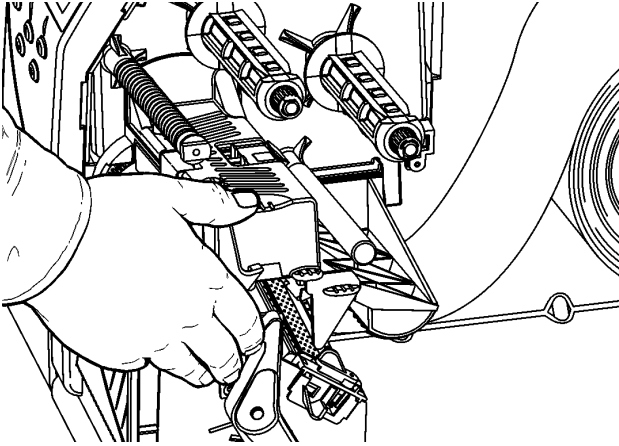
7. Τοποθετήστε τη λωρίδα ετικετών κατά μήκος του οδηγού τροφοδοσίας έτσι ώστε να προεξέχουν μόνο μερικοί πόντοι από τη μπροστινή πλευρά του εκτυπωτή.
8. Διπλώστε την τροφοδοσία κάτω από τις μύτες και μεταξύ του αισθητήρα διάτρησης.
9. Ρυθμίστε τον οδηγό τροφοδοσίας έτσι ώστε μόλις που να ακουμπάει στην τροφοδοσία. Πιέστε προς τα πάνω το μοχλό τροφοδοσίας για να ασφαλίσετε τους οδηγούς τροφοδοσίας στη θέση τους.



10. Κρατήστε τη διάταξη της κεφαλής εκτύπωσης από τη γλωττίδα της κεφαλής ενώ πιέζετε το μοχλό απελευθέρωσης της κεφαλής.



11. Κλείστε την κεφαλή εκτύπωσης πιέζοντας προς τα κάτω με το δάκτυλό σας μέχρι να ακούσετε ότι έχει ασφαλίσει στη θέση του.

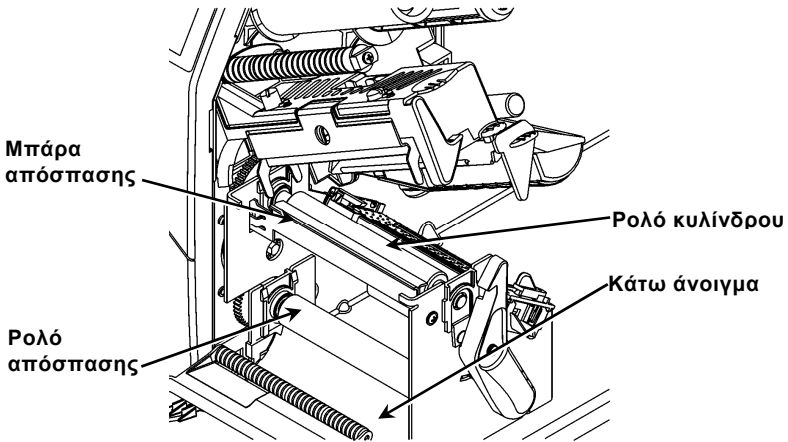


12. Κλείστε το κάλυμμα του εκτυπωτή.

13. Πατήστε το **FEED**.

Φόρτωση ετικετών για την προαιρετική λειτουργία απόσπασης

1. Αφαιρέστε τις ετικέτες από τις πρώτες 10 ίντσες του χιτώνιου.
2. Πιέστε προς τα κάτω τις γλωττίδες καλύμματος εξόδου για να ανοίξετε το κάλυμμα εξόδου.
3. Τροφοδοτήστε το χιτώνιο πάνω από τη μπάρα απόσπασης, κατά μήκος της κυλίστρας και προς τα έξω μέσω του κάτω ανοίγματος στο κάλυμμα εξόδου.



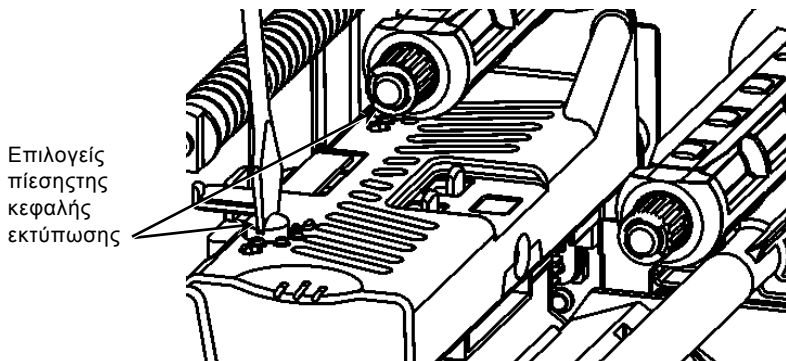
4. Κλείστε το κάλυμμα εξόδου.
5. Κλείστε το κάλυμμα του εκτυπωτή.
6. Πατήστε το **FEED**.

Για πρόσθετες επιλογές φόρτωσης υλικού τροφοδοσίας, ανατρέξτε στο *Εγχειρίδιο Χειρισμού*.

Ρύθμιση των επιλογέων πίεσης της κεφαλής εκτύπωσης

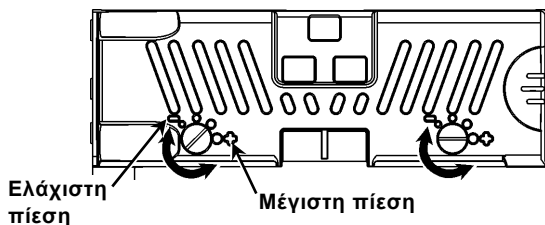
Η προεπιλεγμένη ρύθμιση είναι η ελάχιστη πίεση, η οποία στις περισσότερες περιπτώσεις παρέχει βέλτιστη εκτύπωση. Αν παρατηρήσετε μουτζούρες, ζάρωμα της κορδέλας, ή κακή ποιότητα εκτύπωσης, ενδέχεται να πρέπει να ρυθμίσετε τους επιλογείς πίεσης της κεφαλής εκτύπωσης.

Οι δύο επιλογείς βρίσκονται σε κάθε άκρο της διάταξης της κεφαλής εκτύπωσης (εσωτερικά και εξωτερικά). Μπορείτε να ρυθμίσετε τους επιλογείς σε διαφορετικές θέσεις. Ωστόσο ο εσωτερικός επιλογέας πρέπει να ισούται ή να είναι μεγαλύτερος σε πίεση από τον εξωτερικό επιλογέα. Όταν χρησιμοποιείτε τροφοδοσία πλάτους 4" και τα δύο κουμπιά πρέπει να είναι ρυθμισμένα στην ίδια πίεση. Χρησιμοποιήστε ένα νόμισμα ή ένα πλατυκέφαλο κατσαβίδι για να ρυθμίσετε τους επιλογείς.



Κάθε επιλογέας διαθέτει τέσσερις ρυθμίσεις:

- ◆ Ελάχιστη πίεση
- ◆ Μικρή πίεση
- ◆ Μεσαία πίεση
- ◆ Μέγιστη πίεση

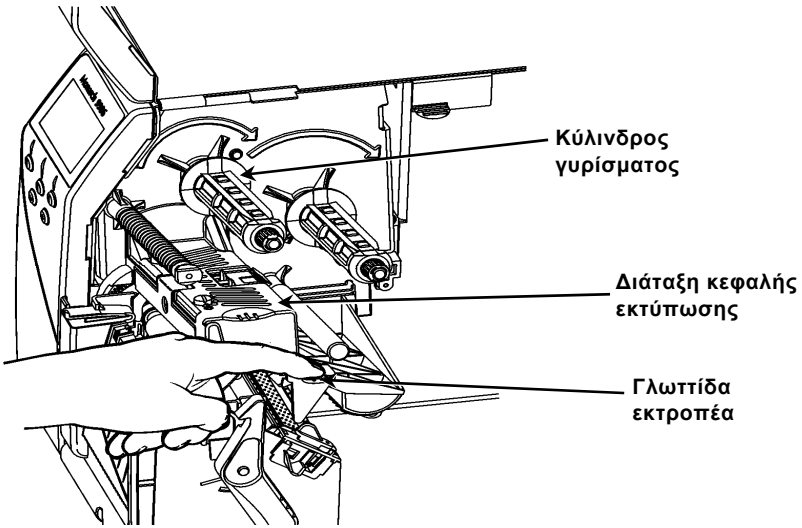


Εκτελέστε μια δοκιμαστική εκτύπωση για να ελέγξετε την πίεση της κεφαλής εκτύπωσης. Αν είναι αναγκαίο κάντε ρυθμίσεις. Ανατρέξτε στο *Εγχειρίδιο Χειρισμού* για πρόσθετες πληροφορίες.

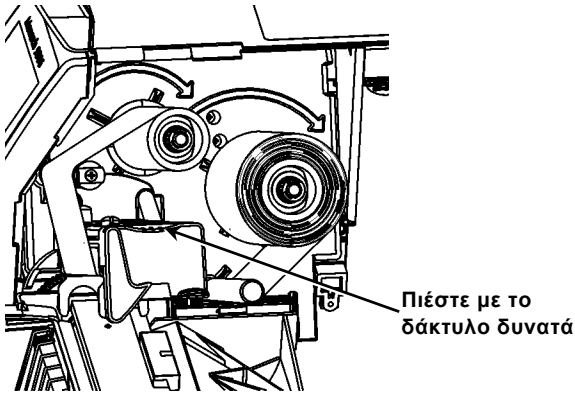
Φόρτωση ταινίας

1. Ανοίξτε το κάλυμμα.
2. Απασφαλίστε την κεφαλή εκτύπωσης στρέφοντας το μάνδαλο συγκράτησης της κεφαλής.
3. Ανασηκώστε τη διάταξη της κεφαλής εκτύπωσης χρησιμοποιώντας τη γλωττίδα μέχρι η διάταξη να ασφαλίσει στη θέση της.

4. Πιέστε προς τα κάτω τη γλωττίδα εκτροπέα.



5. Σύρετε το τμήμα πρόσθετης ταινίας στον κύλινδρο γυρίσματος μέχρι εκεί που μπορεί να φτάσει.
6. Αφαιρέστε την καινούργια ταινία από τη συσκευασία.
7. Σύρετε την ταινία σε ολόκληρη τη διαδρομή του πίσω κυλίνδρου. Με προσοχή ξετυλίξτε μερικές ίντσες από την κάτω πλευρά του ρολού της ταινίας.
8. Με προσοχή τροφοδοτήστε την ταινία κάτω και από τα δύο ρολά ταινίας και την κεφαλή εκτύπωσης.



9. Βεβαιωθείτε ότι η ταινία είναι ευθεία και κεντραρισμένη σε ολόκληρη τη διαδρομή.
10. Στερεώστε την ταινία στο σημείο γυρίσματος.
11. Περιστρέψτε το ρολό γυρίσματος μέχρι η κορυφή να περάσει από την κεφαλή εκτύπωσης.
12. Αφαιρέστε τυχόν χαλαρότητα στην ταινία στρέφοντας το ρολό γυρίσματος δεξιόστροφα.
13. Κρατήστε τη διάταξη της κεφαλής εκτύπωσης από τη γλωττίδα της κεφαλής ενώ πιέζετε προς τα κάτω στο σημείο απελευθέρωσης της κεφαλής.

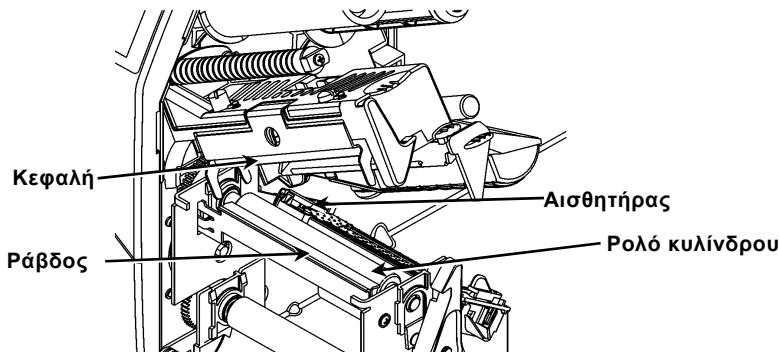
14. Κλείστε την κεφαλή εκτύπωσης πιέζοντας προς τα κάτω με το δάκτυλό σας γερά μέχρι να ακούσετε το κλικ ασφάλισης στη θέση του.
15. Κλείστε την κεφαλή εκτύπωσης. Κλείστε το κάλυμμα του εκτυπωτή.
16. Πατήστε το **FEED**.

Καθαρισμός

Πρέπει να καθαρίζετε την κεφαλή εκτύπωσης με τον τρόπο που περιγράφεται ώστε να μπορείτε να διατηρήσετε τη διάρκεια ζωής της.

Προσοχή: Μην χρησιμοποιείτε αιχμηρά αντικείμενα για να καθαρίσετε την κεφαλή εκτύπωσης ή για να την αγγίξετε. Αυτό μπορεί να προκαλέσει ζημιά στην κεφαλή εκτύπωσης και να χρειαστεί σέρβις με χρέωση.

1. Απενεργοποιήστε τον εκτυπωτή, ανοίξτε το κάλυμμα και τη διάταξη της κεφαλής εκτύπωσης.
2. Αφαιρέστε το ρολό ετικετών και την ταινία (όταν καθαρίζετε την κεφαλή).
3. Πιέστε προς τα κάτω τις γλωττίδες καλύμματος εξόδου για να ανοίξετε το κάλυμμα εξόδου.
4. Για να απομακρύνετε σκόνη και ρύπους από τον αισθητήρα, ψεκάστε με πεπιεσμένο αέρα.
5. Χρησιμοποιήστε μια ΤΑΙΝΙΑ ΚΑΘΑΡΙΣΜΟΥ (αρ. εξαρτήματος 120350) για να καθαρίσετε και να απομακρύνετε επίμονη συσσώρευση ρύπων από το ρολό κυλίνδρου, τη ράβδο απόσπασης, τον αισθητήρα και την κεφαλή εκτύπωσης.



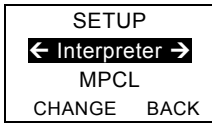
6. Αφήστε τον εκτυπωτή να στεγνώσει και στη συνέχεια φορτώστε τον ξανά με υλικό τροφοδοσίας.
7. Κλείστε το κάλυμμα εξόδου.
8. Κλείστε τη διάταξη της κεφαλής εκτύπωσης και το κάλυμμα του εκτυπωτή.
9. Ενεργοποιήστε τον εκτυπωτή. Πατήστε το **FEED**.

Επιλογή διερμηνευτή

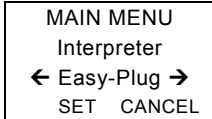
Ο εκτυπωτής 9906 περιλαμβάνει τέσσερις επιλογές διερμηνευτών: MPCL, MLI, WMS XML και Easy-Plug. Για περισσότερες πληροφορίες σχετικά με τον MLI ανατρέξτε στη *Γρήγορη Αναφορά MLI*, για περισσότερες πληροφορίες σχετικά με τον WMS XML ανατρέξτε στη *Γρήγορη Αναφορά XML* και για περισσότερες πληροφορίες σχετικά με το Easy-Plug ανατρέξτε στο *Εγχειρίδιο Easy-Plug* που περιέχεται στο CD-ROM.

Από το Main Menu (Κύριο μενού) επιλέξτε Setup (Εγκατάσταση) και στη συνέχεια:

1. Πατήστε ← ή → μέχρι ο Interpreter (Διερμηνευτής) να εμφανιστεί στην οθόνη.



2. Πατήστε **CHANGE (ΑΛΛΑΓΗ)** στη συνέχεια πατήστε → μέχρι το Easy-Plug να εμφανιστεί στην οθόνη.



3. Πατήστε **SET (ΡΥΘΜΙΣΗ)** για να αποθηκεύσετε την αλλαγή

- ♦ Ο εκτυπωτής θα κάνει αυτόματη επανεκκίνηση μετά την επιλογή ενός διερμηνευτή. Αυτή η διαδικασία ενδέχεται να διαρκέσει αρκετά δευτερόλεπτα.
- ♦ Όταν εκτυπώνετε δοκιμαστικές ετικέτες έχοντας ορίσει ως διερμηνευτή το MLI, ο αριθμός μοντέλου εμφανίζεται ως **M9906MLI**.
- ♦ Όταν εκτυπώνετε δοκιμαστικές ετικέτες έχοντας ορίσει ως διερμηνευτή το Easy-Plug, ο αριθμός μοντέλου εμφανίζεται ως **M9906EP**.

RFID (αν είναι εγκατεστημένο)

Ο εκτυπωτής 9906 με RFID έχει σχεδιαστεί για τον προγραμματισμό (κωδικοποίηση) ετικετών RFID (Radio Frequency Identification) (αναφέρονται κοινώς ως "ετικέτες RFID") πριν από την εκτύπωση της μορφής της ετικέτας. Οι ετικέτες RFID περιέχουν ένα ενσωματωμένο ένθεμα RFID (μικροεπεξεργαστής και κεραία).

Το RFID είναι διαθέσιμο για χρήση μόνο με προμήθειες τύπου 'die cut' ή 'black mark'.

Ο εκτυπωτής υποστηρίζει πρωτόκολλο κρυπτογράφησης Κατηγορίας 1 Γενιάς 2 (C1Gen2).



Οι προμήθειες RFID μπορεί να πάθουν βλάβη από το στατικό ηλεκτρισμό. Γειωθείτε αγγίζοντας ένα μεταλλικό αντικείμενο, όπως τη μεταλλική βάση του εκτυπωτή, πριν χειριστείτε τις προμήθειες.

Τα ραδιοκύματα UHF λειτουργούν στο εύρος συχνοτήτων 902 – 928 MHz σύμφωνα με τους Κανονισμούς FCC.

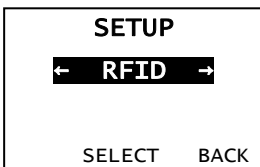
Μενού εγκατάστασης RFID

Χρησιμοποιήστε το RFID Setup Menu (Μενού εγκατάστασης RFID) για να διαβάσετε μια ετικέτα, να ρυθμίσετε την ισχύ RF και να διαγράψετε δεδομένα.

Το στοιχείο μενού Read Tag (Ανάγνωση ετικέτας) σας επιτρέπει να διαβάσετε τα δεδομένα EPC που έχουν προγραμματιστεί σε μια ετικέτα RFID.

Ανατρέξτε στο *RFID Web Setup Utility* στο

<http://www.servisource1.com/prnutil/rfidsetup> παροχής για να ρυθμίσετε το επίπεδο ισχύος RF.



Ο εκτυπωτής αποθηκεύει τον αριθμό των επιτυχημένων και εσφαλμένων προγραμματισμένων ετικετών. Διαγράψτε αυτήν την εγγραφή από το στοιχείο μενού Clear Data (Διαγραφή δεδομένων). Ανάλογα με το είδος και τον όγκο των ετικετών που εκτυπώνετε, μπορεί να θέλετε να διαγράψετε αυτά τα δεδομένα σε καθημερινή βάση ή μετά από κάθε παρτίδα.

Για πρόσβαση στις ρυθμίσεις RFID, από το Main Menu (Βασικό μενού) επιλέξτε Setup (Εγκατάσταση) και στη συνέχεια RFID.

Αν για κάποιο λόγο δεν είναι δυνατός ο προγραμματισμός της ετικέτας RFID, η ετικέτα ενδέχεται να εκτυπωθεί με ένα σήμα διαγραφής που υποδεικνύει ότι δεν πρέπει να χρησιμοποιηθεί. Ο διαχειριστής του συστήματος πρέπει να ρυθμίσει ανάλογα την επιθυμητή Ενέργεια σφάλματος.

Αν εμφανιστούν τα μηνύματα σφάλματος RFID 740 – 749, συμβουλευτείτε το διαχειριστή συστήματος.

Ανατρέξτε στο *Εγχειρίδιο Χειρισμού* και στις *Σημειώσεις Εφαρμογής* για περισσότερες πληροφορίες.

Αντιμετώπιση προβλημάτων

Στην ενότητα αυτή αναφέρονται συνηθισμένα προβλήματα και η επίλυσή τους.

Πρόβλημα	Ενέργεια
Εμφανίζεται μήνυμα σφάλματος κατά τη διάρκεια της εκκίνησης.	Απενεργοποιήστε τον εκτυπωτή, περιμένετε δεκαπέντε δευτερόλεπτα και ενεργοποιήστε ξανά τον εκτυπωτή. Καλέστε την Υπηρεσία Εξυπηρέτησης Πελατών αν το μήνυμα σφάλματος εμφανιστεί ξανά.
Δεν εκτυπώνει.	Ελέγξτε το υλικό τροφοδοσίας και την ταινία, αποστείλετε ένα διορθωμένο φορμά και πακέτο.
Δεν λειτουργεί η τροφοδοσία.	Ρυθμίστε τους επιλογείς πίεσης της κεφαλής εκτύπωσης.
Μερική εκτύπωση δεδομένων.	Καθαρίστε την κεφαλή εκτύπωσης, αποστείλετε ένα πακέτο διορθωμένου φορμά.
Ελαφριά/βαριά εκτύπωση, σκιές ή κενά στην εκτύπωση.	Καθαρίστε την κεφαλή εκτύπωσης, αλλάξτε το υλικό τροφοδοσίας, ρυθμίστε την αντίθεση εκτύπωσης, ελέγξτε τους επιλογείς πίεσης της κεφαλής εκτύπωσης, ελέγξτε την ταινία.
Δεν λειτουργεί η σάρωση σειριακών γραμμικών κωδικών.	Αφήνετε την κεφαλή εκτύπωσης με απελευθερωμένο μάνδαλο όταν δεν την χρησιμοποιείτε, χρησιμοποιήστε ταχύτητα εκτύπωσης 2,5 ips, ρυθμίστε την αντίθεση εκτύπωσης.
Το χιτώνιο τυλίγεται γύρω από το ρολό κυλίνδρου ή απόσπασης.	Αφαιρέστε με προσοχή το χιτώνιο. Βεβαιωθείτε ότι το χιτώνιο αποσπά το οδοντωτό άκρο όταν χρησιμοποιείται η λειτουργία ανάδρασης και απόσπασης.
Ο εκτυπωτής δεν διαβάζει ή δεν εκτυπώνει την ετικέτα RFID.	Συμβουλευτείτε το διαχειριστή συστήματος

Συνήθη σφάλματα

Σφάλμα Περιγραφή/Ενέργεια

- 002 Το όνομα πρέπει να είναι από 1 έως 8 χαρακτήρες μέσα σε εισαγωγικά.
- 005 Μη έγκυρο πλάτος υλικού τροφοδοσίας.
- 018 Μη έγκυρος κωδικός επιλογής σελίδας.
- 025 Πολύ μεγάλο μήκος δεδομένων.
- 101 Το φορμά αναφοράς του πακέτου δεν υπάρχει στη μνήμη.
- 400 Μη έγκυρος χαρακτήρας μετά το {.
- 403 Ο διαχωριστής πεδίων δε βρέθηκε.
- 409 Η μνήμη του εκτυπωτή είναι πλήρης. Διαγραφή μη χρησιμοποιημένων στοιχείων.
- 410 Αποτυχία ισοτιμίας.
- 411 Σφάλμα πλαισίου (αποτυχία ταχύτητας μετάδοσης).
- 412 Αποτυχία ελέγχου ροής.
- 413 Η προσωρινή Online μνήμη παραλαβής είναι πλήρης. Έλεγχος ροής.
- 611 Η γραμματοσειρά, ο γραμμικός κώδικας ή η πυκνότητα στη δέσμη δεν ταιριάζει με το φορμά.
- 612 Δεδομένα σε αυτή τη σειρά της δέσμης απουσιάζουν ή δεν ταιριάζουν με το φορμά.
- 613 Σημείο αναφοράς εκτός τροφοδοσίας.
- 614 Τμήμα του πεδίου εκτός τροφοδοσίας ή μη έγκυροι χαρακτήρες στο πακέτο.
- 703 Ο εκτυπωτής εντόπισε βαθμονόμηση διαφορετικού μεγέθους μαύρων γραμμών. Σιγουρευτείτε ότι έχετε φορτώσει το σωστό τύπο υλικού τροφοδοσίας.
- 704 Ο εκτυπωτής δεν εντόπισε σήμα τροφοδοσίας εκεί όπου αναμενόταν ή έχει τελειώσει το υλικό τροφοδοσίας. Βεβαιωθείτε ότι ο εκτυπωτής είναι ρυθμισμένος στο σωστό τύπο υλικού τροφοδοσίας. Αντικαταστήστε το υλικό τροφοδοσίας. Καθαρίστε τον αισθητήρα.
- 751 Ο εκτυπωτής δεν εντόπισε μαύρο σημάδι όταν αναμενόταν. Πατήστε **ESCAPE** για να συνεχίσετε την εκτύπωση. Αλλάξτε το υλικό τροφοδοσίας.
- 752 Ο εκτυπωτής εντόπισε ένα σημάδι σε λάθος θέση.
- 753 Ο εκτυπωτής εντόπισε ένα σημάδι με πολύ μεγάλο μήκος.
- 754 Ελέγξτε για εμπλοκή της ταινίας ή διορθώστε τυχόν λασκάρισμα της ταινίας. Τοποθετήστε νέα ταινία.
- 755 Η κεφαλή εκτύπωσης είναι ανοικτή. Κλείστε την κεφαλή εκτύπωσης.
- 756 Τοποθετήστε υλικό τροφοδοσίας ή/και καθαρίστε τον αισθητήρα.
- 757 Τοποθετήστε υλικό τροφοδοσίας (ακατάλληλο μήκος υλικού τροφοδοσίας). Πατήστε το **FEED**.
- 758 Το υλικό τροφοδοσίας δεν είναι ορατό, ο κατ' απαίτηση αισθητήρας είναι χαλασμένος, ή μια ετικέτα αφαιρέθηκε πολύ γρήγορα. Ελέγξτε για πιθανή εμπλοκή ετικετών ή τοποθετήστε ξανά υλικό τροφοδοσίας.
- 763 Αναμονή παροχής ετικετών. Πατήστε το **FEED**.
- 765 Η κεφαλή εκτύπωσης έχει λιγότερα από 8 χαλασμένα σημεία και μπορεί να μετατοπίσει τα πεδία γραμμικού κώδικα για αποφυγή των χαλασμένων σημείων. Πατήστε **ESCAPE** για να συνεχίσετε την εκτύπωση.
- 768 Η κεφαλή εκτύπωσης έχει περισσότερα από 8 χαλασμένα σημεία ή δεν είναι συνδεδεμένη. Συνδέστε ή αντικαταστήστε την κεφαλή εκτύπωσης.

Σφάλματα RFID

Για περισσότερες πληροφορίες ανατρέξτε στις *Σημειώσεις Εφαρμογής RFID*. Σχετικά με τη μορφή ελέγξτε με το διαχειριστή συστήματος. Μετά από ένα σφάλμα RFID ο εκτυπωτής **δεν** πραγματοποιεί επανάληψη μικρορυθμίσεων (τροφοδότηση λευκής ετικέτας).

Σφάλμα Περιγραφή/Ενέργεια

- | | |
|-----|----------------------------------------------------------------------------------------------------------------------------------------------------------------------------------------------------------------------------------------------|
| 052 | Ο τύπος δεδομένων στο πεδίο δεδομένων RFID δεν είναι έγκυρος. |
| 053 | Το μπλοκ εκκίνησης στο πεδίο δεδομένων RFID δεν είναι έγκυρο. |
| 226 | Γραμμή εγγραφής κανόνα xx. Η συσκευή μεταφόρτωσης δεν είναι έγκυρη. |
| 228 | Το αναγνωριστικό κλάσης μνήμης δεν είναι έγκυρο. |
| 229 | Ο κωδικός byte δεν είναι έγκυρος. |
| 230 | Ο κωδικός κλειδώματος δεν είναι έγκυρος. |
| 715 | Μη έγκυρο μήκος δεδομένων/ασυμφωνία δεδομένων στο πεδίο δεδομένων RFID. Το σφάλμα αυτό συμβαίνει επίσης όταν υπάρχει σφάλμα στα πεδία επέκτασης C1Gen2. |
| 732 | Σφάλμα υλικού RFID. Ένας εκτυπωτής που δεν υποστηρίζει RFID παρέλαβε μια μορφή που περιέχει πεδίο δεδομένων RFID. |
| 740 | Σφάλμα εντολής, υλικού ή εκχώρησης μνήμης. |
| 741 | Δεν υπάρχει ετικέτα RFID - δεν βρέθηκε στην περιοχή του εκτυπωτή όπου πραγματοποιείται ο προγραμματισμός ετικετών RFID. Ελέγξτε την τοποθέτηση προμηθειών. Βεβαιωθείτε ότι η ετικέτα RFID δεν μετακινήθηκε εκτός του εύρους προγραμματισμού. |
| 742 | Σφάλμα στη διαγραφή ετικέτας. Η ετικέτα RFID βρέθηκε στο πεδίο RF, αλλά η διαγραφή της δεν ήταν δυνατή. |
| 743 | Σφάλμα προγραμματισμού ετικέτας. Η ετικέτα RFID βρέθηκε στο πεδίο RF, αλλά ο προγραμματισμός της δεν ήταν δυνατός. |
| 744 | Σφάλμα κλειδωμένης ετικέτας. Η ετικέτα RFID δεν είναι δυνατό να προγραμματιστεί γιατί είναι ήδη κλειδωμένη. |
| 746 | Σφάλμα κλειδώματος ετικέτας. Η ετικέτα RFID δεν έχει κλειδωθεί για προστασία από επαναπρογραμματισμό. |
| 747 | Σφάλμα λήξης χρονικού ορίου. Μια εντολή RFID (ανάγνωση, προγραμματισμός, κλπ.) δεν ολοκληρώθηκε στο μέγιστο επιτρεπόμενο χρονικό διάστημα. |
| 748 | Μη έγκυρο μήκος δεδομένων/ασυμφωνία δεδομένων από το στοιχείο ανάκρισης RFID. |
| 749 | Σφάλμα επαλήθευσης RFID. Σφάλμα στη διαδικασία επαλήθευσης RFID μετά από την εγγραφή (προγραμματισμό) ετικέτας. |

GUIDA RAPIDA

Questa *Guida rapida* contiene informazioni su come caricare i supporti di stampa ed effettuare la cura generale e le procedure di manutenzione della stampante Monarch®9906. Per informazioni più accurate, consultare il *Manuale dell'operatore* disponibile sul nostro sito Internet (www.monarch.com). Per informazioni sulla creazione di formati, sulla configurazione della stampante o sulla sua programmazione, consultare il *Packet Reference Manual* sul nostro sito Internet.

Leggere le informazioni sulla sicurezza riportate nel documento *Conformità regolatori* a accluso alla stampante. Le informazioni contenute in questo documento annullano e sostituiscono tutte le informazioni contenute nelle versioni precedenti. Controllare direttamente il nostro sito Internet per la documentazione più recente e per le informazioni sulla versione.

Collegamento dei cavi

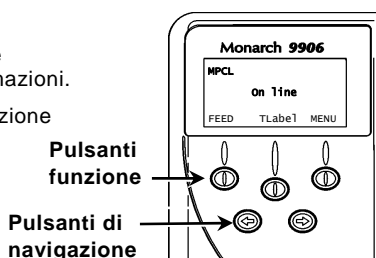
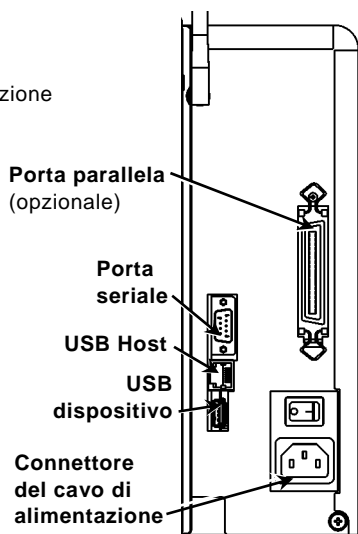
L'alimentatore di corrente esegue la commutazione automatica da 115 a 230V.

1. Inserire il cavo di alimentazione nella presa sull'apparecchio e l'altra estremità in una presa elettrica collegata a massa.
2. Collegare il cavo di comunicazione alla rispettiva porta sull'apparecchio.
3. Accendere la stampante. Premere (I) per accendere e (O) per spegnere la stampante.

Utilizzo del pannello di controllo

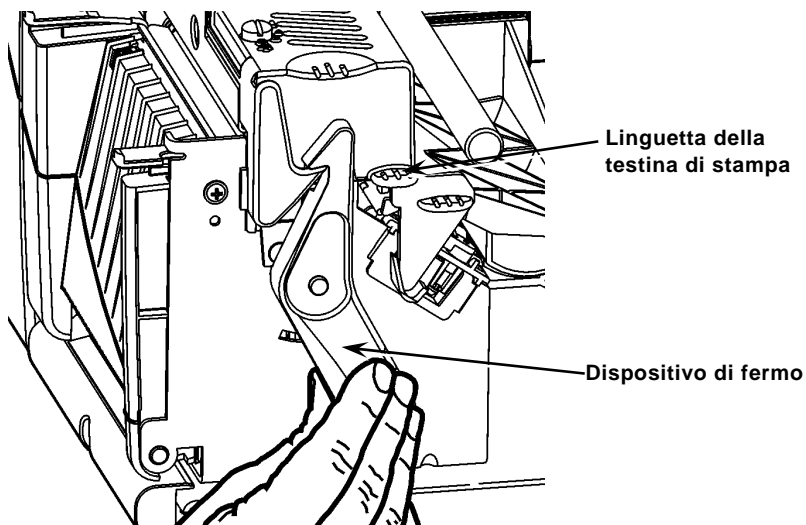
Il pannello di controllo è composto da un display LCD a quattro righe, tre pulsanti funzione e due pulsanti di navigazione. La funzione dei singoli pulsanti varia in base alle operazioni. Il display LCD:

- ◆ Indica lo stato di alimentazione durante la visualizzazione di testo o altre informazioni.
- ◆ Indica condizioni che richiedono l'attenzione immediata da parte dell'operatore (batteria scarica, guasti, errori) visualizzandole su uno sfondo di colore rosso.
- ◆ Mostra voci di menu, impostazioni della stampante, assegnazione dei pulsanti funzione, valori, ecc.

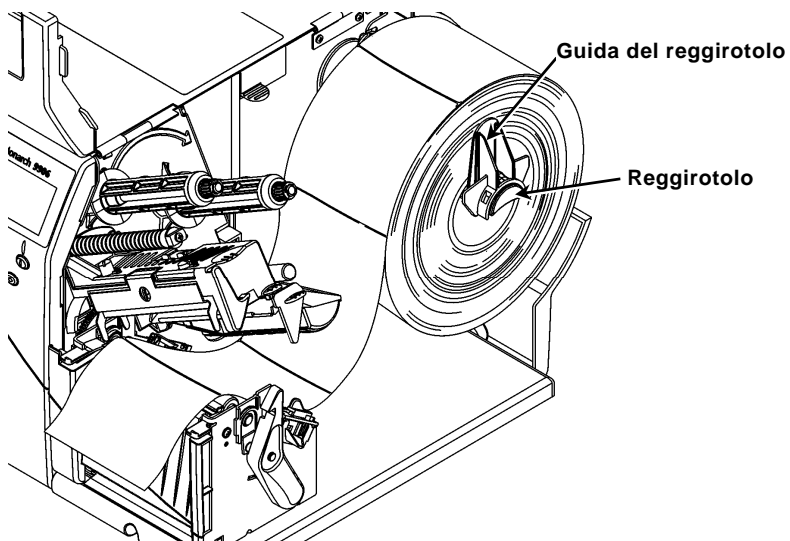


Caricamento delle etichette o dei cartellini

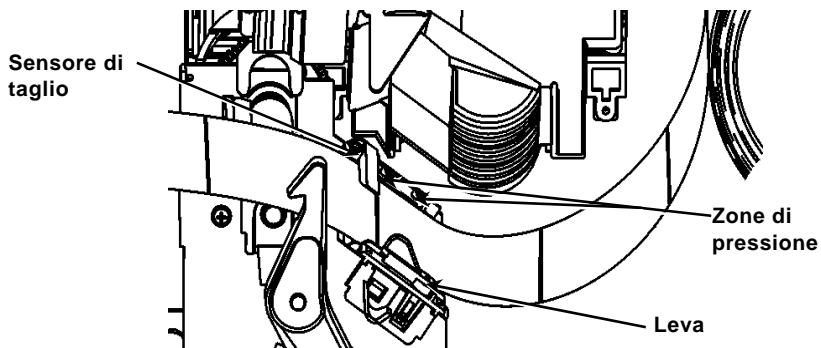
1. Aprire il coperchio.
2. Sbloccare la testina di stampa ruotando il dispositivo di fermo.



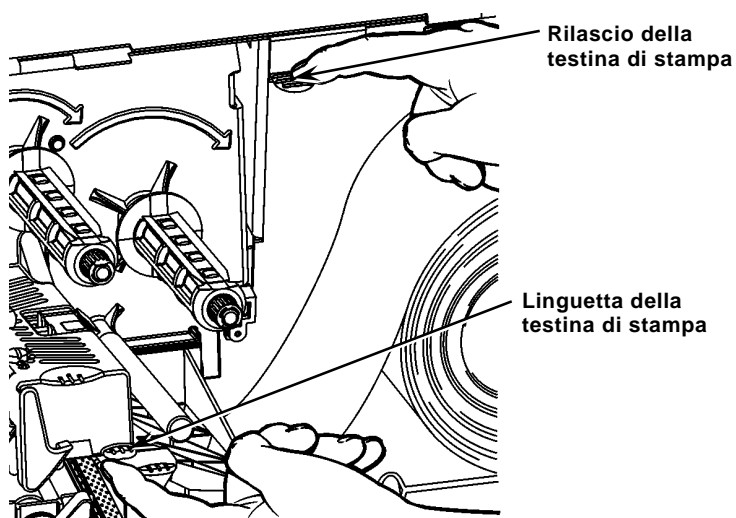
3. Utilizzando l'apposita linguetta, sollevare il gruppo della testina di stampa fino a farlo scattare in posizione.
4. Inserire il rotolo del supporto di stampa nell'apposito reggirotolo, posizionato contro la parte interna della stampante.
5. Regolare la guida del reggirotolo in modo che tocchi appena il rotolo del supporto di stampa ed accertarsi che il rotolo giri liberamente.



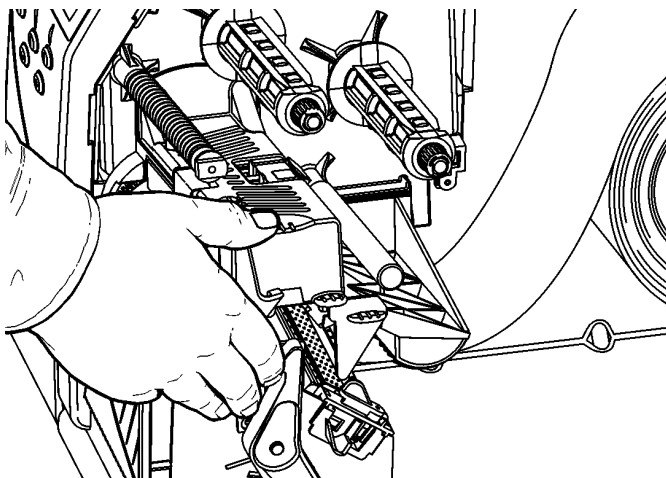
6. Premere la leva per sbloccare la guida del rotolo del supporto di stampa.
7. Stendere la striscia di etichette sulla guida accertandosi che si estenda per alcuni centimetri oltre il lato anteriore della stampante.
8. Inserire il supporto di stampa sotto le zone di pressione e fra i sensori di taglio.
9. Regolare la guida del supporto di stampa in modo che tocchi appena il supporto di stampa. Sollevare la leva del supporto di stampa per bloccare in posizione le guide del rotolo del supporto di stampa.



10. Tenere il gruppo della testina di stampa impugnandolo dall'apposita linguetta, premendo al contempo il dispositivo di rilascio della testina.



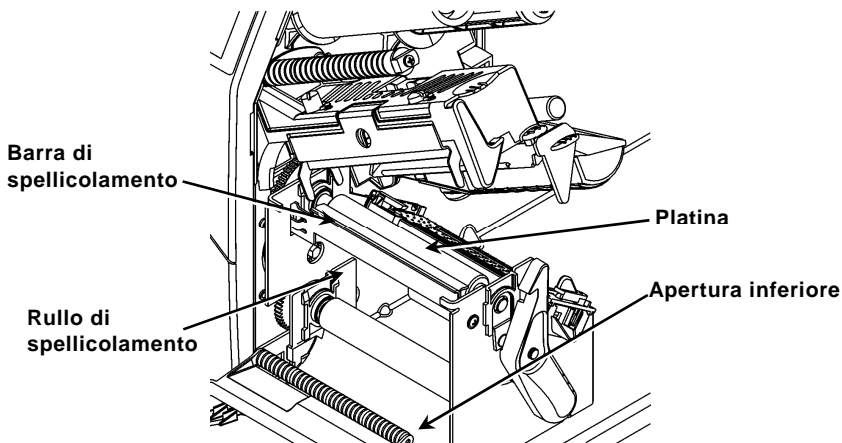
11. Chiudere la testina di stampa premendo sull'incavo per il pollice sino a sentirla scattare in sede.



12. Chiudere il coperchio della stampante.
13. Premere **FEED** (Alimentazione).

Caricamento delle etichette per la modalità opzionale Peel (Spellicolamento)

1. Rimuovere le etichette dal primo tratto di 25 centimetri del liner.
2. Premere sulle linguette del coperchio di uscita per aprire il coperchio di uscita.
3. Fare avanzare il liner oltre la barra di spellicolamento, lungo il piano di scorrimento e farlo uscire attraverso l'apertura inferiore nel coperchio di uscita.



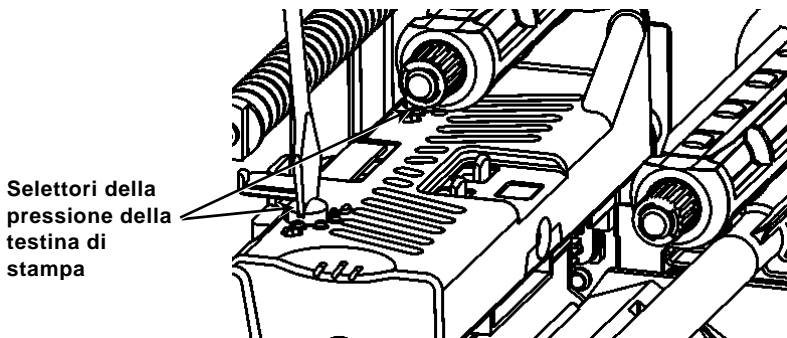
4. Chiudere il coperchio di uscita.
5. Chiudere il coperchio della stampante.
6. Premere **FEED**.

Per ulteriori informazioni su come caricare il supporto di stampa, consultare il *Manuale dell'operatore*.

Regolazione dei selettori della pressione della testina di stampa

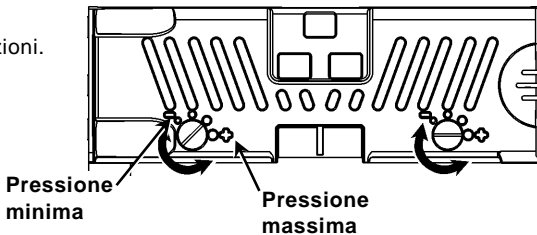
L'impostazione predefinita è la pressione minima che, nella maggior parte dei casi, consente di ottenere una qualità di stampa ottimale. In presenza di sbavature, formazione di pieghe sul nastro o qualità di stampa scadente, potrebbe essere necessario regolare i selettori della pressione della testina di stampa.

I due selettori sono posizionati su entrambi i bordi del gruppo della testina di stampa (interno ed esterno). È possibile impostare i selettori su posizioni diverse: il selettore interno deve tuttavia essere impostato alla stessa pressione o ad una pressione più elevata rispetto al selettore esterno. Quando si utilizza un rotolo di larghezza pari a circa 10 centimetri le due manopole devono essere impostate alla stessa pressione. Utilizzare una moneta o un cacciavite piatto per regolare i selettori.



Ogni selettore consente di effettuare quattro impostazioni.

- ◆ Pressione minima
- ◆ Pressione leggera
- ◆ Pressione media
- ◆ Pressione massima

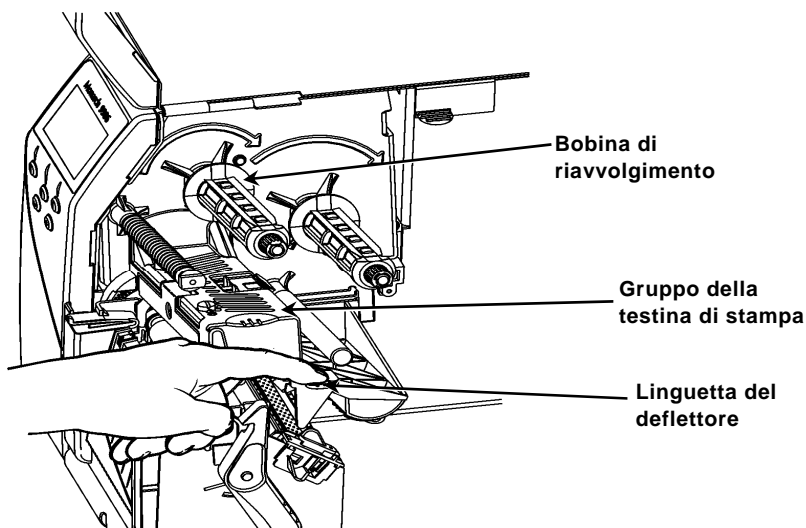


Effettuare una stampa di prova di un'etichetta per verificare la pressione della testina di stampa; eseguire le opportune regolazioni. Per ulteriori informazioni consultare il *Manuale dell'operatore*.

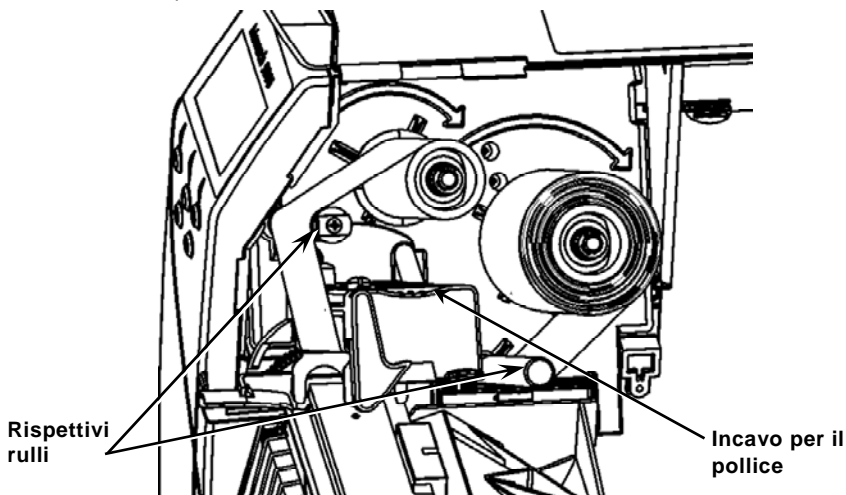
Caricamento del nastro

1. Aprire il coperchio.
2. Sbloccare la testina di stampa ruotando il dispositivo di fermo.
3. Utilizzando l'apposita linguetta sollevare il gruppo della testina di stampa fino a bloccarlo in posizione.

4. Abbassare la linguetta del deflettore.



5. Fare scorrere fino a battuta l'anima del nastro supplementare sopra la bobina di riavvolgimento.
6. Estrarre il nastro nuovo dalla sua confezione.
7. Fare scorrere fino in fondo il nastro sopra la bobina posteriore. Svolgere accuratamente dal fondo del rotolo alcuni centimetri di nastro.
8. Far passare il nastro guidandolo accuratamente sotto i rispettivi rulli e la testina di stampa.



9. Accertarsi che il nastro sia ben tirato e centrato su tutto il percorso.
10. Fissare il nastro all'anima del riavvolgitore.
11. Ruotare l'anima del riavvolgitore fino a portare la parte iniziale del nastro oltre la testina di stampa.

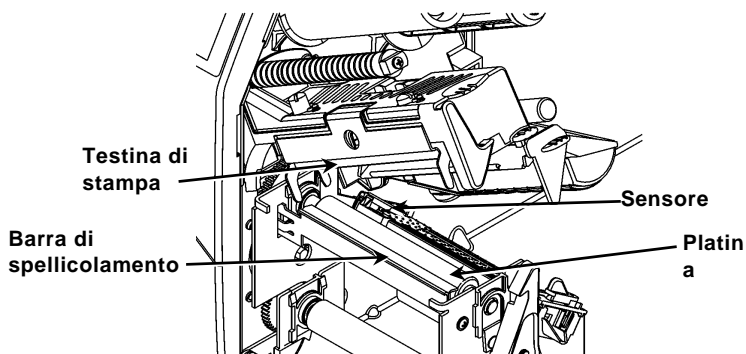
12. Eliminare eventuali allentamenti del nastro ruotando in senso orario la bobina di riavvolgimento.
13. Tenere il gruppo della testina di stampa impugnandolo dall'apposita linguetta abbassando al contempo il dispositivo di rilascio della testina.
14. Chiudere la testina di stampa premendo sull'incavo per il pollice sino a sentirla scattare in sede.
15. Chiudere la testina di stampa. Chiudere il coperchio della stampante.
16. Premere **FEED**.

Pulizia

Pulire la testina di stampa osservando la procedura descritta per preservarne la vita utile.

Attenzione: **Non** utilizzare oggetti affilati per pulire la testina di stampa e non toccarla con le dita. Ciò potrebbe danneggiare la testina e comportare costi aggiuntivi di riparazione.

1. Spegnerne la stampante, aprire il coperchio e il gruppo della testina.
2. Togliere il rotolo di etichette e il nastro (per pulire la testina di stampa).
3. Premere sulle linguette del coperchio di uscita per abbassarle ed aprire il coperchio di uscita.
4. Per rimuovere polvere e altre particelle solide dal sensore, utilizzare un getto di aria compressa
5. Per pulire e rimuovere gli accumuli di adesivo da platina, barra di spellicolamento, sensore e testina di stampa, utilizzare un CLEAN-STRIP (numero parte 120350).



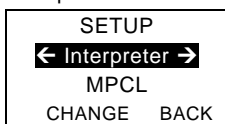
6. Lasciare asciugare la stampante e ricaricare i supporti di stampa.
7. Chiudere il coperchio di uscita.
8. Chiudere il gruppo della testina di stampa e il coperchio della stampante.
9. Accendere la stampante. Premere **FEED**.

Selezione dell'interprete

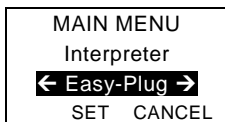
La stampante 9906 dispone di quattro opzioni Interpreter (Interprete): MPCL, MLI, WMS XML, e Easy-Plug. Per maggiori informazioni sull'opzione MLI, fare riferimento alla relativa guida rapida (*MLI Quick Reference*), per maggiori informazioni sull'opzione WMS XML, fare riferimento alla guida rapida XLM (*XML Quick Reference*), per maggiori informazioni sull'opzione Easy-Plug fare riferimento al rispettivo manuale (*Easy-Plug Manual*) inclusi nel CD-ROM.

Dal menu principale, selezionare l'impostazione Setup (Configurazione) e successivamente:

1. Premere **←** oppure **→** sino a quando non appare visualizzato sullo schermo Interpreter.



2. Premere **CHANGE (Cambia)** e successivamente **→** sino a quando non appare visualizzato sullo schermo Easy-Plug.



3. Premere **SET (Imposta)** per salvare la modifica.
 - ◆ La stampante si riavvia automaticamente dopo la selezione di un interprete. Questo processo può richiedere alcuni secondi.
 - ◆ Quando si stampano etichette di prova con l'opzione MLI impostata come interprete, appare visualizzato il numero di modello **M9906MLI**.
 - ◆ Quando si stampano etichette di prova con l'opzione Easy-Plug impostata come interprete, appare visualizzato il numero di modello **M9906EP**.

RFID (se installata)

La stampante 9906 con RFID è stata progettata per programmare (crittografare) un'etichetta RFID (Identificazione a radiofrequenza) definita comunemente "tag RFID" prima di stampare il formato dell'etichetta. I tag RFID contengono un inserto RFID incorporato (composto da chip e antenna).

La stampa RFID è disponibile solo su supporti fustellati o con banda nera.

La stampante supporta la codifica secondo il protocollo Classe 1 Generazione 2 (C1Gen2).



I supporti per RFID possono essere danneggiati dall'elettricità statica. Toccare una superficie metallica per scaricare a terra la tensione, ad esempio la base metallica della stampante, prima di maneggiare i supporti.

La radiofrequenza UHF funziona nella banda di frequenza da 902 a 928 MHz, in conformità con le norme e i regolamenti della FCC.

Menu di configurazione RFID

Utilizzare il menu RFID Setup (Imposta RFID) per leggere un tag, impostare la potenza della radiofrequenza e cancellare i dati.

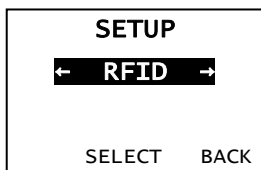
La voce di menu Read Tag (Leggi tag) consente di leggere i dati EPC programmati nel tag RFID.

Far riferimento a *RFID Web Setup Utility a*

<http://www.servisource1.com/prnutil/rfidsetup> per impostare il livello in RF Power (Potenza della radiofrequenza).

La stampante memorizza il numero di programmazioni di tag riuscite e non riuscite. Per cancellare questo record, utilizzare la voce di menu Clear Data (Cancella dati). In base all'applicazione e al volume di etichette stampate, è possibile scegliere se cancellare tali dati ogni giorno o dopo ogni elaborazione in batch.

Per accedere alle impostazioni RFID, nel menu principale selezionare Setup (Imposta) quindi RFID.



Se, per qualsiasi motivo, il tag non può essere programmato, è possibile stampare sull'etichetta una grafica di annullamento per indicare che l'etichetta non deve essere utilizzata. L'impostazione dell'azione in caso di errore viene impostata dall'amministratore di sistema.

Se vengono visualizzati gli errori RFID da 740 a 749, contattare l'amministratore di sistema.

Per ulteriori informazioni far riferimento al *Operator's Handbook* (Manuale dell'utente) e alle *Application Notes* (Note sull'applicazione).

Risoluzione dei problemi

In questa sezione sono descritti alcuni dei problemi di più comune riscontro e le relative soluzioni.

Problema	Soluzione
Un messaggio di errore appare visualizzato all'avvio.	Spegnere la stampante, attendere quindici secondi e riaccendere la stampante. Se il messaggio compare nuovamente, contattare l'assistenza clienti.
La stampante non stampa.	Controllare il supporto di stampa e il nastro, specificare un formato e un pacchetto di lavoro corretti.
La stampante non eroga il materiale.	Regolare i selettori della pressione della testina di stampa.
I dati sono stampati soltanto parzialmente.	Pulire la testina di stampa, inviare un pacchetto di formati corretto.
Stampa troppo chiara/scura, stampa contenente ombre o spazi vuoti.	Pulire la testina, cambiare il supporto di stampa, regolare il contrasto di stampa, controllare i selettori della pressione della testina di stampa, controllare il nastro.
I codici a barre seriali non vengono scansionati.	Lasciare la testina di stampa sganciata quando non è in uso; utilizzare una velocità di stampa di 6,35 cm/s (2,5 IPS), regolare il contrasto di stampa.
Il liner è avvolto intorno alla platina o al rullo di spellicolamento.	Rimuovere con cautela il liner. Verificare che il liner venga strappato in corrispondenza del bordo seghettato durante l'utilizzo delle modalità Backfeed (Retroalimentazione) e Peel (Spellicolamento).
La stampante non legge o non programma il tag	Contattare l'amministratore di sistema

RFID.

Errori comuni

Errore	Descrizione/Soluzione
002	Il nome deve contenere un numero di caratteri compreso tra 1 e 8 racchiusi tra virgolette.
005	Larghezza del supporto di stampa non valida.
018	Selezione della pagina codici non valida.
025	Lunghezza dei dati eccessiva.
101	Formato indicato dal lavoro non presente in memoria.
400	Carattere non valido dopo {.
403	Separatore di campo non trovato.
409	Memoria della stampante piena. Cancellare gli elementi non utilizzati.
410	Mancata corrispondenza fra i parametri di parità.
411	Errore di framing (baud rate non corrispondente).
412	Mancata corrispondenza del controllo del flusso.
413	Buffer di ricezione on line pieno. Verificare il controllo del flusso.
611	Tipo di carattere, codice a barre o densità del lavoro non corrispondenti al formato.
612	Dati in questa riga del lavoro mancanti o non corrispondenti al formato.
613	Punto di riferimento al di fuori del supporto di stampa.
614	Porzione di campo al di fuori del supporto di stampa o un carattere del pacchetto non valido.
703	La stampante ha rilevato una calibrazione di tacche nere di diverse dimensioni. Accertarsi che sia stato caricato il tipo di supporto di stampa corretto.
704	La stampante non ha rilevato la presenza di una tacca supporto prevista o ha esaurito il supporto di stampa. Verificare che la stampante sia impostata sul tipo di supporto di stampa corretto. Ripristinare il supporto di stampa. Pulire il sensore.
751	La stampante non ha rilevato la presenza di una tacca nera prevista. Premere ESCAPE (Esci) per continuare la stampa. ricaricare il supporto di stampa.
752	La stampante ha rilevato la presenza di una tacca nel punto sbagliato.
753	La stampante ha rilevato la presenza di una tacca troppo lunga.
754	Controllare che non si siano verificati inceppamenti del nastro o eliminare eventuali allentamenti del nastro. Caricare un nastro nuovo.
755	Testina di stampa aperta. Chiudere la testina di stampa.
756	Caricare il supporto di stampa e/o pulire il sensore.
757	Caricare il supporto di stampa (lunghezza del supporto di stampa errata). Premere FEED .
758	Il supporto di stampa non viene riconosciuto, il sensore on-demand è rotto o un'etichetta è stata rimossa troppo velocemente. Controllare che non si siano verificati inceppamenti del nastro o ricaricare i supporti di stampa.
763	In attesa di dispensare etichette. Premere FEED .
765	La testina di stampa ha meno di 8 dot rovinati ed è in grado di spostare i campi dei codici a barre per evitare i dot rovinati. Premere ESCAPE (Esci) per continuare la stampa.
768	La testina di stampa ha più di 8 dot rovinati o non è collegata. Collegare o sostituire la testina di stampa.

Errori RFID

Per ulteriori informazioni, vedere *RFID Application Notes* (Note sull'applicazione di RFID). Verificare il formato con l'amministratore di sistema. Dopo un errore RFID, la stampante **non** si ricalibra (non viene alimentata un'etichetta vuota).

Errore	Descrizione/Soluzione
---------------	------------------------------

052	Il tipo di dati nel campo dati RFID non è valido.
053	Il blocco iniziale del campo dati RFID non è valido.
226	Rule Record, linea xx. Il dispositivo di caricamento non è valido.
228	L'identificatore della classe di memoria non è valido.
229	Il codice in byte non è valido.
230	Il codice di blocco non è valido.
715	Lunghezza dati non valida/mancata corrispondenza dei dati nel campo dati RFID. Questo errore si verifica anche se è presente un errore nei campi C1Gen2 estesi.
732	Errore hardware RFID. Una stampante non abilitata per la stampa RFID ha ricevuto un formato contenente un campo dati RFID.
740	Errore di comando, hardware o allocazione della memoria.
741	Tag RFID mancante: non è stato rilevato nell'area all'interno della stampante in cui il tag RFID viene programmato. Controllare il caricamento dei supporti di stampa. Verificare che il tag RFID non sia spostato rispetto all'intervallo programmabile.
742	Cancellazione del tag non riuscita. Il tag RFID è stato rilevato nel campo RF, ma non è stato possibile cancellarlo.
743	Programmazione tag non riuscita. Il tag RFID è stato rilevato nel campo RF, ma non è stato possibile programmarlo.
744	Blocco del tag non riuscito. Il tag RFID non può essere programmato perché è già bloccato.
746	Blocco tag non riuscito. Il tag RFID non è stato bloccato per impedire la riprogrammazione.
747	Errore per tempo scaduto. Un comando RFID (lettura, programmazione, ecc.) non è stato completato perché è trascorso il tempo massimo consentito.
748	Lunghezza dati non valida/mancata corrispondenza dei dati nel modulo di interrogazione RFID.
749	Errore di verifica RFID. Il processo di verifica RFID non è riuscito dopo la scrittura (programmazione) del tag.

REFERÊNCIA RÁPIDA

Esta *Referência Rápida* contém procedimentos de carregamento de consumíveis, cuidados gerais e manutenção para a impressora Monarch® 9906. Para obter informações mais detalhadas, consulte o *Manual do utilizador* disponível no nosso Web site (www.monarch.com). Para obter informações sobre como criar formatos, configurar a impressora ou programar a impressora, consulte o *Packet Reference Manual* no nosso Web site.

Leia as informações de segurança no documento *Conformidade Regulamentar* incluído com a impressora. As informações neste documento substituem as informações em versões anteriores. Consulte o nosso Web site para obter a documentação mais recente e informações sobre lançamentos.

Nota: A impressora Monarch® 9906 utiliza o controlador Monarch® 9855®.

Ligar os cabos

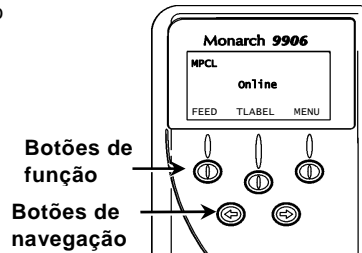
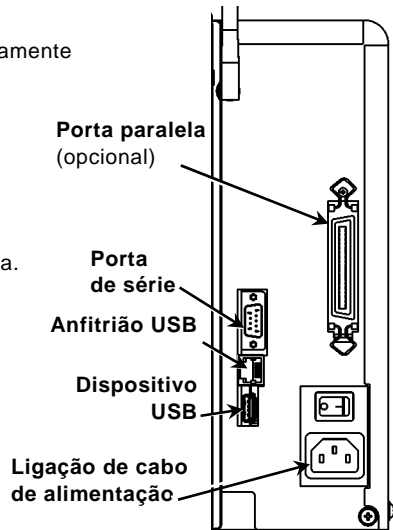
A fonte de alimentação alterna automaticamente entre 115 V e 230 V.

1. Ligue o cabo de alimentação à ficha e a outra extremidade a uma tomada eléctrica com terra.
2. Ligue o cabo de comunicações à porta adequada.
3. Ligue a impressora. Prima (I) para ligar e (O) para desligar a impressora.

Utilizar o Painel de controlo

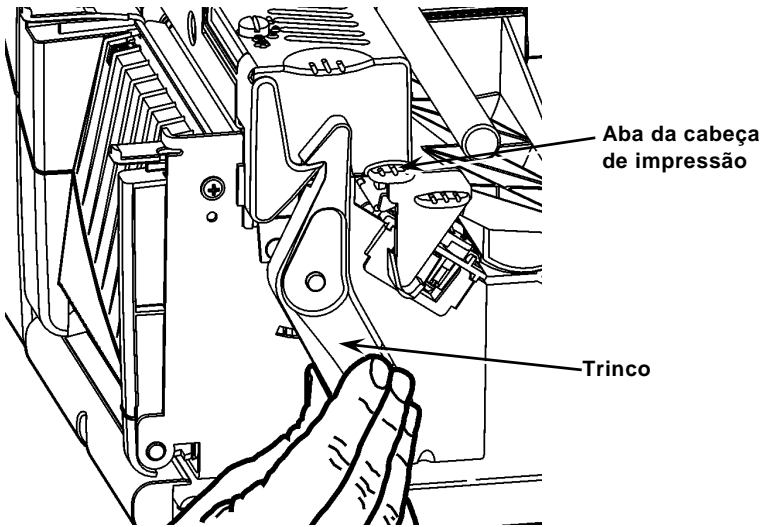
O painel de controlo consiste num ecrã LCD de quatro linhas, três botões de função, e dois botões de navegação. A função de cada botão varia consoante a tarefa. O ecrã LCD:

- ◆ Indica a energia quando é apresentado texto ou outra informação.
- ◆ Indica condições que requerem atenção imediata (bateria fraca, avarias, erros) utilizando um fundo vermelho.
- ◆ Mostra solicitações de menu, definições de impressora, atribuições de botões de função, valores, etc.

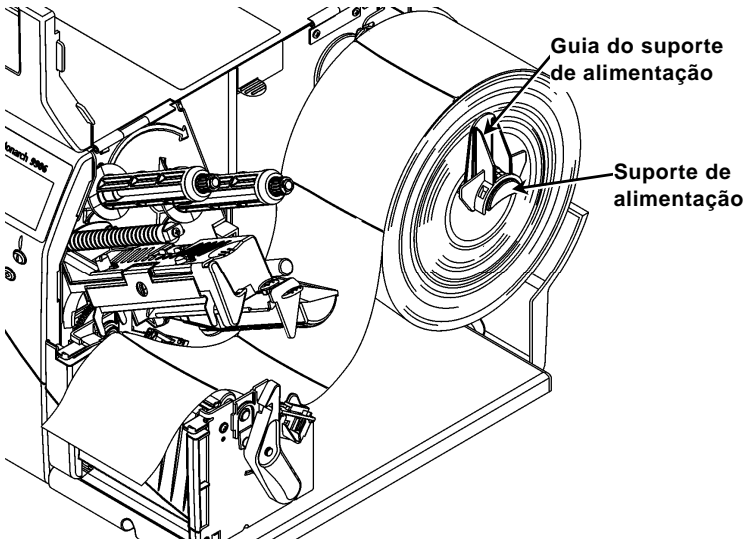


Carregar etiquetas

1. Abra a tampa.
2. Desbloqueie a cabeça de impressão rodando o trinco.

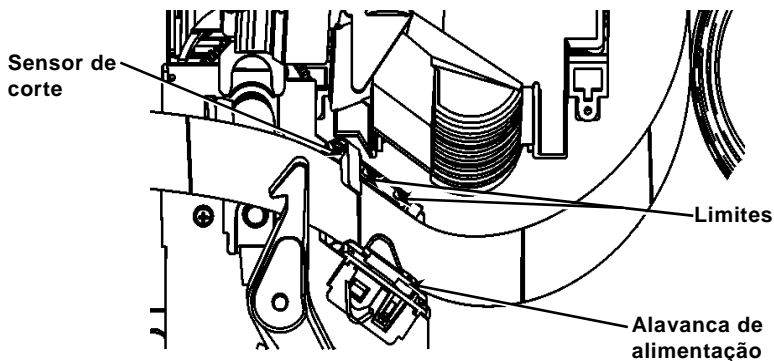


3. Levante a cabeça de impressão utilizando a respectiva aba até que bloqueie no devido lugar.
4. Coloque o rolo de alimentação no respectivo suporte, situado contra o interior da impressora.
5. Ajuste a guia do suporte de alimentação de forma a tocar apenas ligeiramente no rolo, certificando-se de que o rolo de alimentação roda livremente.

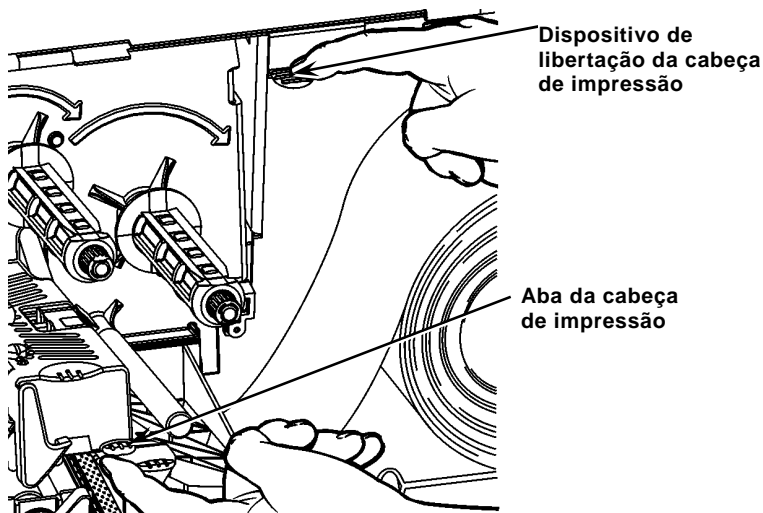


6. Pressione a alavanca de alimentação para baixo para desbloquear a guia de alimentação.

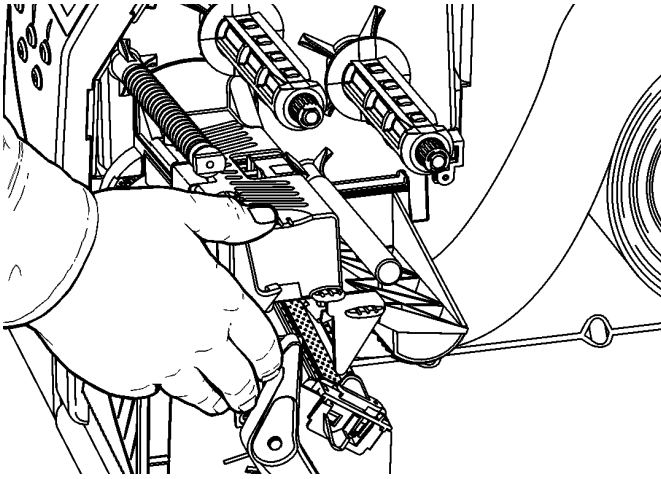
7. Disponha a faixa de etiquetas na guia de alimentação de forma a que alguns cm se prolonguem para além da parte dianteira da impressora.
8. Coloque a alimentação sob os limites e entre o sensor de corte.
9. Ajuste a guia de alimentação de forma a tocar apenas ligeiramente na alimentação. Empurre a alavanca de alimentação para cima para bloquear as guias de alimentação no devido lugar.



10. Segure a cabeça de impressão pela aba enquanto pressiona o dispositivo de libertação da mesma.



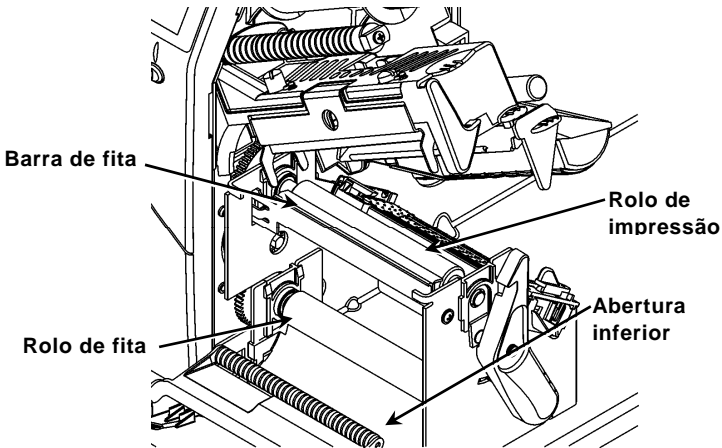
11. Feche a cabeça de impressão pressionando a cavidade para polegar até a ouvir encaixar no respectivo lugar.



12. Feche a tampa da impressora.
13. Prima **FEED** (Alimentação).

Carregar etiquetas para o modo de fita opcional

1. Remova as etiquetas dos primeiros 25 cm de linha.
2. Pressione as abas da tampa de saída para abrir a tampa de saída.
3. Alimente a linha sobre a barra de fita, a par da calha, e para fora através da abertura inferior na tampa de saída.



4. Feche a tampa de saída.
5. Feche a tampa da impressora.
6. Prima **FEED** (Alimentação).

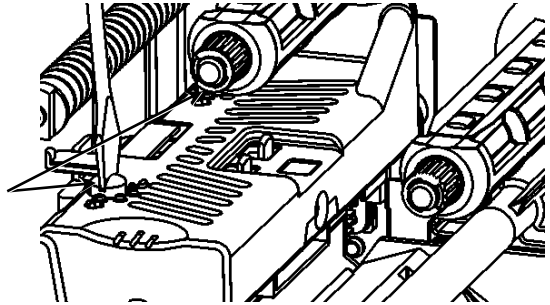
Para opções de carregamento de consumíveis opcionais, consulte o *Manual do utilizador*.

Ajustar os indicadores de pressão da cabeça de impressão

A predefinição é a pressão mínima, o que fornece uma impressão ideal na maioria dos casos. Se notar manchas, enrugamento da fita ou qualidade fraca da impressão, pode ser necessário ajustar os indicadores de pressão da cabeça de impressão.

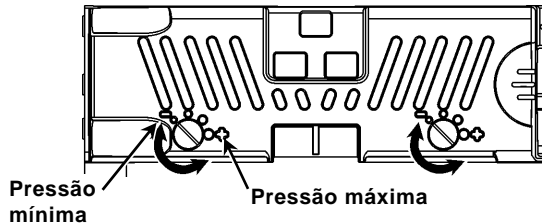
Os dois indicadores estão situados em ambas as extremidades do conjunto da cabeça de impressão (interior e exterior). Os indicadores podem ser definidos para diferentes posições; No entanto, o indicador interior deve ter uma pressão igual ou superior ao indicador exterior. Ao utilizar uma entrada de 4 polegadas, ambos os botões devem estar regulados a uma pressão igual. Utilize uma moeda ou uma chave de cabeça plana para ajustar os indicadores.

Indicadores de pressão da cabeça de impressão



Cada indicador tem quatro definições:

- ◆ Pressão mínima
- ◆ Pressão reduzida
- ◆ Pressão média
- ◆ Pressão máxima

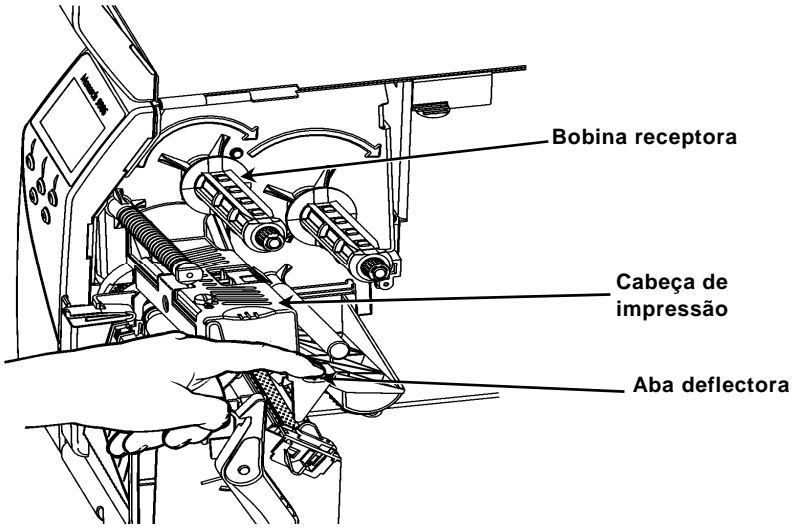


Imprima uma etiqueta de teste para verificar a pressão da cabeça de impressão; efectue regulações, conforme necessário. Consulte o *Manual do utilizador* para informações adicionais.

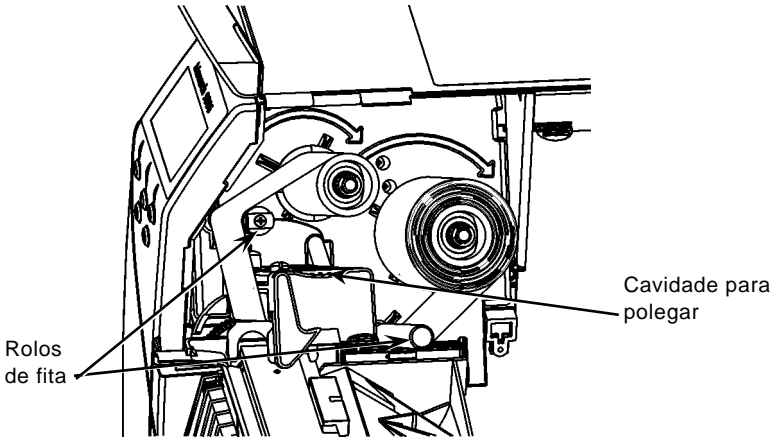
Carregar fita

1. Abra a tampa.
2. Desbloqueie a cabeça de impressão rodando o trinco da mesma.
3. Levante a cabeça de impressão utilizando a respectiva aba até que bloqueie no devido lugar.

4. Pressione a aba deflectora para baixo.



5. Faça deslizar o núcleo de fita adicional para a bobina receptora, o máximo que conseguir.
6. Retire a fita nova da embalagem.
7. Faça deslizar a fita totalmente para a bobina receptora. Desbobine cuidadosamente alguns cm da parte inferior do rolo de fita.
8. Alimente cuidadosamente a fita sob ambos os rolos de fita e cabeça de impressão.



9. Certifique-se de que a fita está direita e centrada ao longo do caminho.
10. Prenda a fita ao núcleo receptor.
11. Rode o núcleo receptor até o início da fita estar para além da cabeça de impressão.
12. Remova qualquer folga na fita rodando a bobina receptora no sentido dos ponteiros do relógio.
13. Segure a cabeça de impressão pela aba enquanto pressiona o dispositivo de libertação da mesma.

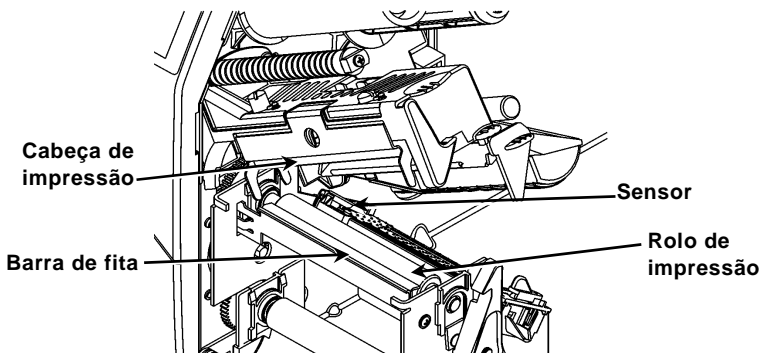
14. Feche a cabeça de impressão pressionando a cavidade para polegar para baixo até a ouvir encaixar no respectivo lugar.
15. Feche a cabeça de impressão. Feche a tampa da impressora.
16. Prima **FEED** (Alimentação).

Limpar

Deve limpar a cabeça de impressão conforme descrito para manter o tempo de vida da cabeça de impressão.

Cuidado: **Não** utilize objectos afiados para limpar a cabeça de impressão ou tocar na mesma. Tal poderá danificar a cabeça de impressão e exigir uma taxa de serviço.

1. Desligue a impressora, abra a tampa e a cabeça de impressão.
2. Remova o rolo de etiquetas e a fita (ao limpar a cabeça de impressão).
3. Pressione as abas da tampa de saída para abrir a tampa de saída.
4. Para remover pó e resíduos do sensor, utilize ar comprimido.
5. Utilize uma CLEAN-STRIP (referência 120350) para limpar e remover o adesivo acumulado no rolo de impressão, na barra de fita, no sensor e na cabeça de impressão.



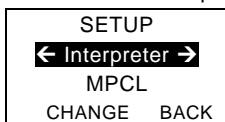
6. Permita que a impressora seque e coloque os consumíveis novamente.
7. Feche a tampa de saída.
8. Feche a cabeça de impressão e a tampa da impressora.
9. Ligue a impressora. Prima **FEED** (Alimentação).

Seleccionar o Intérprete

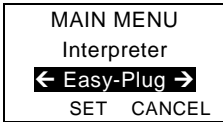
A impressora 9906 inclui quatro opções de Intérprete; MPCL, MLI, WMS XML e Easy-Plug. Para obter mais informações sobre MLI, consulte *Referência Rápida sobre MLI (MLI Quick Reference)*, para obter mais informações sobre WMS XML, consulte *Referência Rápida sobre XML (XML Quick Reference)*, para obter mais informações sobre Easy-Plug, consulte o *Manual Easy-Plug (Easy-Plug Manual)* incluído no CD-ROM.

No Menu Principal (Main Menu), seleccione Configurar (Setup) e:

1. Prima **←** ou **→** até que o Intérprete seja apresentado.



2. Prima **ALTERAR (CHANGE)** e, de seguida, prima → até que o Easy-Plug seja apresentado.



3. Prima **CONFIGURAR (SET)** para guardar a alteração.
- ◆ A impressora reinicia-se automaticamente após seleccionar um intérprete. Este processo pode demorar alguns segundos.
 - ◆ Ao imprimir etiquetas de teste com MLI definido como intérprete, o número do modelo aparece como **M9906MLI**.
 - ◆ Ao imprimir etiquetas de teste com Easy-Plug definido como intérprete, o número do modelo aparece como **M9906EP**.

RFID (se instalado)

A impressora 9906 com RFID foi concebida para programar (codificar) uma etiqueta RFID (Identificação por Radiofrequência) (denominadas “etiquetas RFID”) antes de o formato da etiqueta ser impresso. As etiquetas RFID contêm uma aplicação RFID integrada (chip e antena).

RFID só está disponível no corte de moldes ou consumíveis de marca negra.

A impressora suporta a codificação de protocolo Classe 1 Geração 2 (C1Gen2).



Os consumíveis RFID podem ser danificados pela electricidade estática. Toque em metal, como a base metálica da impressora, antes de lidar com os consumíveis.

O rádio UHF funciona na gama de frequência 902 – 928 MHz em conformidade com as normas e regulamentações da FCC.

Menu de configuração RFID

Utilize o menu Setup (Configuração) RFID para ler uma etiqueta, configurar a potência RF e apagar dados.

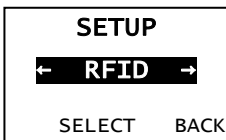
A opção de menu Read Tag (Ler etiqueta) permite ler os dados EPC programados numa etiqueta RFID.

Consulte o *RFID Web Setup Utility* em

<http://www.servisource1.com/prnutil/rfidsetup> para definir o nível de potência RF.

A impressora armazena o número de etiquetas programadas com sucesso e sem sucesso. Apague este registo através da opção de menu Clear Data (Apagar dados). Dependendo da sua aplicação e do volume de etiquetas impressas, convém apagar estes dados diariamente ou após cada lote.

Para aceder às definições RFID, a partir do menu principal, seleccione Setup (Configuração) e, de seguida, RFID.



Se, por algum motivo, a etiqueta RFID não for programável, a etiqueta pode imprimir com um padrão de riscas, indicando que não deve ser utilizada. O seu administrador de sistema deve definir a acção de erro pretendida, adequadamente.

Detecção e resolução de problemas

Esta secção lista problemas comuns e respectivas soluções.

Problema	Ação
Surge uma mensagem de erro durante o arranque.	Desligue a impressora, aguarde quinze segundos, e volte a ligá-la. Contacte o Apoio ao cliente caso a mensagem de erro surja novamente.
Não imprime.	Verifique os consumíveis e a fita, envie um pacote de lote e formato corrigido.
Não alimenta.	Ajuste os indicadores de pressão da cabeça de impressão.
Dados parcialmente impressos.	Limpe a cabeça de impressão, envie um pacote de formato corrigido.
Impressão leve/pesada, sombras de impressão ou vazios.	Limpe a cabeça de impressão, mude o consumível, ajuste o contraste de impressão, verifique os indicadores de pressão da cabeça de impressão, verifique a fita.
Os códigos de barra de série não digitalizam.	Deixe a cabeça de impressão destrancada quando não estiver em utilização, utilize uma velocidade de impressão de 2,5 ips, ajuste o contraste de impressão.
A linha está envolvida no rolo de impressão ou fita.	Remova a linha cuidadosamente. Certifique-se de que a linha rasga no limite dentado ao utilizar o modo de fita e retroalimentação.
A impressora não lê nem programa a etiqueta RFID.	Consulte o administrador do sistema

Erros comuns

Erro	Descrição/Ação
002	O nome deve ter entre 1 e 8 caracteres entre aspas.
005	Largura de alimentação inválida.
018	Seleção de página de código inválida.
025	Extensão de dados demasiado longa.
101	Formato referenciado por lote não se encontra na memória.
400	Caracter inválido após {.
403	Separador de campo não encontrado.
409	A memória da impressora está cheia. Elimine itens não utilizados.
410	Falha de concordância de paridade.
411	Erro de enquadramento (falha de concordância de velocidade de transmissão).
412	Falha de concordância do controlo de fluxo.
413	O buffer de recepção online está cheio. Verifique o controlo do fluxo.
611	O tipo de letra, código de barras ou densidade no lote não se adapta ao formato.
612	Os dados nesta linha do lote estão em falta ou não correspondem ao formato.
613	Ponto de referência fora da alimentação.
614	Parte do campo fora da alimentação ou caracter inválido no pacote.
703	A impressora detectou uma calibração de marcas pretas de diferentes tamanhos. Certifique-se de que é carregado o tipo de alimentação correcto.
704	A impressora não detectou uma marca de alimentação quando esperado ou está sem consumíveis. Certifique-se de que a impressora está definida para o tipo de consumível adequado. Carregue consumíveis. Limpar o sensor
751	A impressora não detectou uma marca preta quando esperado. Prima ESCAPE para continuar a impressão. Mude o consumível.
752	A impressora detectou uma marca no local errado.
753	A impressora detectou uma marca demasiado longa.
754	Verifique se a fita está encravada ou remova qualquer folga na mesma. Carregue uma nova fita.
755	A cabeça de impressão está aberta. Feche a cabeça de impressão.
756	Carregue consumíveis e/ou limpar o sensor.
757	Carregue consumíveis (falha de concordância de extensão de consumíveis). Prima FEED (Alimentação).
758	O consumível não é visto, o sensor a pedido está partido, ou uma etiqueta foi retirada antes do tempo. Verifique se a etiqueta está encravada ou carregue consumíveis.
763	A aguardar para dispensar etiqueta. Prima FEED (Alimentação).
765	A cabeça de impressão tem menos de 8 pontos maus e pode mudar campos de códigos de barras para evitar pontos maus. Prima ESCAPE para continuar a impressão.
768	A cabeça de impressão tem mais de 8 pontos maus ou não está ligada. Ligue ou substitua a cabeça de impressão.

Erros RFID

Consulte as *Notas de aplicação RFID* para mais informações. Consulte o seu administrador de sistema acerca do formato. A impressora **não** recalibra (introduza uma etiqueta em branco) após um erro RFID.

Erro	Descrição/Ação
-------------	-----------------------

- | | |
|------------|--------------------------------------------------------------------------------------------------------------------------------------------------------------------------------------------------------------------------------------------------|
| 052 | O tipo de dados no campo de dados RFID é inválido. |
| 053 | O bloco inicial no campo de dados RFID é inválido. |
| 226 | Rule Record, linha xx. O dispositivo de carregamento é inválido. |
| 228 | O identificador da classe de memória é inválido. |
| 229 | O código de bytes é inválido. |
| 230 | O código de bloqueio é inválido. |
| 715 | Comprimento de dados inválido/não correspondência dos dados no campo de dados RFID. Este erro também ocorre quando existe um erro nos campos C1Gen2 expandidos. |
| 732 | Erro de hardware RFID. Uma impressora não RFID recebeu um formato com um campo de dados RFID. |
| 740 | Erro de comando, hardware ou atribuição de memória. |
| 741 | Etiqueta RFID em falta - não encontrada na área no interior da impressora onde a etiqueta RFID está programada. Verifique o carregamento de consumíveis. Certifique-se de que a etiqueta RFID não foi movida para fora do intervalo programável. |
| 742 | Falha ao apagar etiqueta. A etiqueta RFID foi encontrada no campo RFID, mas não pôde ser apagada. |
| 743 | Falha ao programar etiqueta. A etiqueta RFID foi encontrada no campo RF, mas não pôde ser programada. |
| 744 | Falha por bloqueio da etiqueta. A etiqueta RFID não pode ser programada porque já está bloqueada. |
| 746 | Falha ao bloquear etiqueta. A etiqueta RFID não foi bloqueada para evitar uma reprogramação. |
| 747 | Falha por tempo esgotado. Não foi possível concluir um comando RFID (leitura, programação, etc.) dentro do espaço de tempo permitido. |
| 748 | Comprimento de dados inválido/não correspondência dos dados a partir do módulo interrogador RFID. |
| 749 | Falha ao verificar RFID. Falha do processo de verificação RFID após programação da etiqueta. |

КРАТКОЕ РУКОВОДСТВО

В кратком *руководстве* представлена информация о порядке загрузки печатного носителя и о выполнении общего технического обслуживания и ухода за принтером Monarch® 9906. Более подробная информация, см. *справочник оператора*, размещенный на нашем веб-сайте (www.monarch.com). Информация о создании форматов, настройке и программировании принтера, см. *Packet Reference Manual* на нашем веб-сайте.

Ознакомьтесь с информацией о технике безопасности, приведенной в документе *Инструкции по совместимости*, прилагающемся к принтеру. Информация в этом документе заменяет информацию, содержащуюся в предыдущих документах. Последние сведения о версиях и документация представлены на нашем веб-сайте.

Подключение кабелей

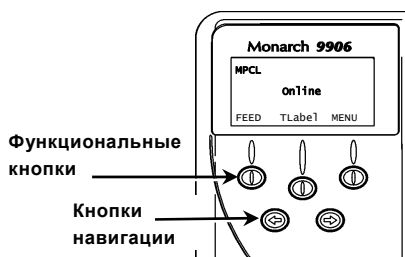
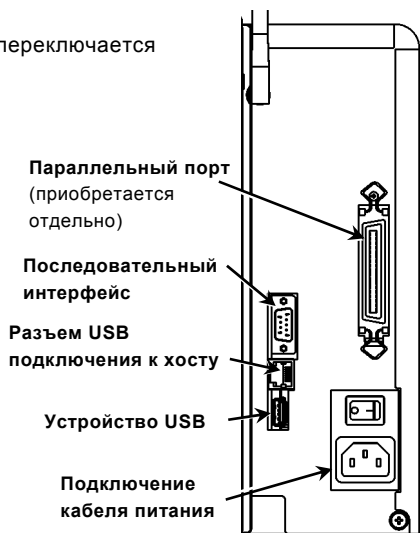
Напряжение питания автоматически переключается между 115 В и 220 В.

1. Вставьте кабель питания в розетку, а второй конец - к заземленному электрическому выходу.
2. Кабель связи включите в соответствующий порт.
3. Включите принтер. Нажмите (I) чтобы включить, а (O) - чтобы выключить принтер.

Панель управления

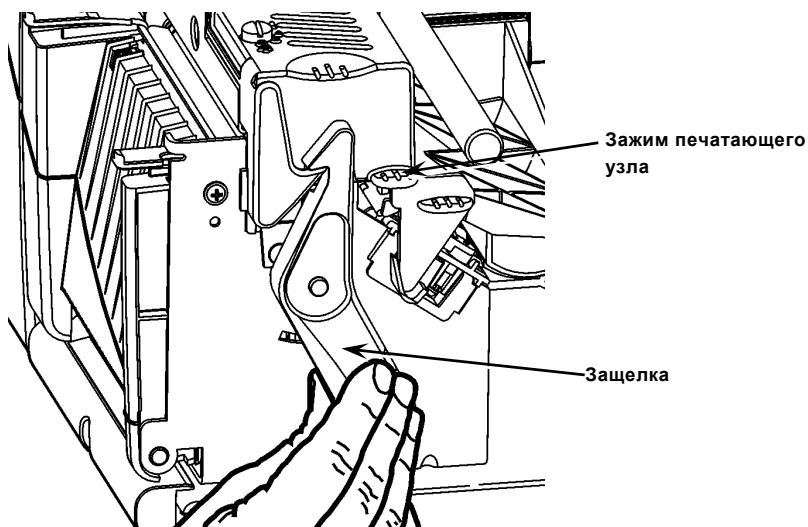
В панель управления входит 4-строчный ЖК-дисплей, три функциональных и две кнопки навигации. Функции каждой кнопки зависят от задания. ЖК-дисплей:

- ◆ Светится, когда отображается текстовая или иная информация
- ◆ Указывает наличие условий, требующих немедленного вмешательства (разряженный аккумулятор, неисправности, ошибки) на красном фоне
- ◆ Отображает подсказки меню, настройки принтера, текущие функции кнопок, значения и т.д.

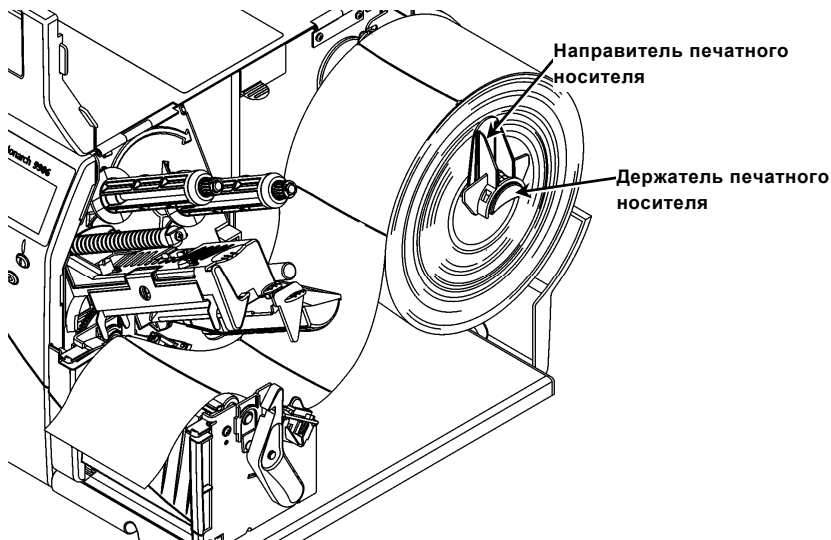


Загрузка этикеток или наклеек

1. Откройте крышку.
2. Разблокируйте печатающий узел, повернув защелку.

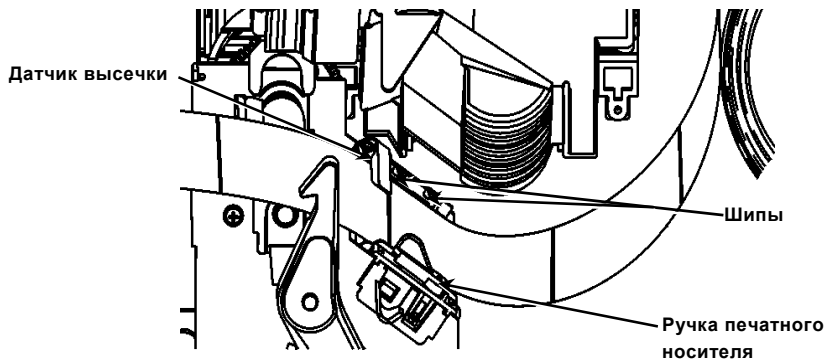


3. Поднимите печатающий узел, держа его за зажим, пока узел не зафиксируется на своем месте.
4. Уложите рулон печатного носителя на держатель печатного носителя, расположенный напротив внутренней стенки принтера.
5. Подвиньте направляющий печатного носителя так, чтобы он слегка касался рулона; проверьте, что рулон вращается свободно.

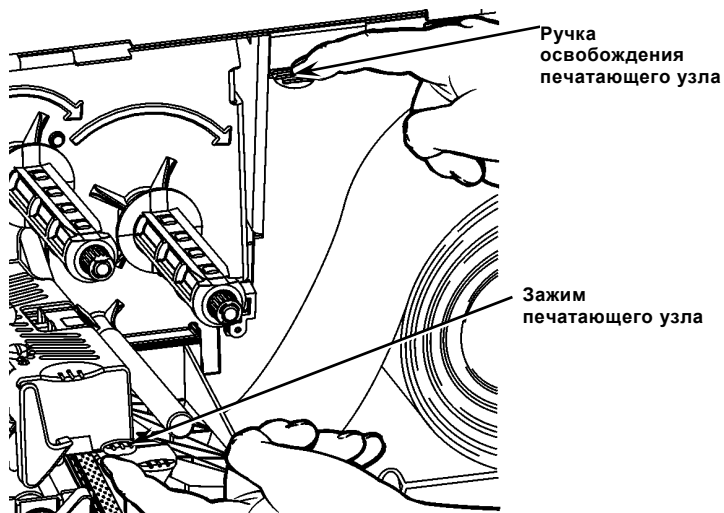


6. Надавите вниз ручку печатного носителя, чтобы разблокировать направляющий носителя.

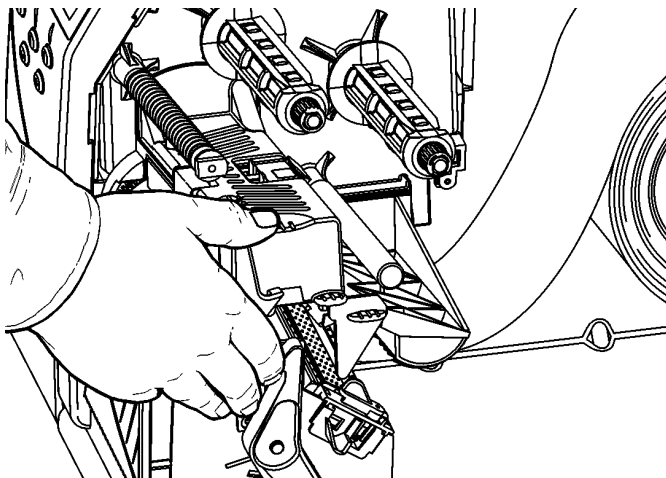
- Уложите ленту с этикетками поперек направлятеля носителя так, чтобы несколько дюймов было выпущено из передней панели принтера.
- Протащите печатный носитель под выступами и между индикатором высечки.
- Подрегулируйте положение направлятеля печатного носителя так, чтобы он слегка касался носителя. Надавите в направлении вверх ручку печатного носителя, чтобы зафиксировать направляющие носителя на своем месте.



- Нажимая ручку освобождения печатающего узла, держите печатающий узел за его зажим.



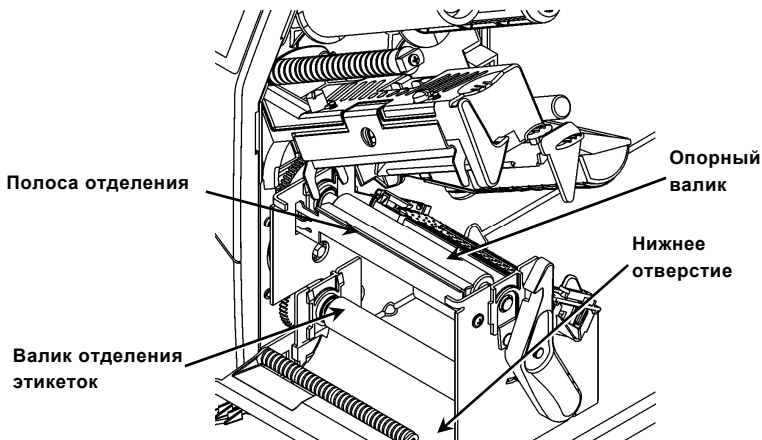
11. Закройте печатающий узел, надавливая на выступ (см. иллюстрацию), пока не услышите щелчок, означающий, что узел зафиксировался на своем месте.



12. Закройте крышку принтера.
13. Нажмите кнопку **FEED**(Подача).

Заправка этикеток для режима печати с отделением этикеток (опция)

1. Отделите этикетки от первых 10 дюймов (25 см) подложки.
2. Надавите вниз на зажимы крышки выходного отверстия, чтобы ее открыть.
3. Проведите подложку над полосой отделения вдоль лотка и выведите через нижнее отверстие в крышке выходного отверстия.



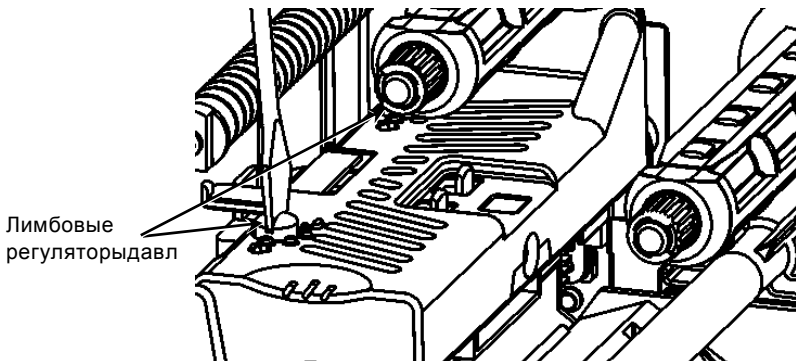
4. Закройте крышку отделения для печатного носителя
5. Закройте крышку принтера.
6. Нажмите кнопку **FEED**(Подача).

По загрузке других печатных носителей, см. *Справочник оператора*.

Регулировка давления печатающего узла с помощью лимбовых регуляторов

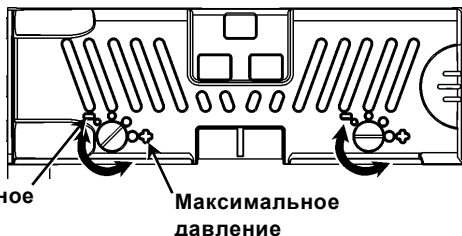
Стандартное значение - это наименьшее давление, обеспечивающее оптимальное качество печати во всех случаях. В случае возникновения смазывания отпечатка, сморщивания ленты или низкого качества печати, возможно, потребуется регулировка давления печатающего узла с помощью лимбовых регуляторов.

Эти два регулятора находятся на обеих сторонах печатающего узла (изнутри и снаружи). Лимбовые регуляторы можно устанавливать в различные положения, тем не менее, значение на внутреннем лимбе не должно быть меньше значения на внешнем. При использовании печатного материала шириной 4 дюйма значения на обоих регуляторах должны быть одинаковыми. Поворачивать лимбы можно с помощью монеты или отвертки.



У каждого лимба 4 положения:

- ◆ минимальное давление
- ◆ легкое давление
- ◆ среднее давление
- ◆ максимальное давление

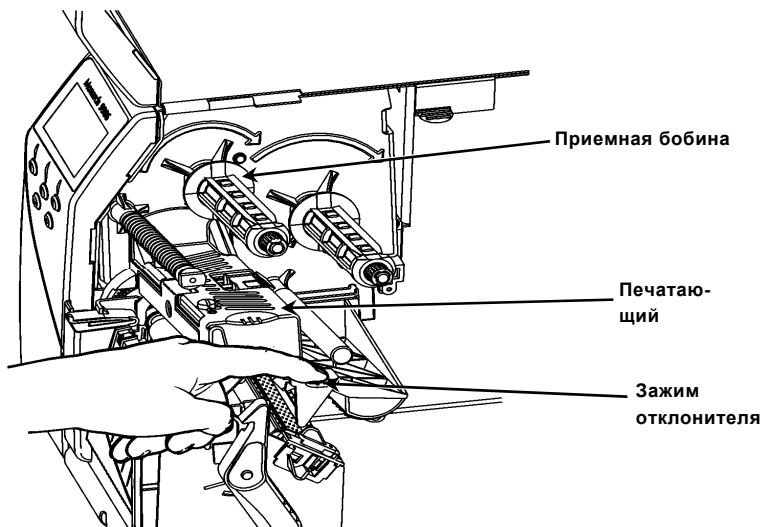


Отпечатайте тестовую этикетку для проверки правильности выбранного давления печатающего узла; при необходимости подстройте давление. Дополнительную информацию см. в *справочнике оператора*.

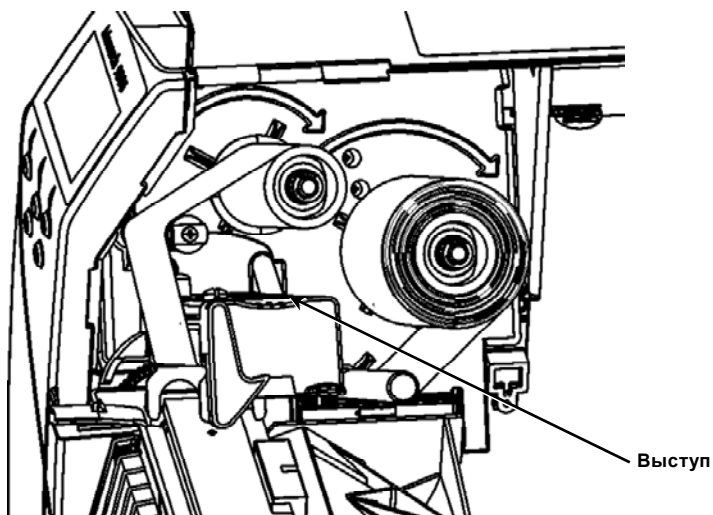
Заправка ленты

1. Откройте крышку
2. Разблокируйте печатающий узел, повернув защелку.
3. Поднимите печатающий узел, держа его за зажим, пока узел не зафиксируется на своем месте.

4. Нажмите вниз зажим отклонителя.



5. Продвиньте дополнительный ленточный сердечник на приемную бобину как можно дальше.
6. Выньте новую ленту из упаковки.
7. Продвиньте ленту как можно дальше на заднюю бобину. Осторожно отмотайте несколько дюймов ленты снизу рулона.
8. Осторожно проведите ленту и под роликами и под печатающим узлом.



9. Проверьте, что лента не искривлена и проходит по центру ленточного тракта.
10. Проведите ленту до принимающего сердечника.
11. Поверните принимающий сердечник так, чтобы передний конец ленты прошел за печатающий узел.

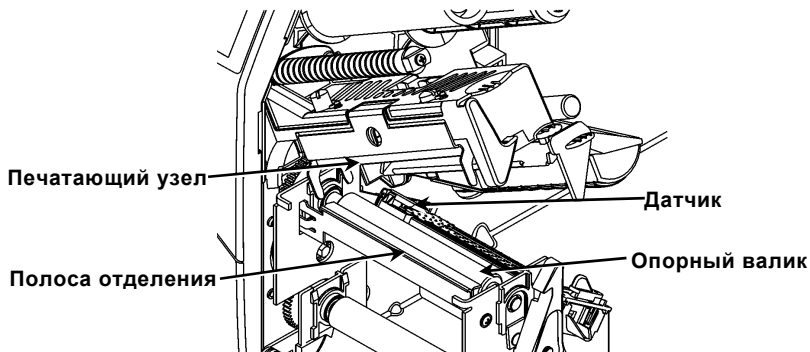
12. Выберите слаbinу ленты, поворачивая принимающий сердечник по часовой стрелке.
13. Во время нажимания ручки освобождения печатающего узла держите печатающий узел за его зажим.
14. Закройте печатающий узел, надавливая на выступ, пока не услышите щелчок, означающий, что он зафиксировался на своем месте.
15. Закройте печатающий узел. Закройте крышку принтера.
16. Нажмите кнопку **FEED** (Подача).

Чистка

Вы **должны чистить** печатающий узел в соответствии с описанием, чтобы продлить срок его службы.

Внимание: **не используйте** для чистки печатающего узла острые предметы. Это может привести к повреждению печатающего узла, которое потребует платного ремонта.

1. Выключите принтер, откройте крышку и печатающий узел.
2. Выньте рулон этикеток и ленту (во время чистки печатающего узла).
3. Надавите вниз на зажимы крышки выходного лотка, чтобы ее открыть
4. Чтобы удалить с датчика пыль и прочие загрязнения, продуйте его сжатым воздухом.
5. Для очистки и удаления наростов клеящего материала с опорного валика, полосы отделения, датчика и печатающего узла воспользуйтесь чистящей полоской CLEAN-STRIP (№ детали 120350).



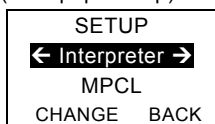
6. Дайте принтеру просохнуть и заправьте печатный носитель.
7. Закройте крышку отделения печатного носителя.
8. Закройте печатающий узел и крышку принтера.
9. Включите принтер. Нажмите кнопку **FEED** (Подача).

Выбор устройства Interpreter

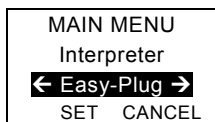
В принтер 9906 входит 4 варианта модуля Interpreter (интерпретатор): MPCL, MLI, WMS XML и Easy-Plug. Более подробное описание варианта MLI см. в *MLI Quick Reference* (Краткое описание MLI), варианта XML - в *XML Quick Reference* (Краткое описание XML), а более подробное описание варианта Easy-Plug см. в *Easy-Plug Manual* (Руководство по Easy-Plug), имеющееся на компакт диске.

В Main Menu (Главное меню) выберите Setup (Настройка), после чего:

1. Нажимайте **←** или **→**, пока на дисплее не появится слово Interpreter (Интерпретатор).



2. Нажимайте **CHANGE** (Изменить) или **→**, пока на дисплее не появится слово Interpreter.



3. Нажмите **SET** (Задать), чтобы сохранить изменение.

- ◆ После выбора интерпретатора принтер автоматически перезагрузится. На это может потребоваться несколько секунд.
- ◆ Во время печати тестовых этикеток, когда в качестве интерпретатора задан вариант MLI, номер модели отображается **M9906MLI**.
- ◆ Во время печати тестовых этикеток, когда в качестве интерпретатора задан вариант Easy-Plug, номер модели отображается **M9906EP**.

RFID (если установлено)

Принтер 9906 с RFID был разработан для программирования (кодирования) этикеток RFID (RFID - РЧ-идентификация) (обычно называемыми "RFID-этикетками") перед печатью формата этикетки. В RFID-этикетке имеется RFID-вкладка (микросхема и антенна).

RFID могут устанавливаться только при использовании

Принтер поддерживает кодирование по протоколу Class 1 Generation 2 (C1Gen2).



Печатные носители с RFID могут быть повреждены в результате воздействия статического электричества. Заземлите себя при контакте с металлическими предметами, такими как металлическое основание принтера, перед тем, как касаться таких печатных носителей.

В соответствии с Правилами и рекомендациями FCC УКВ-радио работает в диапазоне 902 - 908 МГц.

Меню RFID Setup (Настройка)

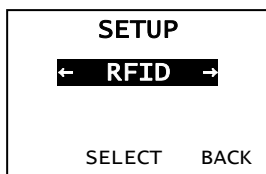
Меню RFID Setup предназначено для Read (Считывание) этикетки, задания RF Power (Мощность РЧ) и Clear Data (Очистка данных).

Элемент меню Read Tag (Считать этикетку) предоставляет возможность прочесть EPC-данные, запрограммированные в RFID.

Задание РЧ-мощности описано в документе *RFID Web Setup Utility* в <http://www.servisource1.com/prnutil/rfidsetup>.

Принтер хранит информацию по количеству успешно и не успешно запрограммированных этикеток. Удалить это число можно с помощью элемента меню Clear Data (Очистить данные). В зависимости от вашего конкретного случая применения принтера и количества отпечатанных этикеток можно очищать эти данные ежедневно или после завершения обработки каждого пакета.

Для доступа к настройкам RFID в Main Menu (Главное меню) выберите Setup (Настройка), затем RFID.



Если RFID-этикетка по какой-либо причине не запрограммирована, этикетку можно отпечатать зачеркнутыми буквами, указывая тем самым, что она непригодна. Ваш системный администратор должен задать соответствующую Error Action (Процедура в случае ошибки) для такой ситуации.

Если система выдаст RFID-ошибки 740 – 749, обратитесь к своему системному администратору.

Дополнительную информацию см в *Operator's Handbook* (Справочник оператора) и *Application Notes* (Примечания к применению).

Устранение неисправностей

В этом разделе перечислены некоторые распространенные проблемы и способы их устранения.

Проблема	Действие
Во время запуска появляется сообщение об ошибке.	Выключите принтер, подождите 15 секунд, затем включите. При повторном появлении сообщения об ошибке обратитесь в сервисный центр.
Принтер не печатает.	Проверьте печатный носитель и ленту, зашлите откорректированный формат и пакет обработки.
Принтер не подает печатный носитель.	Отрегулируйте давление печатающего узла с помощью лимбов.
Данные печатаются не полностью.	Почистите печатающий узел, зашлите откорректированный пакет формата.
Слишком слабая/жирная печать, печать с пробелами или затенениями.	Почистите печатающий узел, замените печатный носитель, отрегулируйте контрастность печати, проверьте установку лимбов регулировки давления печатающего узла, проверьте ленту.
Не сканируется штрих-код.	Когда не пользуетесь принтером, отщелкните печатающий узел, печатайте на скорость 2,5 дюйма/с, отрегулируйте контрастность печати.
Подложка наматывается на опорный валик или валик отделения этикеток.	Осторожно удалите подложку. Проверьте, что подложка отрезается на перфорированном краю при работе в режимах обратной подачи и отделения.
Принтер не печатает и не программирует RFID-этикетку.	Обратитесь к своему системному администратору

Наиболее часто возникающие ошибки

Ошибка	Описание/действие
002	В названии, внутри кавычек, должно быть 1-8 символов.
005	Недействительная ширина печатного носителя.
018	Недействительный выбор кодовой страницы.
025	Данные слишком длинные.
101	Ссылка на формат, который в памяти отсутствует.
400	Недействительный символ располагается за {.
403	Не обнаружен разделитель поля.
409	Переполнение памяти принтера. Удалите ненужные данные.
410	Несоответствие четности.
411	Ошибка кадрирования (несовпадение скорости передачи).
412	Несовпадение обмена данными.
413	Переполнение онлайн-буфера. Проверьте обмен данными.
611	Шрифт, штрих-код или плотность в пакете не соответствуют заданному формату.
612	Данные в этой строке пакета пропущены или не соответствуют формату.
613	Контрольная точка вне носителя.
614	Часть поля вне пределов печатного носителя или наличие в пакете недействительного символа.
703	Принтер считал калибровку черных меток различного размера. Убедитесь в том, что загружен надлежащий печатный носитель.
704	Принтер не определил метку печатного носителя в предполагаемом месте или в принтере отсутствует печатный носитель. Убедитесь в том, что принтер настроен на соответствующий тип печатного носителя. Перезагрузите печатный носитель. Почистите датчик.
751	Принтер не определил черную метку в предполагаемом месте. Нажмите ESCAPE (Выйти и режима/Очистить), чтобы продолжить печать. Замените носитель.
752	Принтер считал метку не в том месте.
753	Принтер считал метку, у которой слишком большая длина.
754	Проверьте, не замялся ли носитель, или выберите слабинку ленты. Загрузите новую ленту.
755	Печатающий узел открыт. Закройте печатающий узел.
756	Загрузите носитель и (или) почистите датчик.
757	Загрузите носитель (несоответствующая длина печатного носителя). Нажмите кнопку FEED (Подача).
758	Не распознается носитель, или неисправен датчик автоматического продолжения печати, или этикетка была снята слишком быстро. Проверьте, не замялась ли этикетка, или перезагрузите печатный носитель.
763	Ожидание команды подачи этикетки. Нажмите кнопку FEED (Подача).
765	В печатающем узле меньше 8 неисправных игл, и он может сдвинуть поля штрих-кода, чтобы их не использовать. Нажмите ESCAPE (Выйти из режима/Очистить), чтобы продолжить печать.
768	В печатающем узле более 8 неисправных игл, или он не подключен. Присоедините или замените печатающий узел.

Ошибки RFID

Более подробно, см. RFID Application Notes (Примечания по применению). Спросите о формате у своего системного администратора. Принтер **не** выполняет повторную калибровку (не выдает пустую этикетку) после ошибки RFID.

Ошибка	Описание/действие
052	Недействителен тип данных в RFID Data Field (Поле данных RFID).
053	Недействителен начальный блок в RFID Data Field (Поле данных RFID).
226	Линейка Record Line (Строка записи) xx. Устройство выгрузки недействительно.
228	Идентификатор класса памяти недействителен.
229	Код байта недействителен.
230	Код блокирования недействителен.
715	Недействительная длина данных/несовпадение данных в RFID Data Field (Поле данных RFID). Эта ошибка также выдается в случае ошибки в полях Expanded C1Gen2.
732	Ошибка аппаратных средств RFID. Принтер без RFID получил формат, содержащий поле данных RFID.
740	Ошибка в команде, аппаратных средствах или памяти.
741	Отсутствует RFID-этикетка - не найдена в области внутри принтера, в которой запрограммирована RFID-этикетка. Проверьте, есть ли носитель. Проверьте, не вышла ли RFID-этикетка за пределы программируемого диапазона.
742	Сбой стирания этикетки. В RF Field (RF-поле) была обнаружена RFID-этикетка, которую невозможно стереть.
743	Сбой программирования этикетки. В RF Field (RF-поле) была обнаружена RFID-этикетка, которую невозможно запрограммировать.
744	Сбой блокировки этикетки. Программирование RFID-этикетки невозможно, т.к. она уже заблокирована.
746	Сбой блокирования этикетки. RFID-этикетка не была заблокирована с целью предотвращения перепрограммирования.
747	Сбой тайм-аута. Произошел сбой команды RFID (чтение, программирования и т.д.), препятствующий ее выполнению в допустимое время
748	Недействительная длина данных/несовпадение данных в модуле запросчика RFID.
749	Сбой верификации RFID. Сбой процесса верификации RFID после записи (программирования) этикетки.

REFERENCIA RÁPIDA

En esta *Referencia rápida* se describen los procedimientos de colocación del papel y de cuidados generales y mantenimiento para la impresora Monarch® 9906. Para obtener información más detallada, consulte el manual del operador (*Operator's Handbook*) que se encuentra disponible en nuestro sitio web (www.monarch.com). Para obtener información sobre cómo crear formatos, y configurar y programar la impresora, consulte *Packet Reference Manual* en nuestro sitio web.

Revise la información de seguridad indicada en el documento *Regulatory Compliance* (Cumplimiento de normativas) incluido con la impresora.

La información de este documento tiene prioridad sobre la de versiones anteriores. En nuestro sitio web podrá encontrar además la documentación y las utilidades más recientes.

Nota: La impresora Monarch® 9906 utiliza el controlador Monarch® 9855®.

Conexión de los cables

La fuente de alimentación cambia automáticamente entre 115 V y 230 V.

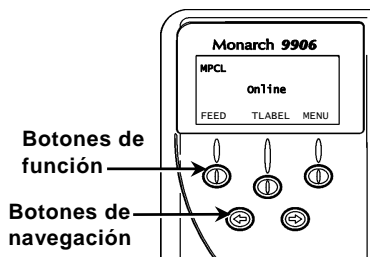
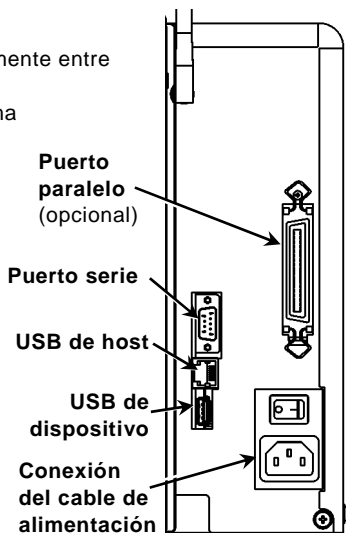
1. Enchufe el cable de alimentación en la toma y el otro extremo a una toma eléctrica con conexión a tierra.
2. Enchufe el cable de comunicaciones en el puerto apropiado.
3. Encienda la impresora. Pulse (I) para encenderla y (O) para apagarla.

Uso del panel de control

El panel de control consiste de una pantalla LCD de cuatro líneas, tres botones de función y dos botones de navegación.

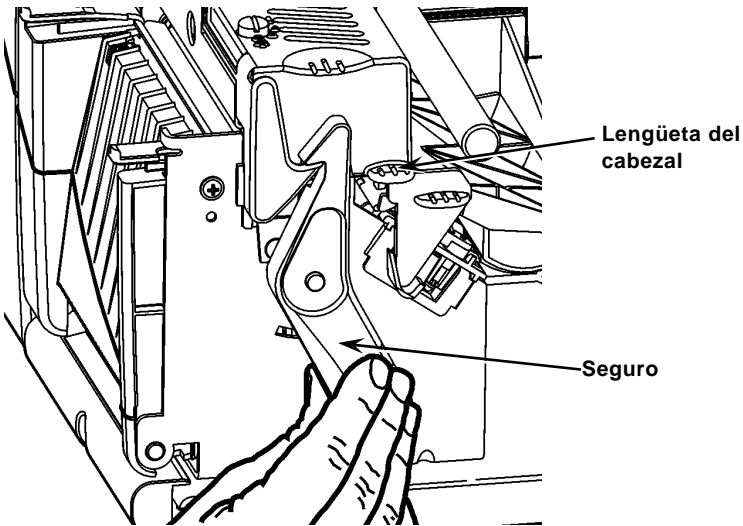
El funcionamiento de cada botón es diferente según la tarea. Pantalla LCD:

- ◆ Indica el encendido cuando se muestra texto u otra información
- ◆ Indica las condiciones que requieren una atención inmediata (batería agotada, fallos, errores) con un fondo rojo
- ◆ Muestra los indicadores de menú, los ajustes de la impresora, la asignación de los botones de función, valores, etc.

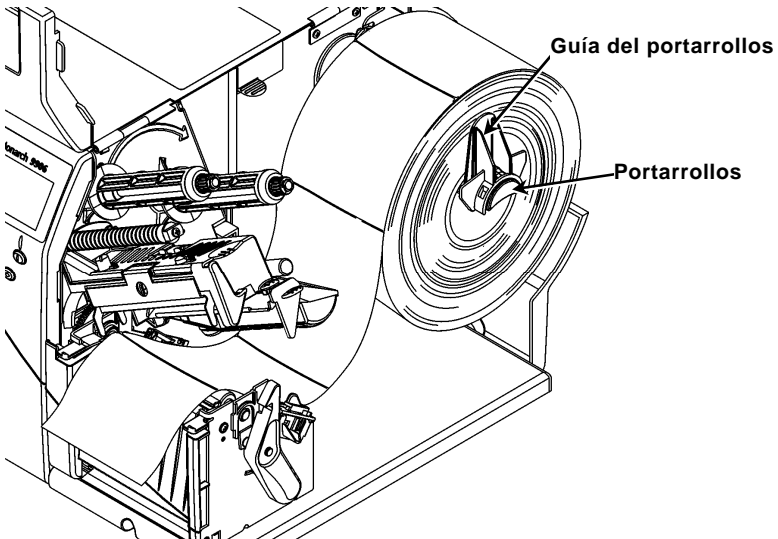


Carga de etiquetas

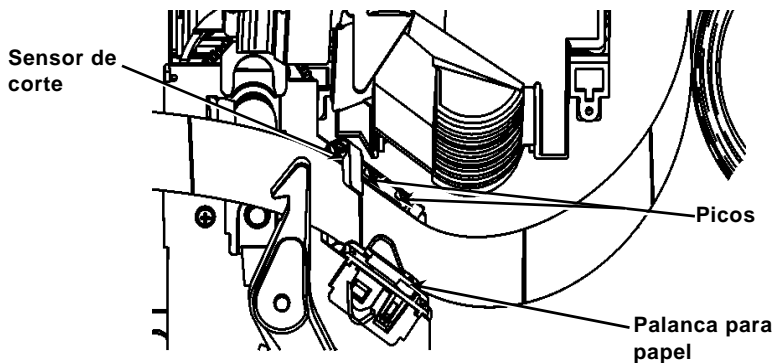
1. Abra la tapa.
2. Suelte el cabezal de impresión haciendo girar el seguro que lo sujeta.



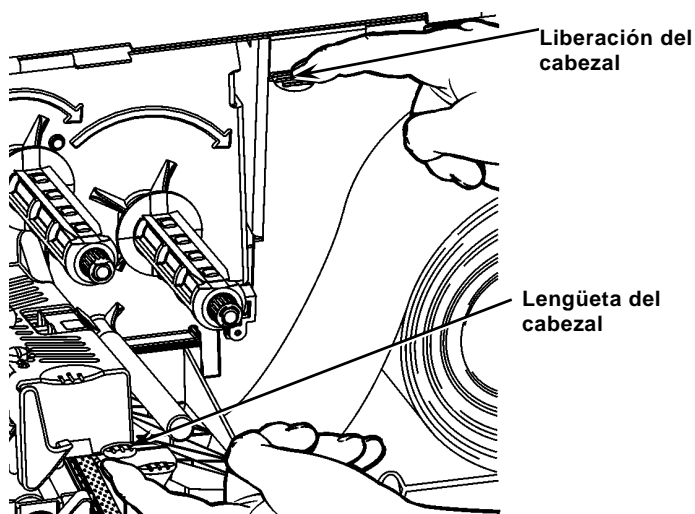
3. Levante la estructura del cabezal de impresión usando la lengüeta del cabezal hasta que la estructura quede fija.
4. Coloque el rollo de etiquetas en el portarrollos, situado contra el interior de la impresora.
5. Ajuste la guía del portarrollos de forma que apenas toque el rollo y asegúrese de que el rollo gira libremente.



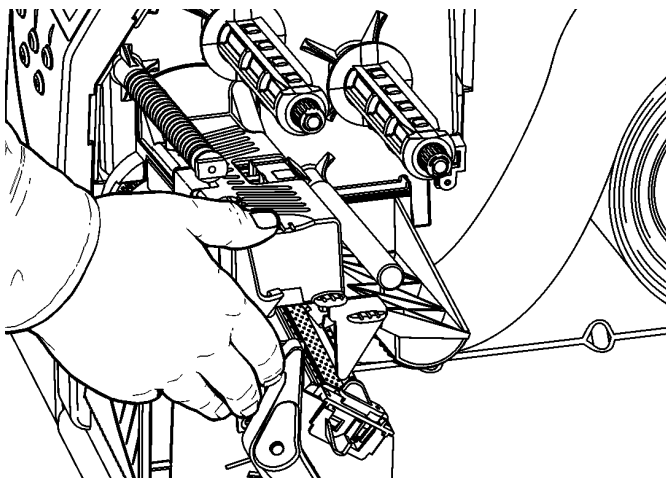
6. Empuje la palanca hacia abajo para liberar las guías de etiquetas.
7. Haga pasar la tira de etiquetas por la guía de manera que sobresalgan por delante de la impresora unos cuantos centímetros.
8. Pliegue el rollo de etiquetas por debajo de los picos y entre el sensor de corte.
9. Ajuste la guía de manera que apenas toque las etiquetas. Levante la palanca para fijar las guías en su lugar.



10. Sostenga la estructura del cabezal de impresión por la lengüeta mientras empuja hacia abajo el liberador del cabezal.



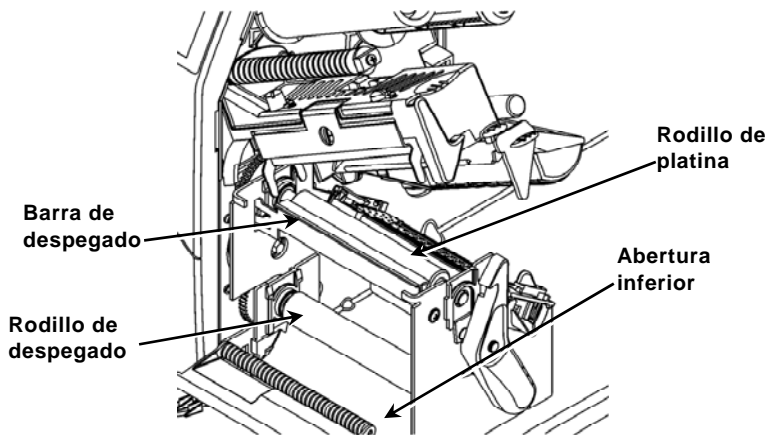
11. Cierre el cabezal presionando sobre la depresión para el pulgar hasta oír que se introduce con un chasquido.



12. Cierre la tapa de la impresora.
13. Pulse **FEED** (Alimentar).

Colocación de etiquetas para el modo de despegado opcional

1. Despegue las etiquetas de los 25 cm iniciales del papel de base.
2. Presione sobre las lengüetas de la tapa de salida para abrirla.
3. Coloque el papel de base sobre la barra de despegado, a lo largo de la guía y fuera por la abertura inferior en la tapa de salida.



4. Cierre la tapa de salida.
5. Cierre la tapa de la impresora.
6. Pulse **FEED** (Alimentar).

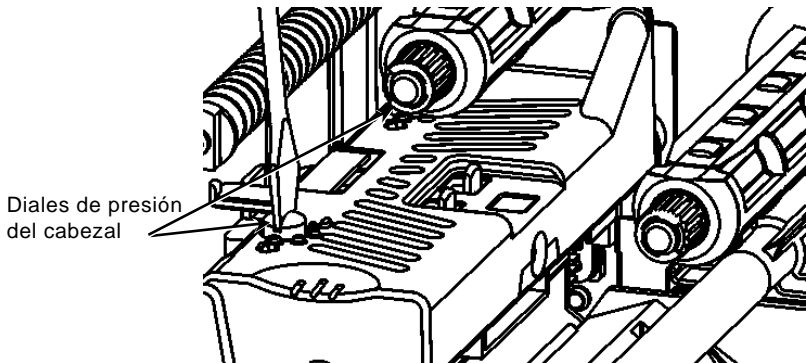
Para la carga de otras opciones de papel, consulte el manual del operador (*Operator's Handbook*).

Ajuste de los diales de presión del cabezal

El ajuste predeterminado es la menor presión, que ofrece una impresión óptima en la mayoría de casos. Si observa que la cinta se emborrona o se arruga, o que la impresión es de mala calidad, puede ser necesario ajustar los diales de presión del cabezal.

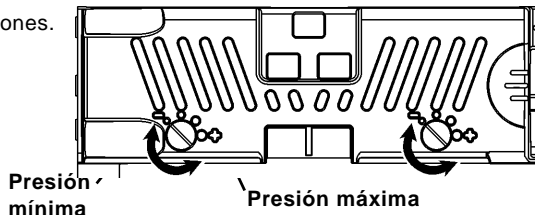
Ambos diales están colocados en cada borde del conjunto del cabezal (en el interior y el exterior). Los diales se pueden ajustar en distintas posiciones; sin embargo, el dial interior debe estar igual o con más presión que el exterior.

Cuando utilice papel de 10 cm de ancho, ambas ruedas deben estar ajustadas en idéntica presión. Utilice una moneda o un destornillador de punta plana para ajustar los diales.



Cada dial tiene cuatro posiciones.

- ◆ Presión mínima
- ◆ Presión ligera
- ◆ Presión mediana
- ◆ Presión máxima

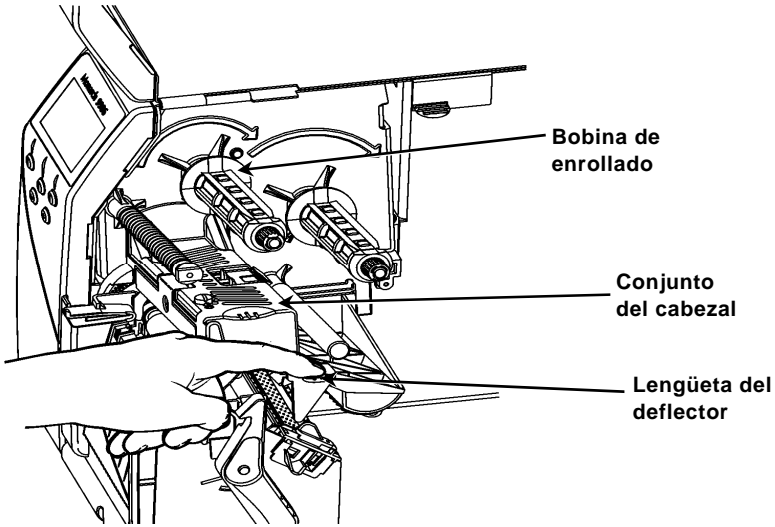


Imprima una etiqueta de prueba para comprobar la presión del cabezal; realice los ajustes necesarios. Consulte el manual del operador (*Operator's Handbook*) para obtener más información.

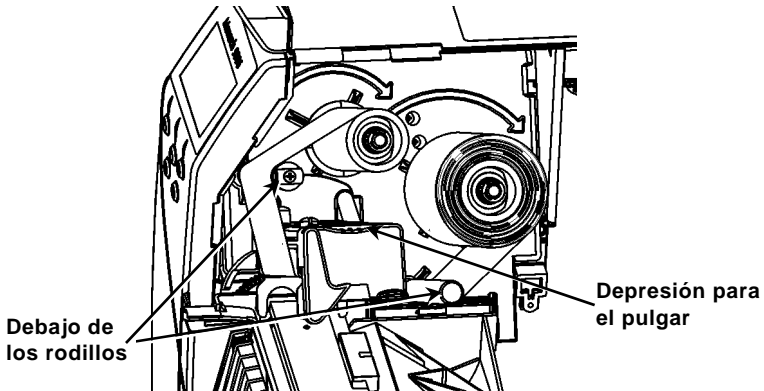
Colocación de una cinta

1. Abra la tapa.
2. Suelte el cabezal de impresión haciendo girar el seguro que lo sujeta.
3. Levante la estructura del cabezal de impresión usando la lengüeta del cabezal hasta que la estructura quede fija.

- Empuje la lengüeta del deflector hacia abajo.



- Deslice el núcleo de la cinta sobre la bobina de enrollado hasta su tope.
- Saque la cinta nueva del envoltorio.
- Deslice la cinta hasta su tope en la bobina trasera. Con cuidado, desenrolle unos cuantos centímetros de cinta desde la parte inferior del rollo.
- Pase la cinta por debajo de los rodillos y del cabezal de impresión.



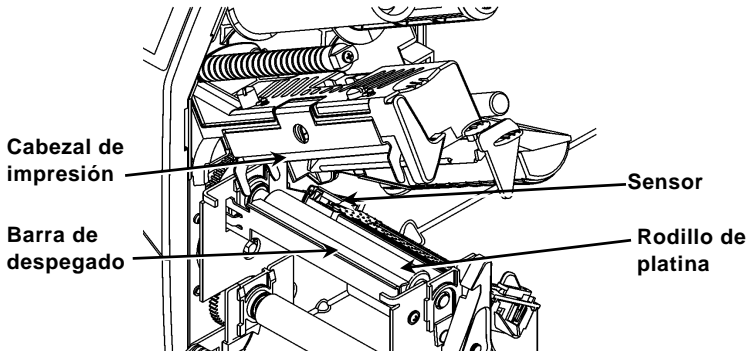
- Asegúrese de que la cinta esté recta y centrada en su recorrido.
- Pegue la cinta en el mandril de enrollado.
- Gire el mandril de enrollado hasta que el principio pase el cabezal de impresión.
- Tense la cinta girando el carrete de enrollado hacia la derecha.
- Sostenga la estructura del cabezal de impresión por la lengüeta mientras empuja hacia abajo el liberador del cabezal de impresión.
- Cierre el cabezal de impresión empujando sobre la depresión para el pulgar hasta que oiga que encaje.
- Ciérrelo. Cierre la tapa de la impresora.
- Pulse **FEED** (Alimentar).

Limpieza

Es necesario **limpiar** el cabezal de impresión como se describe más abajo para prolongar su vida útil.

Precaución: No utilice objetos afilados para limpiar el cabezal de impresión ni lo toque con los dedos, pues podría estropearse y necesitar su sustitución.

1. Apague la impresora y abra la tapa y el conjunto del cabezal de impresión.
2. Extraiga el rollo de etiquetas y la cinta (para limpiar el cabezal de impresión).
3. Presione sobre las lengüetas de la tapa de salida para abrirla.
4. Para eliminar el polvo y los residuos del sensor, utilice aire comprimido.
5. Utilice una CLEAN-STRIP (número de referencia 120350) para limpiar y eliminar la acumulación de adhesivo en el rodillo de platina, la barra de despegado, el sensor y el cabezal de impresión.



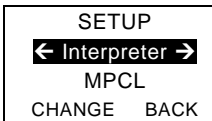
6. Deje que la impresora se seque antes de volver a colocar el papel.
7. Cierre la tapa de salida.
8. Cierre el conjunto del cabezal y la tapa de la impresora.
9. Encienda la impresora. Pulse **FEED** (Alimentar).

Selección del intérprete

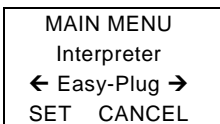
La impresora 9906 incorpora cuatro opciones de intérprete: MPCL, MLI, WMS XML y Easy-Plug. Para obtener más información sobre MLI consulte la *guía rápida de MLI*, para obtener más información sobre WMS XML consulte la *guía rápida de XML*, para obtener más información sobre Easy-Plug consulte el *manual de Easy-Plug* que se incluye en el CD-ROM.

En el menú principal, seleccione Setup (Configuración) y después:

1. Pulse **←** o **→** hasta que se muestra el intérprete en la pantalla.



2. Pulse **CHANGE** y **→** hasta que se muestra Easy-Plug en la pantalla.



3. Pulse **SET** para guardar el cambio.
 - ◆ La impresora se reinicia automáticamente después de seleccionar un intérprete. Este proceso puede tardar varios segundos.
 - ◆ Cuando se imprimen etiquetas con MLI definido como el intérprete, el número de modelo que aparece es **M9906MLI**.
 - ◆ Cuando se imprimen etiquetas con Easy-Plug definido como el intérprete, el número de modelo que aparece es **M9906EP**.

RFID (si instalado)

La impresora 9906 con RFID se ha concebido para que programe (codifique) un transpondedor RFID (Radio Frequency Identification), también llamado “tag o etiqueta RFID”, antes de imprimir el formato de la etiqueta. Los transpondedores RFID contienen un dispositivo RFID (chip y antena).

La función RFID sólo está disponible en impresoras que utilizan etiquetas troqueladas o de marca negra.

La impresora es compatible con codificación de protocolo de Clase 1, Generación 2 (C1Gen2).



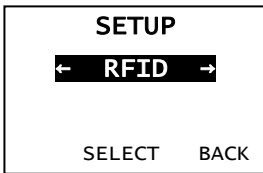
Los consumibles de RFID son sensibles a la electricidad estática, y podrían resultar dañados. Descárguese tocando algún metal, por ejemplo la base metálica de la impresora, antes de manipular los transpondedores.

La radio UHF opera en la gama de frecuencias de 902 a 928 MHz de acuerdo con las normas y reglas de la FCC.

Menú de configuración de RFID

Utilice el menú RFID Setup (Configuración RFID) para leer una etiqueta, ajustar la potencia de RF, y borrar los datos.

El elemento de menú Read Tag (Leer etiqueta) permite leer los datos EPC programados en una etiqueta RFID.



Consulte la *RFID Web Setup Utility* en <http://www.servisource1.com/prnutil/rfidsetup> para ajustar el nivel de potencia de RF.

La impresora almacena el número de etiquetas programadas fallidas e imprimidas con éxito. Borre este registro con el elemento de menú Clear Data (Borrar datos). Dependiendo de la aplicación y de la cantidad de etiquetas impresas, puede ser recomendable borrar estos datos a diario o después de cada lote.

Para cambiar los parámetros, en el menú principal, seleccione Setup (Configuración) y entonces RFID.

Si la etiqueta RFID no puede programarse por alguna razón, puede imprimirse con un patrón de tachado, que significa que no debe usarse. El administrador del sistema debería ajustar el parámetro Error Action.

Si ve los errores de RFID 740 – 749, consulte al administrador del sistema.

Consulte el *manual del operador (Operator's Handbook)* y las *notas de aplicación (Application Notes)* para obtener más información.

Solución de problemas

En esta sección se relacionan los problemas más frecuentes y sus posibles soluciones.

Problema	Acción
Al encender aparece un mensaje de error.	Apague la impresora, espere quince segundos y enciéndala de nuevo. Si el mensaje de error persiste, llame al servicio técnico.
No imprime.	Compruebe el papel y la cinta, envíe un paquete corregido de formato y lote.
No hace avanzar las etiquetas.	Ajuste de los diales de presión del cabezal.
Impresión parcial de datos.	Limpie el cabezal de impresión, envíe un paquete corregido de formato.
Impresión muy clara/oscura, impresión con sombras o espacios vacíos.	Limpie el cabezal de impresión, cambie el papel, ajuste el contraste de impresión, compruebe los diales de presión, compruebe la cinta.
Los códigos de barras en serie no se leen.	Deje el cabezal abierto cuando no use la impresora, utilice una velocidad de impresión de 2,5 pps, ajuste del contraste de impresión.
El papel de base se enrolla en el rodillo de pletina o de despegado.	Retire con cuidado el papel de base. Asegúrese de que el papel pueda separarse por el extremo dentado cuando se utilice el modo de retroceso y de despegado.
La impresora no lee ni programa la etiqueta de RFID.	Consulte al administrador del sistema.

Errores frecuentes

Error	Descripción/acción
002	El nombre debe tener entre 1 y 8 caracteres y estar entrecomillado.
005	Ancho de papel no válido.
018	Selección de página de códigos no válida.
025	La longitud de los datos es excesiva.
101	El formato al que se hace referencia en el lote no se encuentra en la memoria.
400	El carácter que sigue a { no es válido.
403	No se encontró el separador de campo.
409	La memoria de la impresora está llena. Borre los elementos sin uso.
410	Incompatibilidad de paridad.
411	Error de trama (incompatibilidad de velocidad en baudios).
412	Incompatibilidad de control de flujo.
413	La memoria temporal de recepción está llena. Compruebe el control de flujo.
611	La fuente, el código de barras o la densidad del lote no se ajustan al formato.
612	Faltan los datos de esta línea del lote o no son compatibles con el formato.
613	Punto de referencia fuera de la etiqueta.
614	Porción de campo fuera del papel o carácter no válido en el paquete.
703	La impresora detectó una calibración de marcas negras de diferente tamaño. Asegúrese que se colocó el tipo correcto de etiquetas.
704	La impresora no detectó una marca de papel dentro de la longitud esperada o no quedan etiquetas. Asegúrese de que la impresora esté ajustada para el tipo de papel correctoColocar las etiquetas. Limpie el sensor.
751	La impresora no detectó una marca de papel esperada. Pulse ESCAPE (Escape/Borrar) para seguir imprimiendo. Cambie el papel.
752	La impresora ha detectado una marca en un lugar equivocado.
753	La impresora ha detectado una marca demasiado larga.
754	Compruebe si la cinta está atascada o elimine la holgura en la cinta. Coloque una cinta nueva.
755	El cabezal de impresión está abierto. Cíérrelo.
756	Coloque papel y limpie el sensor.
757	Coloque papel (la longitud del papel no coincide). Pulse FEED (Alimentar).
758	No se detecta el papel, el sensor a demanda está averiado o se ha sacado una etiqueta con demasiada rapidez. Compruebe si hay atasco o vuelva a colocar las etiquetas.
763	Esperando a dispensar la etiqueta. Pulse FEED (Alimentar).
765	El cabezal de impresión tiene menos de 8 puntos defectuosos y puede desplazar los campos de código de barras para evitar esos puntos. Pulse ESCAPE (Escape/Borrar) para seguir imprimiendo.
768	El cabezal de impresión tiene más de 8 puntos defectuosos o no está conectado. Conecte o sustituya el cabezal de impresión.

Errores RFID

Para los errores, consulte las *Notas de aplicación para RFIDMP*. Consulte al administrador del sistema acerca del formato correcto. La impresora **no** se recalibra (hace avanzar una etiqueta en blanco) después de los errores de RFID.

Error	Descripción/acción
-------	--------------------

052	El tipo del campo de datos de RFID no es válida.
226	Regla de línea de registro xx. El dispositivo de descarga debe ser H (Host) para la opción 6.
228	El identificador de clase de la memoria no es válido.
229	El código de byte no es válido.
230	El código de bloqueo no es válido.
715	Invalid data length/data mismatch (Longitud de datos no válida o discrepancia de datos). Los datos del campo de datos de RFID tienen una longitud incorrecta o el tipo de datos seleccionado no corresponde al de los datos introducidos. Este error también ocurre cuando hay un error en los campos de C1 gen. 2 ampliados.
740	Command, hardware, inventory, or memory allocation error (Error de comando, hardware, inventario o asignación de memoria). Puede haber un error en algún dispositivo de RFID o en la asignación de memoria.
741	RFID tag missing (Falta etiqueta de RFID). No se encuentra la etiqueta en el campo de RF. La etiqueta de RFID no se ha encontrado en el campo de RF (zona dentro de la impresora en que se programa la etiqueta de RFID). Compruebe que hay abastecimiento de papel. Si modificó la posición del papel o la de impresión, asegúrese de que la etiqueta de RFID no se salió del margen programable.
742	Tag erase failed (No se pudo borrar la etiqueta). Se encontró la etiqueta de RFID en el campo de RF, pero no pudo borrarse. Aumente el número de intentos.
743	Program tag failed (No se pudo programar la etiqueta). Se encontró la etiqueta RFID en el campo de RF, pero no pudo programarse. Aumente el número de intentos.
744	Tag locked fail (Etiqueta ya bloqueada). La etiqueta de RFID no puede programarse porque ya está bloqueada. Se considera una etiqueta de RFID defectuosa.
746	Lock tag fail (No se pudo bloquear la etiqueta). La etiqueta de RFID no se ha bloqueado para impedir que se re programe. Se considera una etiqueta de RFID defectuosa.
747	Time out failure (Fallo de tiempo superado). Algún comando de RFID (leer, programar, etc.) no ha terminado en el tiempo máximo permitido.
748	Invalid data length/data mismatch from RFID interrogator module (Longitud de datos no válida o discrepancia de datos en el módulo interrogador de RFID). El módulo interrogador de RFID ha encontrado un problema en los datos recibidos de la impresora.
749	RFID Verify Fail (Error de verificación de RFID). El proceso de verificación de RFID ha fallado después de grabar (programar) la etiqueta. Se considera una etiqueta de RFID defectuosa.

SNABBGUIDE

Denna *Snabbguide* innehåller procedurer för laddning av förbrukningsmateriel och allmän skötsel och underhåll av skrivare modell Monarch® 9906. För mer information, se *Användarhandboken* som är tillgänglig på vår webbplats (www.monarch.com). För information om att skapa format eller konfigurera/programmera skrivaren, se *Packet Reference Manual* på vår webbplats.

Läs noga säkerhetsinformationen i dokumentet *Överensstämmelse med krav från tillsynsmyndigheter* som medföljer din skrivare. Informationen i detta dokument ersätter informationen i tidigare versioner. Besök vår webbplats för information om nya dokument och utgåvor.

Ansluta kablarna

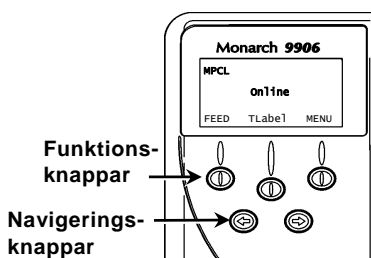
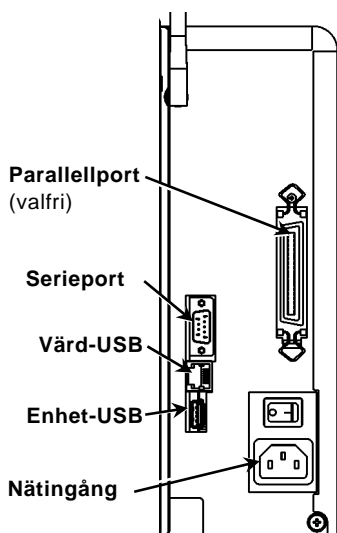
Nätkabeln växlar automatiskt mellan 115 och 230 volt.

1. Anslut nätkabeln till nätingången på skrivaren och sätt stickkontakten i ett jordat eluttag.
2. Anslut kommunikationskabeln till lämplig port.
3. Sätt på skrivaren. Tryck på (I) för att sätta på skrivaren och på (O) för att stänga av den.

Använda kontrollpanelen

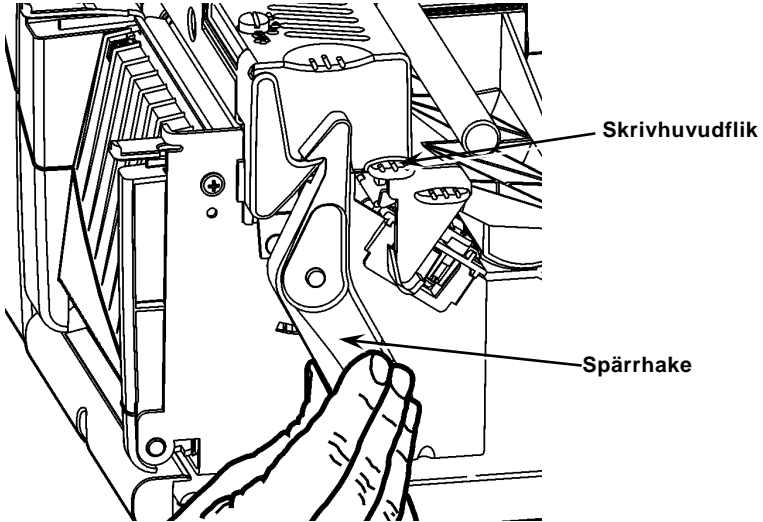
Kontrollpanelen består av en fyrradig LCD-display, tre funktionsknappar och två navigeringsknappar. Funktionen hos varje knapp varierar beroende på arbetsuppgiften. LCD-displayen (FEED = Mata fram, TLabel = TEtikett, MENU = Meny):

- ◆ Indikerar ström På när text eller annan information visas.
- ◆ Indikerar tillstånd som kräver omedelbar uppmärksamhet (svagt batteri, fel) mot en röd bakgrund.
- ◆ Visar menyprompter, skrivarinställningar, funktionsknapparnas funktioner, värden, etc.

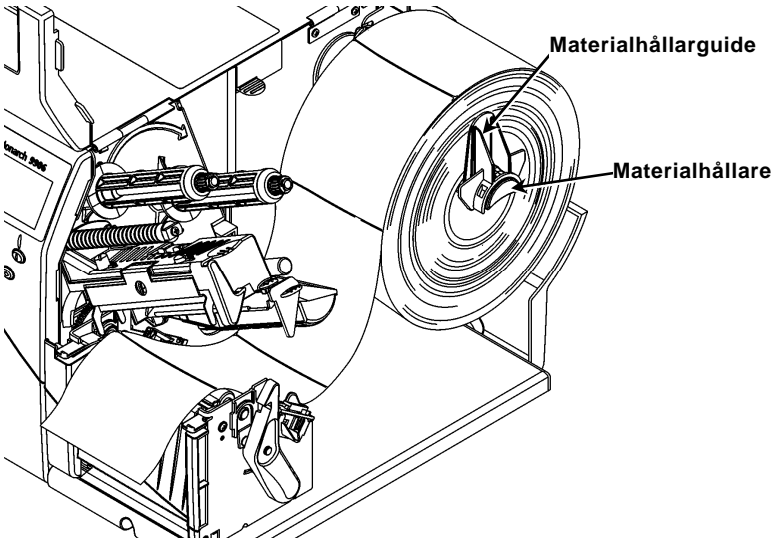


Ladda etiketter

1. Öppna kåpan.
2. Frigör skrivhuvudet genom att vrida på spärrhaken.

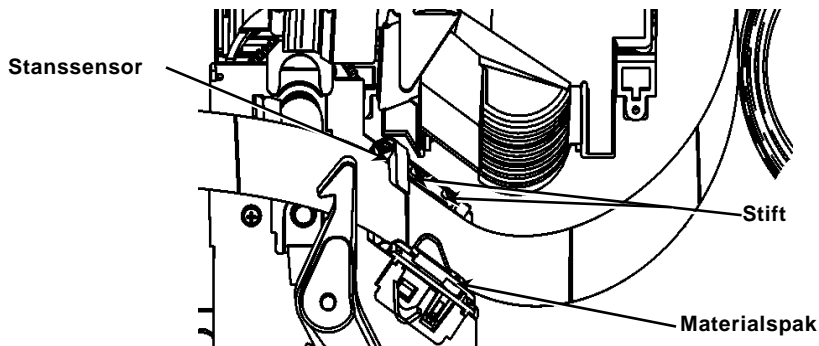


3. Lyft upp skrivhuvudenheten med hjälp av skrivhuvudfliken tills enheten låser fast på plats.
4. Placera materialrullen på materialhållaren som sitter på skrivarens insida.
5. Justera materialhållarguiden så att den nästan vidrör materialrullen samtidigt som rullen kan snurra fritt.

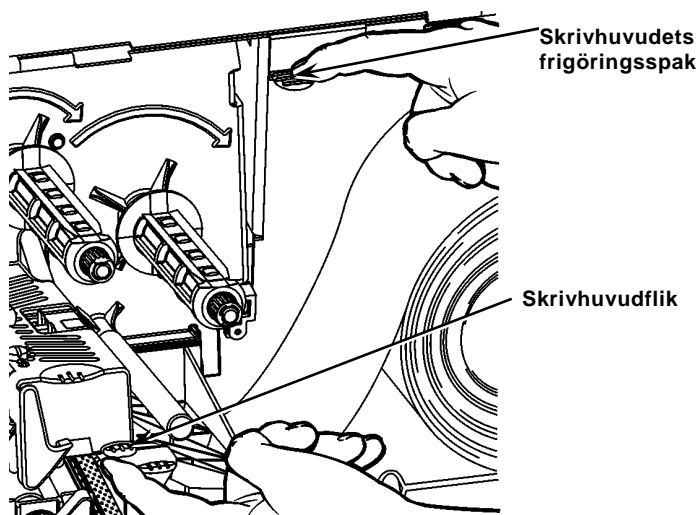


6. Tryck ned materialspaken för att frigöra materialguiden.

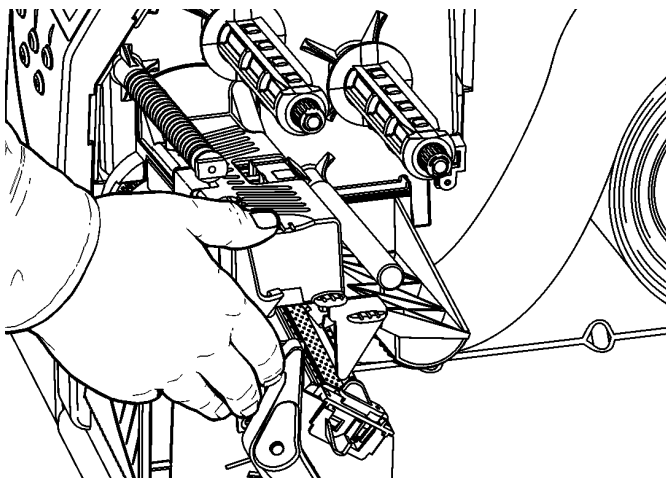
7. Lägg etikettremsan över materialguiden så att cirka 5 cm av remsan sträcker sig förbi skrivarens front.
8. För in materialet under stiften och in mellan stanssensorn.
9. Justera materialguiden så att den nästan vidrör materialet. För upp materialspaken för att låsa materialguiderna på plats.



10. Håll skrivhuvudenheten med hjälp av skrivhuvudfliken samtidigt som du trycker på skrivhuvudets frigöringspak.



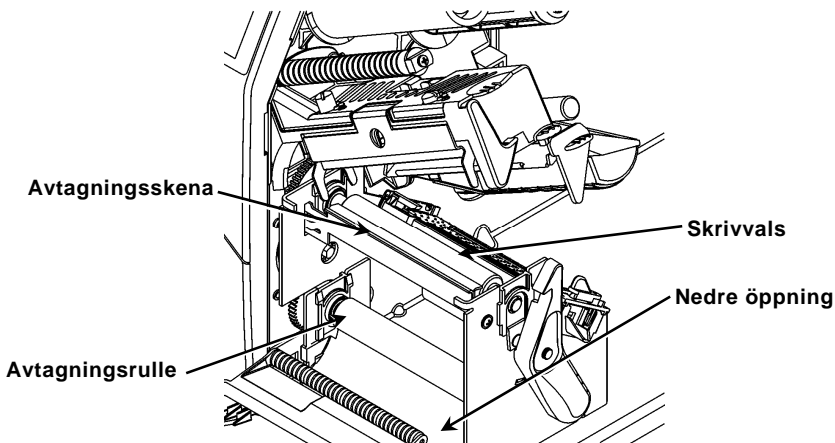
11. Stäng skrivhuvudet genom att trycka nedåt på tumfördjupningen tills du hör huvudet klicka fast på plats.



12. Stäng skrivarens kåpa.
13. Tryck på **FEED** (Mata fram).

Ladda etiketter för det valfria avtagningsläget

1. Avlägsna etiketterna från de första 25 cm av linerpapperet.
2. Tryck ned utloppskåpens flikar för att öppna utloppskåpan.
3. Mata linerpapperet över avtagningssskenan, längs glidbanan och ut genom den nedre öppningen i utloppskåpan.



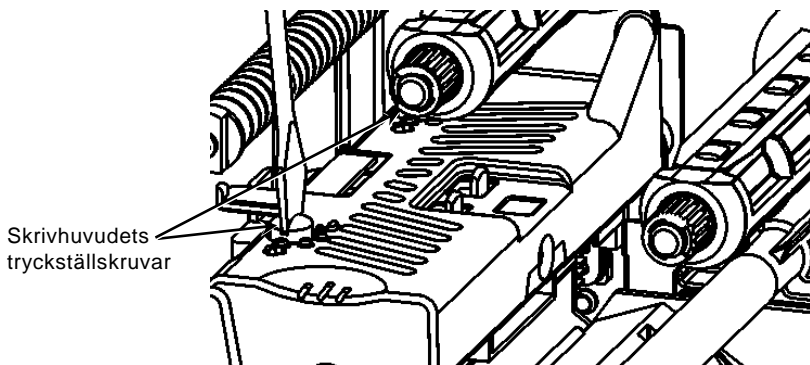
4. Stäng utloppskåpan.
5. Stäng skrivarens kåpa.
6. Tryck på **FEED** (Mata fram).

För ytterligare alternativ för att ladda material, se *Användarhandboken*.

Justera skrivhuvudets tryckställskruvar

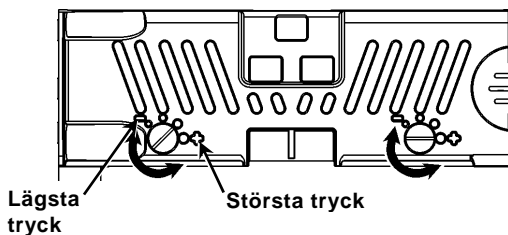
Den förvalda inställningen är det lägsta trycket, vilket i de flesta fall ger optimala utskrifter. Om du observerar fläckar, skrynklade band eller dålig utskriftskvalitet kanske du behöver justera skrivhuvudets tryckställskruvar.

De två tryckställskruvarna sitter på vardera kanten av skrivhuvudenheten (innanför och utanför). Tryckställskruvarna kan ställas in i olika positioner, men den inre tryckställskruvens tryck bör vara lika med eller större än den yttre tryckställskruvens tryck. När material med 4 tums bredd används bör båda tryckställskruvarna ställas in på samma tryck. Använd ett mynt eller en flat skruvmejsel för att justera tryckställskruvarna.



Varje tryckställskruv har fyra lägen:

- ◆ Lägsta tryck
- ◆ Lätt tryck
- ◆ Medium tryck
- ◆ Största tryck

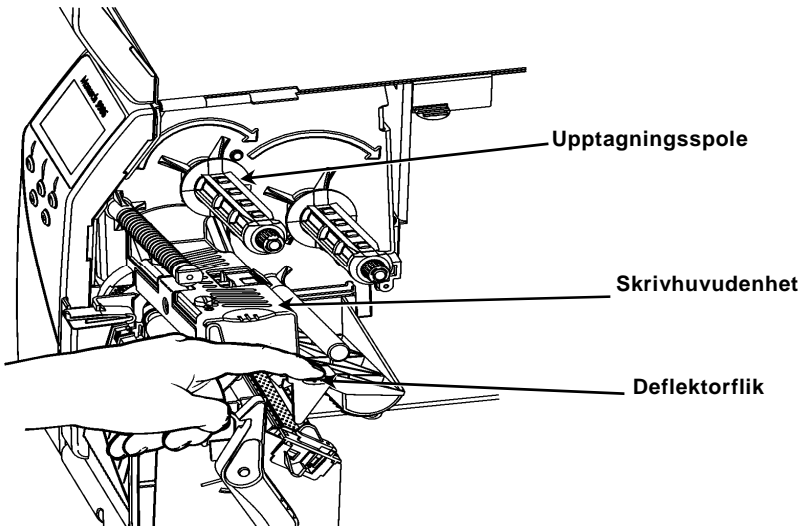


Skriv ut en provetikett och kontrollera skrivhuvudets tryck. Justera efter behov. Se *Användarhandboken* för mer information.

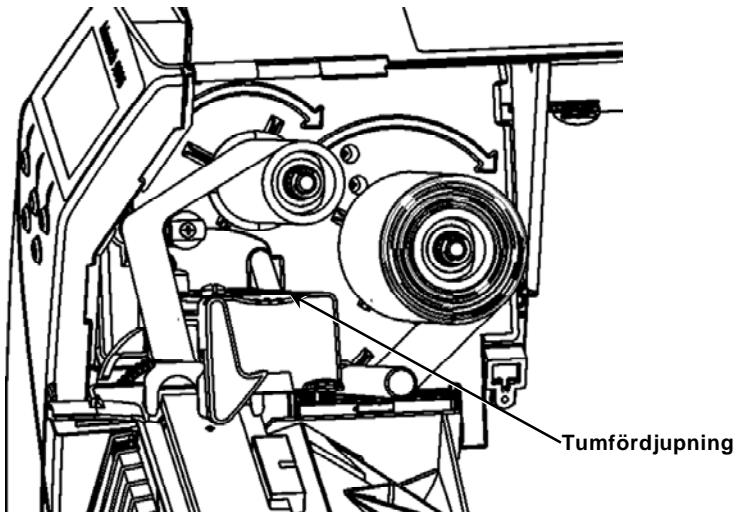
Ladda skrivband

1. Öppna kåpan.
2. Frigör skrivhuvudet genom att vrida på skrivhuvudets spärrhake.
3. Lyft upp skrivhuvudenheten med hjälp av skrivhuvudfliken tills enheten låser fast på plats.

4. Tryck ned deflektorfliken.



5. För på den extra skrivbandhylsan på upptagningsspolen så långt det går.
6. Ta fram det nya skrivbandet ur förpackningen.
7. För på skrivbandet hela vägen på den bakre spolen. Linda försiktigt upp några tum från botten av skrivbandsrullen.
8. Mata försiktigt skrivbandet under båda skrivbandsrullarna och skrivhuvudet.



9. Se till att skrivbandet löper rakt och centrerat längs hela banan.
10. Tejpa fast skrivbandet på upptagningsspolen.
11. Rotera upptagningsspolen tills ledarbandet har kommit förbi skrivhuvudet.
12. Eliminera eventuell slakhet i skrivbandet genom att vrida upptagningsspolen medurs.

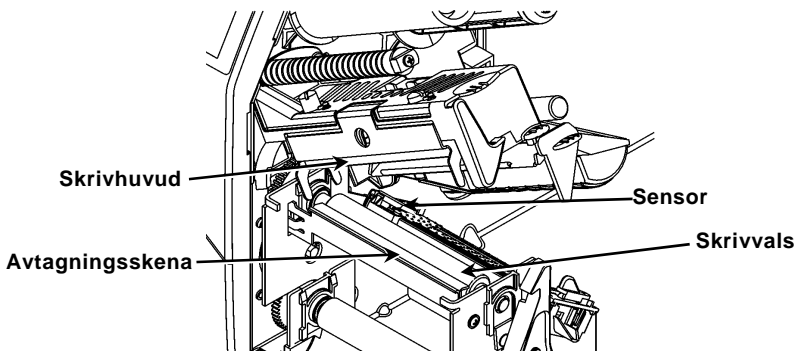
13. Håll skrivhuvudenheten med hjälp av skrivhuvudfliken samtidigt som du trycker på skrivhuvudets frigöringsspak.
14. Stäng skrivhuvudet genom att trycka nedåt på tumfördjupningen tills du hör att huvudet klickar fast på plats.
15. Stäng skrivarens kåpa. Stäng skrivarens kåpa.
16. Tryck på **FEED** (Mata fram).

Rengöring

Du **måste** rengöra skrivhuvudet enligt beskrivning för att upprätthålla skrivhuvudets livslängd.

Försiktighet: Använd **inte** vassa föremål för att rengöra eller hantera skrivhuvudet. Detta kan skada skrivhuvudet och kräva reparation med tillhörande kostnader.

1. Stäng av skrivaren och öppna kåpan och skrivhuvudenheten.
2. Avlägsna etikettrullen och skrivbandet (när skrivhuvudet rengörs).
3. Tryck ned utloppskåpan's flikar för att öppna utloppskåpan.
4. Spraya med tryckluft för att ta bort damm och skröp från sensorn.
5. Använd en CLEAN-STRIP (artikelnummer 120350) för att rengöra och ta bort limrester från skrivarvalsen, avtagningsskenan, sensorn och skrivhuvudet.



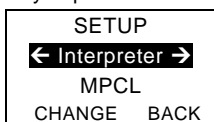
6. Låt skrivaren torka och sätt sedan materialen på plats.
7. Stäng utloppskåpan.
8. Stäng skrivhuvudenheten och skrivarens kåpa.
9. Sätt på skrivaren. Tryck på **FEED** (Mata fram).

Välja Interpreter

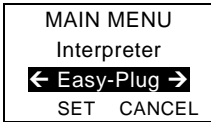
Skrivaren 9906 har fyra Interpreter-alternativ: MPCL, MLI, WMS XML och Easy-Plug. För mer information om MLI, se *Snabbguiden för MLI (MLI Quick Reference)*, för mer information om WMS XML, se *Snabbguiden för XML (XML Quick Reference)*, för mer information om Easy-Plug, se *Handboken för Easy-Plug (Easy-Plug Manual)* på CD-skivan.

I Main Menu (huvudmenyn) väljer du F2 Setup (inställningar).

1. Tryck på **←** eller **→** tills Interpreter visas på skärmen.



2. Tryck på **CHANGE** (ändra) och tryck sedan på → tills Easy-Plug visas på skärmen.



3. Tryck på SET (ställ in) för att spara ändringen.
- ◆ Skrivaren startar automatiskt om när du har valt Interpreter. Denna process kan ta flera sekunder.
 - ◆ När du skriver ut testetiketter med MLI som Interpreter visas modellnumret som **M9906MLI**.
 - ◆ När du skriver ut testetiketter med Easy-Plug som Interpreter visas modellnumret som **M9906EP**.

RFID (om den är installerad)

Skrivaren 9906 med RFID har utvecklats för att programmera (koda) en RFID (Radio Frequency Identification)-etikett (allmänt kallade "RFID-taggar") innan etikettens format skrivs ut. RFID-taggar innehåller ett inbyggt RFID-inlägg (chip och antenn).

RFID är endast tillgänglig med hjälp av stansning eller black mark-produkter.

Skrivaren stöder protokollkodning av Klass 1, Generation 2 (C1Gen2).



RFID-produkter kan skadas av statisk elektricitet. Jorda dig själv genom att röra vid metall, till exempel skrivarens metallbas, före hantering av produkter.

UHF-radion fungerar i frekvensområdet 902 till 928 MHz i enlighet med FCC:s regler och förordningar.

Menyn RFID Setup (RFID-inställningar)

Använd menyn RFID Setup (RFID-inställningar) för att läsa en tagg, ställa in RF-energi och ta bort data.

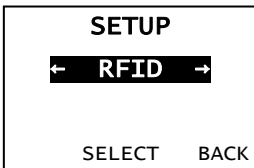
Menyobjektet Read Tag (Läs tagg) låter dig läsa EPC-programmerade data i en RFID-tag.

Se *RFID Web Setup Utility* vid <http://www.servisource1.com/prnutil/rfidsetup> för att ställa in nivån på RF-energin.

Skrivaren lagrar antalet lyckade och misslyckade programmerade taggar.

Rensa detta register genom att använda menyobjektet Clear Data (Ta bort data). Beroende på ditt program och volymen utskrivna etiketter kanske du vill ta bort dessa data dagligen eller efter varje sats.

För att komma åt RFID-inställningar väljer du Setup (Inställningar) från Main Menu (Huvudmenyn), sedan RFID.



Om RFID-taggen inte är programmerbar av någon anledning kan etiketten skrivas ut med ett överstrykningsmönster, vilket visar att den inte bör användas. Din systemadministratör bör ställa in önskad Error Action (Felåtgärd) därefter.

Felsökning

Detta avsnitt beskriver vanliga problem och hur du åtgärdar dem.

Problem	Åtgärd
Ett felmeddelande visas under uppstart.	Stäng av skrivaren, vänta 15 sekunder och sätt sedan på skrivaren igen. Kontakta kundtjänst om felmeddelandet visas igen.
Skrivaren skriver inte.	Kontrollera material och skrivband och skicka ett korrigerat format- och satspaket.
Skrivaren matar inte fram.	Justera skrivhuvudets tryckställskruvar.
Data skrivs endast ut delvis.	Rengör skrivhuvudet och skicka ett korrigerat formatpaket.
Ljusa/mörka utskrifter, skuggor eller tomma ytor i utskrifter.	Rengör skrivhuvudet, byt material, justera skrivkontrasten, kontrollera skrivhuvudets tryckställskruvar, kontrollera skrivbandet.
Seriella streckkoder scannas inte.	Låt skrivhuvudet vara frigjort när det inte används, använd en skrivhastighet på 2,5 ips (tum/s), justera skrivkontrasten.
Linerpapper är lindat runt skrivvalsen eller avtagningsrullen.	Avlägsna försiktigt linerpapperet. Se till att linerpapperet rivs av vid den sågtandade rivkanten när du använder backmatningsläge och avtagningsläge.
Skrivaren läser eller programmerar inte RFID-taggen.	Kontakta din systemadministratör

Vanliga fel

Fel	Beskrivning / Åtgärd
002	Namn måste innehålla 1 till 8 tecken inom citationstecken.
005	Ogiltigt materialbredd.
018	Ogiltigt kodsidval.
025	För lång datalängd.
101	Formatet som satsen refererar till finns inte i minnet.
400	Ogiltigt tecken efter {.
403	Fältseparator hittades inte.
409	Skrivarens minne är fullt. Ta bort poster som inte används.
410	Paritet stämmer inte.
411	Inramningsfel (fel baudhastighet).
412	Flödeskontroll överensstämmer inte.
413	Online-mottagningsbufferten är full. Kontrollera flödeskontrollen.
611	Font, streckkod eller densitet i satsen passar inte formatet.
612	Data i denna rad av satsen saknas eller matchar inte formatet.
613	Referenspunkt förskjuten från material.
614	Del av fält utanför material eller ogiltigt tecken i paketet.
703	Skrivaren detekterade en kalibrering av svarta märken av olika storlek. Kontrollera att rätt materialtyp är laddad.
704	Skrivaren detekterade inte ett materialmärke som förväntat eller har slut på material. Kontrollera att skrivaren är inställd på rätt materialtyp. Fyll på material. Eller rengör sensorn.
751	Skrivaren detekterade inte ett svart märke som förväntat. Tryck på ESCAPE (ESCAPE) för att fortsätta skriva ut. Byt material.
752	Skrivaren detekterade ett märke på fel plats.
753	Skrivaren detekterade ett märke som är för långt.
754	Kontrollera om skrivbandet har trasslat in sig eller eliminera eventuell slakhet i bandet. Sätt i ett nytt skrivband.
755	Skrivhuvudet är öppet. Stäng skrivhuvudet.
756	Ladda material och/eller rengör sensorn.
757	Ladda material (materialets längd matchar inte). Tryck på FEED (Mata fram) .
758	Material syns inte, on-demand-sensor är trasig eller en etikett har avlägsnats för snabbt. Kontrollera avseende etikettrassel eller ladda material på nytt.
763	Väntar på att mata ut etikett. Tryck på FEED (Mata fram) .
765	Skrivhuvudet har mindre än 8 dåliga punkter och kan växla streckkodsfält för att undvika dåliga punkter. Tryck på ESCAPE (ESCAPE) för att fortsätta skriva ut.
768	Skrivhuvudet har mer än 8 dåliga punkter eller är inte ansluten. Anslut eller byt ut skrivhuvudet.

RFID-fel

Se *RFID Application Notes (Användarbeskrivning för RFID)* för mer information. Kontrollera med din systemadministratör om formatet. Skrivaren kalibrerar **inte** om (matar en tom etikett) efter ett RFID-fel.

Fel	Beskrivning/Åtgärd
052	Datatyp i RFID-datafältet är ogiltig.
053	Startblocket i RFID-datafältet är ogiltigt.
226	Regelpost rad xx. Uppladdningsenheten är ogiltig.
228	Minnesklassidentifieraren är ogiltig.
229	Bytekoden är ogiltig.
230	Låskoden är ogiltig.
715	Ogiltig datalängd/felmatchning av data i RFID-datafältet. Det här felet inträffar även när det finns ett fel i de utvidgade C1Gen2-fälten.
732	RFID-maskinvarufel En icke-RFID-skrivare fick ett format som innehåller ett RFID-datafält.
740	Kommando-, maskinvaru- eller minnesallokeringsfel.
741	RFID-tagga saknas - hittades inte i det område inuti skrivaren där RFID-taggen är programmerad. Kontrollera laddning av material. Se till att RFID-taggen inte flyttades ut från det programmerbara området.
742	Radering av tagg misslyckades. RFID-taggen hittades i RF-fältet, men kunde inte raderas.
743	Programmering av tagg misslyckades. RFID-taggen hittades i RF-fältet, men kunde inte programmeras.
744	Misslyckande på grund av låsning av tagg. RFID-taggen kan inte programmeras eftersom den redan är låst.
746	Misslyckande eftersom tagg inte är låst. RFID-taggen har inte låsts för att förhindra omprogrammering.
747	Misslyckande på grund av timeout. Ett RFID-kommando (läs, programmera etc.) har misslyckats med att slutföras inom den maximala tillåtna tiden.
748	Ogiltig datalängd/felmatchning av data från RFID-utfrågningsmodulen.
749	RFID-verifiering misslyckades. RFID-verifiering misslyckades efter att tagg skrivits (programmerats).

