

MONARCH[®] 9433[™] VEHICLE MOUNT INSTRUCTIONS

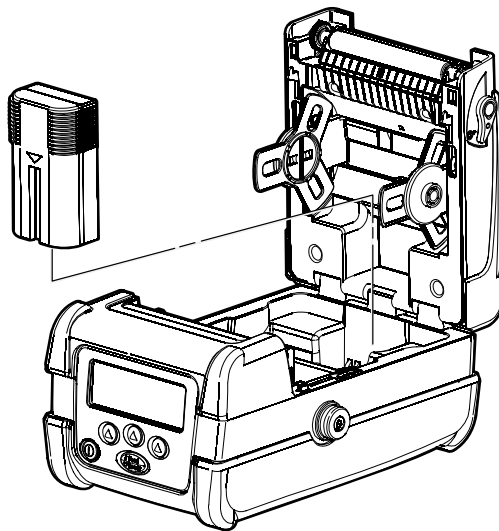
Using the Vehicle Mount, you can attach your Monarch[®] 9433[™] printer to a forklift or other vehicle.

This document describes how to install and use the vehicle mount with the printer.

Note: The information in this document supersedes information in previous versions. Check our Web site (www.monarch.com) for any updates.

Installing the Battery Pack

1. Pull the release levers on both sides of the printer to open the supply door.
2. Insert the connector end of the battery pack into the printer and close the supply door until the levers click into place.



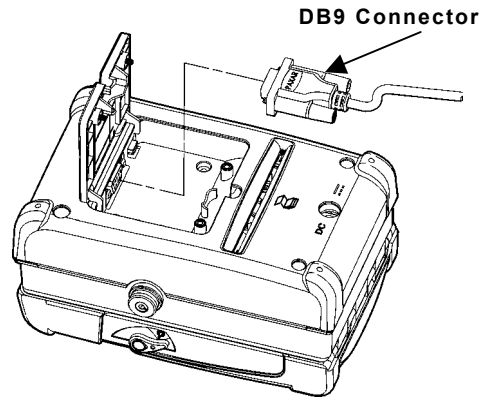
Connecting the Communications Cables

The printer uses either 9-pin serial communications or USB communications. For best results, use only Monarch® cables.

Open the hinged cable door by loosening the two Phillips screws and lifting up on the door.

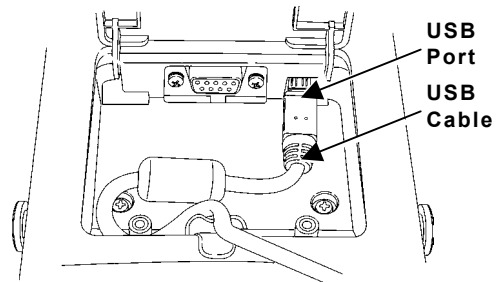
Serial Cable

1. Plug the DB9 connector into the DB9 port.
2. Place the cable in the cable cavity.
3. Close the hinged cable door and tighten the screws.



USB Cable

1. Plug the USB cable into the USB port.
2. Lock the cable in place by placing it behind the left screw post and into the cable cavity as shown.
3. Closed the hinged cable door and tighten the screws.



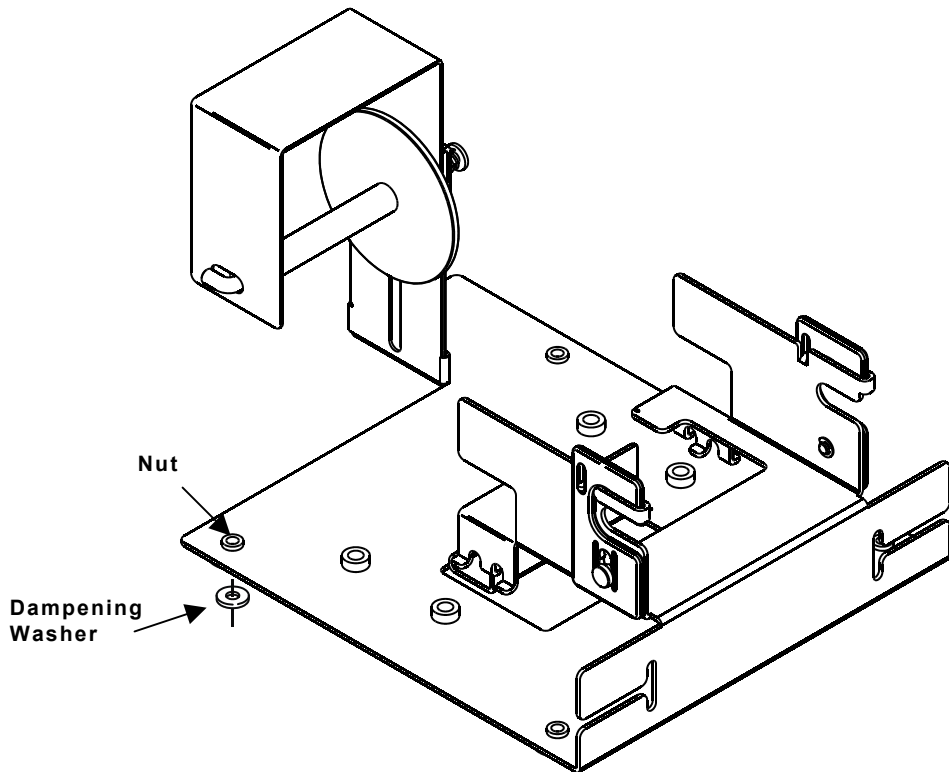
Installing the Mount

Following is a list of the mounting hardware. This hardware is not provided for vertical mounting.

- ◆ four screws (1/4-20 x 2 1/4 socket head cap)
- ◆ four 1/4-inch flat washers
- ◆ four dampening washers
- ◆ one clamping plate
- ◆ four M5x0.8 screws (not included)

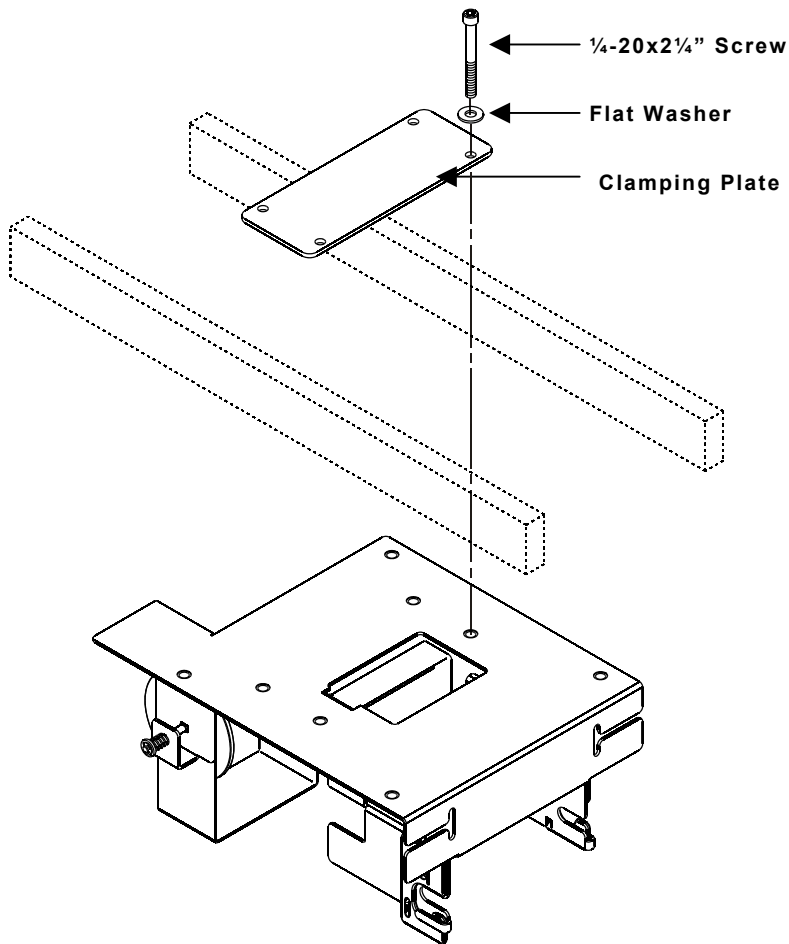
Installing on a Tabletop

1. Select a suitable location for the mount on your vehicle.
2. Align the four outside holes on the vehicle mount with the corresponding holes in your vehicle.
3. Place the four dampening washers between the vehicle and the bottom of the vehicle mount. The washers should be aligned with the nuts on the vehicle mount and the holes on your vehicle.
4. Attach the vehicle mount to your vehicle using four M5x0.8 screws.



Installing Overhead (Upside Down)

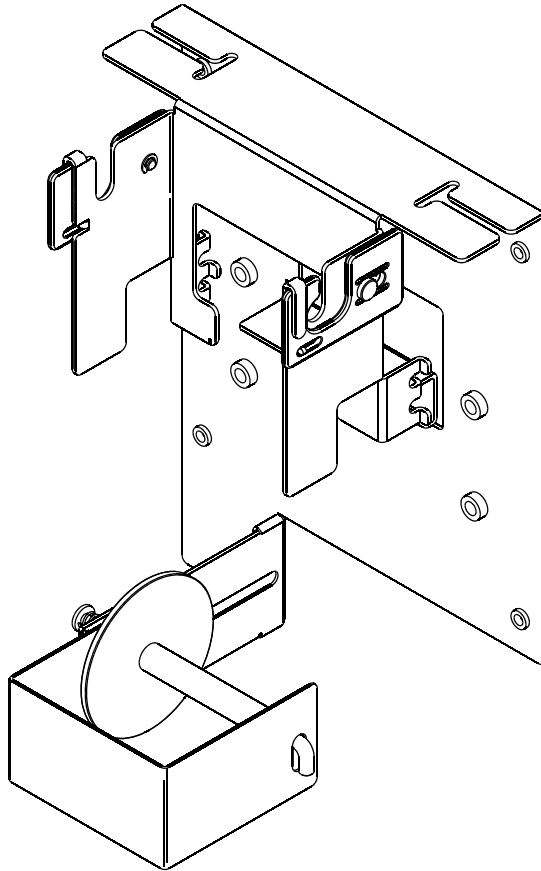
1. Select a suitable location for the mount on your vehicle.
2. Center the clamping plate on two of your vehicle's overhead rails.
3. Align the four inside nuts in the vehicle mount with the holes in the clamping plate.
4. Use the four $\frac{1}{4}$ -20x2 $\frac{1}{4}$ screws and flat washers to attach the vehicle mount to your vehicle.



Installing Vertically

No screws or mounting hardware are provided for vertical installation.

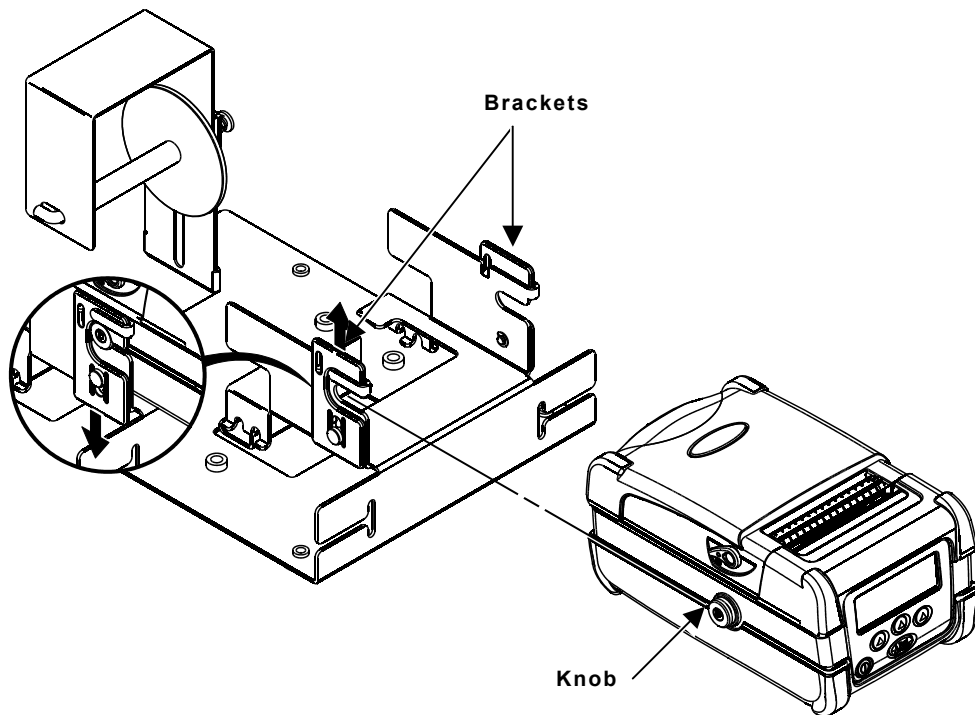
1. Select a suitable location for the mount on your vehicle.
2. Align the nuts in the vehicle mount with the corresponding holes in your vehicle.
3. Use appropriate screws to attach the vehicle mount to your vehicle, or to the appropriate hardware for vertical mounting.



Attaching the Printer

To attach the printer on the vehicle mount:

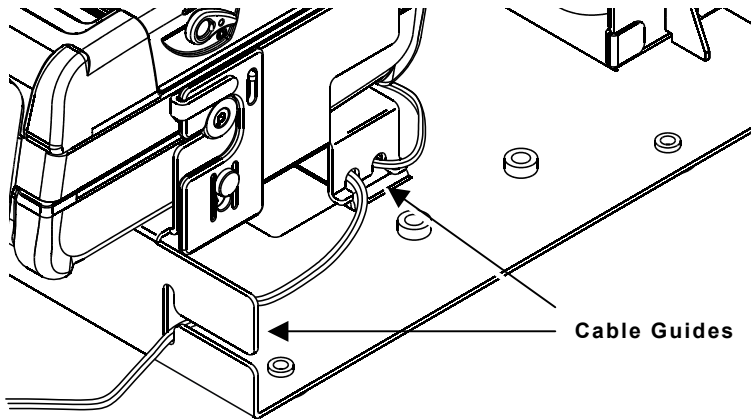
1. Make sure the printer's battery and communication cable are installed.
2. Insert the printer into the brackets of the vehicle mount using the knobs as a guide.
3. Push down firmly on the brackets so the printer locks completely in place.



Securing the Cables

Use the cable guides located on the inside and front of the vehicle mount to secure any cables.

1. Attach the printer to the vehicle mount.
2. Thread the cable through the first opening and out the second opening of the cable guide on the inside of the mount, then through the cable guide in the front of the mount.

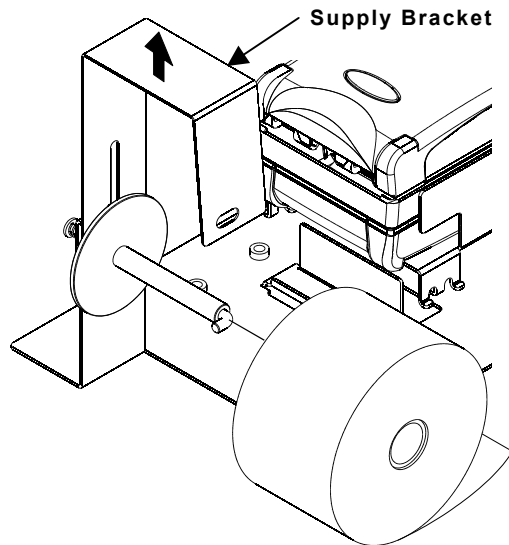
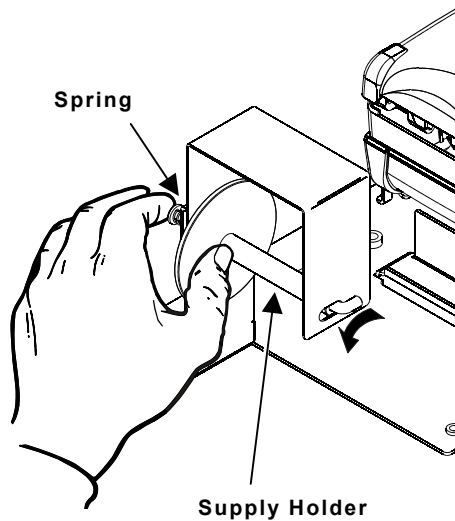


3. Connect the cable to the printer.

Loading Supplies

To load supplies into the printer:

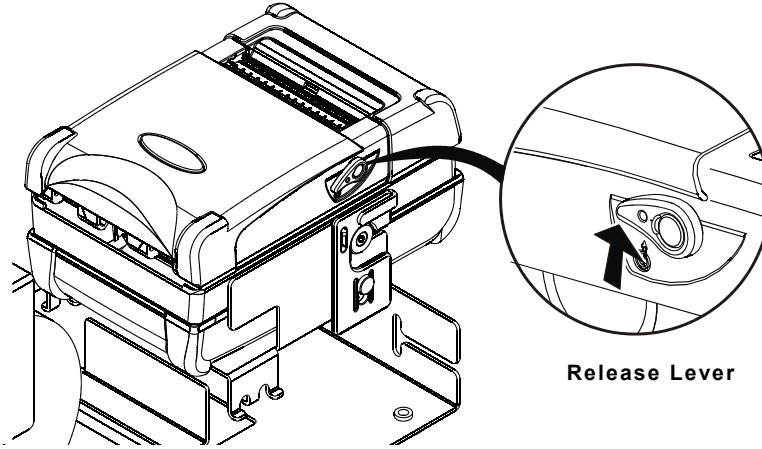
1. Turn off the printer.
2. Attach the printer to the vehicle mount.
3. Squeeze the supply bracket and the spring-loaded supply holder. Pull the hook end of the supply holder and turn it to the left to release the supply bracket. Pull the bracket up.



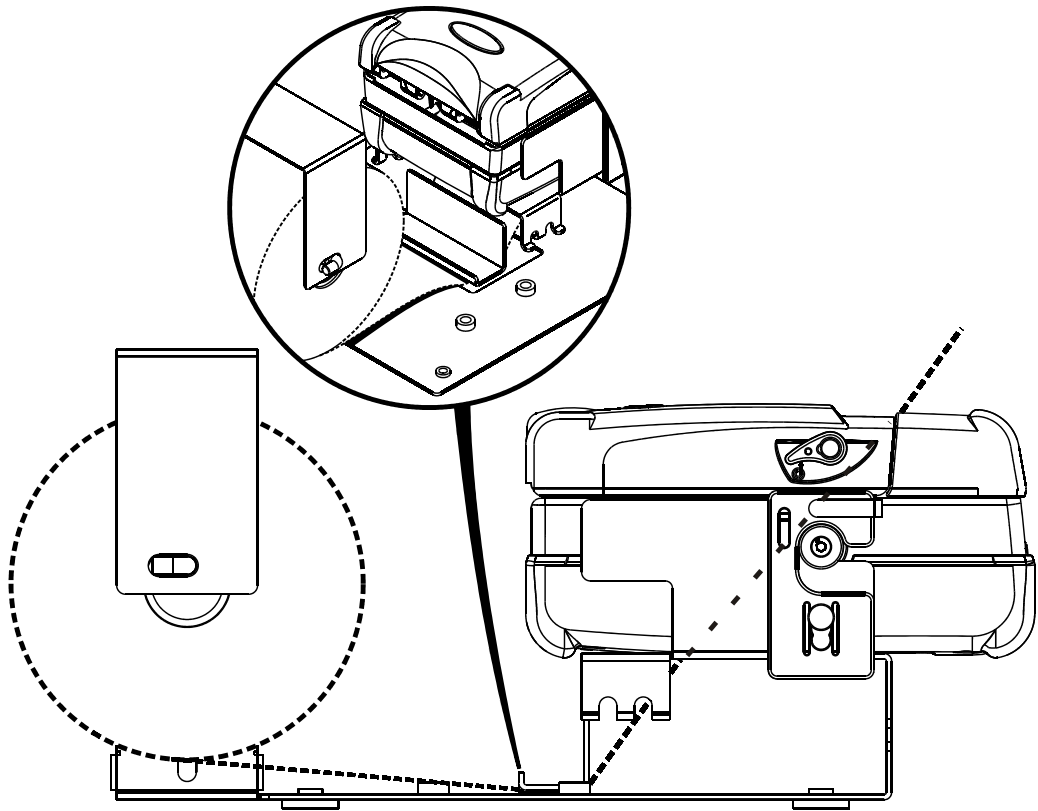
Note: The supply holder cannot be removed.


4. Load the supply so it unrolls from the bottom.
5. Lower the bracket so the supply turns freely, then squeeze the supply bracket and pull and turn the supply holder to the right to lock the supply roll in place.

6. Pull the release levers located on both sides of the printer to open the supply door.



7. Insert an empty 3-inch core in between the supply holder tabs to open them to their widest position.
8. Slide the supply guides, located inside the printer on each side of the external supply slot, out to their widest position.
9. Feed the supply under the opening in the mounting plate and into the supply slot on the bottom of the printer.



10. Center-adjust the supply guides so that they barely touch the edge of the supply.
11. Pull out enough supply to lay across the exit chute.
12. Close the supply door until the release levers click into place.
13. Turn on the printer.
14. Press  to advance the supply.

Refer to your *Operator's Handbook* for information on printing with your Monarch® 9433™ printer.