

# Welcome to the Printer

The printer is available in two models, basic and extended feature. The extended feature model includes two printheads, WiFi, an HDMI port, and two USB-A ports. The basic model includes a single printer (left printer only) with one USB-A port. To learn more about the printer's ports, review [Printer Overview](#).

Review [Loading the Left Printer](#) and [Loading the Right Printer](#) to load supplies in your printer.

Review the Printer Maintenance topics to properly care for your printer.

- [Cleaning the Display](#)
- [Cleaning the Platen Roller and Printhead](#)
- [Cleaning the Printer](#)
- [Clearing Label Jams](#)

To learn more about your printer and supplies review [System Specifications](#) and [Supply Specifications](#).

## Legal Notices

Each product and program carries a respective written warranty, the only warranty on which the customer can rely. Avery Dennison reserves the right to make changes in the product, the programs, and their availability at any time and without notice. Although Avery Dennison has made every effort to provide complete and accurate information in this manual, Avery Dennison shall not be liable for any omissions or inaccuracies. Any update will be incorporated in a later edition of this manual.

©2019 Avery Dennison Corporation. All rights reserved. No part of this publication may be reproduced, transmitted, stored in a retrieval system, or translated into any language in any form by any means, without the prior written permission of Avery Dennison.

## Trademarks

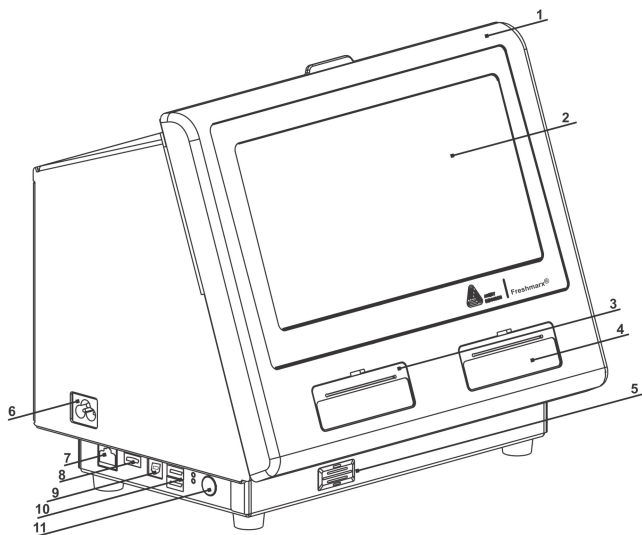
Avery Dennison® is a registered trademark of Avery Dennison Corporation.

TC94180HHLP\_AC (4/20)

# Table of Contents

Printer Overview .....	3
Loading the Left Printer .....	4
Loading the Right Printer .....	6
Clearing Label Jams .....	8
Cleaning the Printer .....	9
Cleaning the Platen Roller ' Printhead .....	10
System Specifications .....	11
Supply Specifications .....	12

# Printer Overview



1.	Cover	7.	Ethernet Port
2.	Display	8.	HDMI Port*
3.	Left Printer	9.	USB (Type B) Port
4.	Right Printer	10.	USB (Type A) Port
5.	Speaker	11.	Power Button
6.	Power Cord Connection		

\* To display the printer's screen on a TV/Monitor, plug an HDMI cable (not included) into your printer and TV/Monitor. Connecting the printer using HDMI disables the printer's speaker.

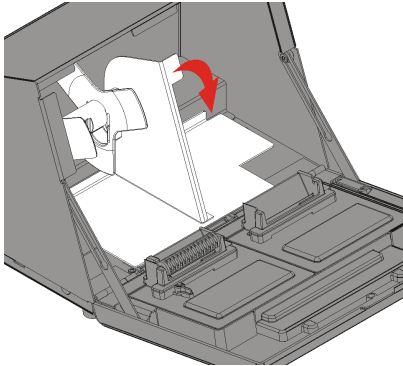
## See also

[Welcome to the Printer](#)

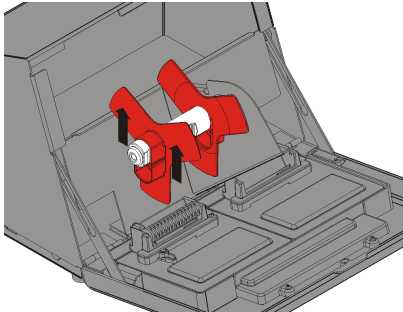
[System Specifications](#)

# Loading the Left Printer

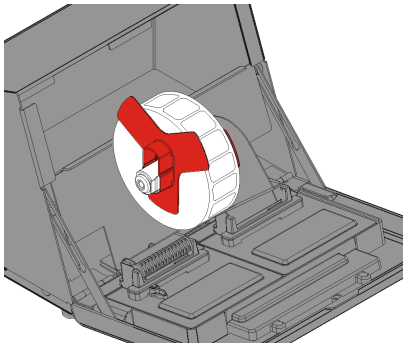
1. Turn on the printer (press the power button on the left side of the printer).
2. Open the cover.
3. Pull on the supply tab.



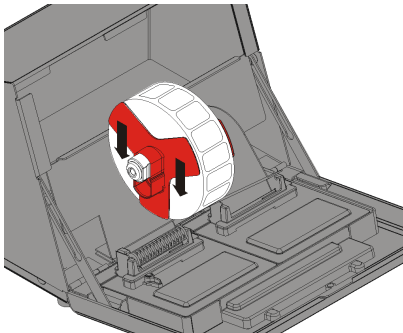
4. Unlock the supply guide.



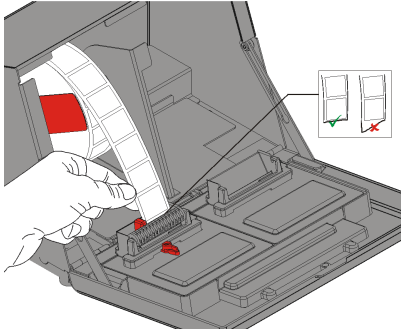
5. Remove the supply guide from the supply holder.
6. Place a roll of labels (label side up) on the supply holder.
7. Place the supply guide on the supply holder until it touches the supply.



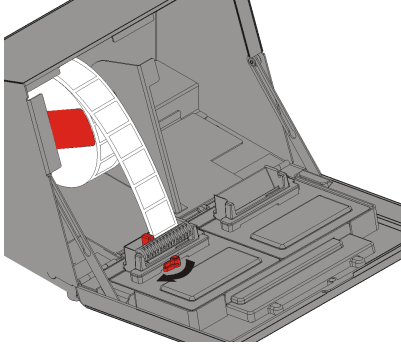
8. Lock the supply guide.



9. Put the supply tab back.
10. Tear a straight edge on the supply before feeding it into the printer.
11. Guide the labels along the inside edge and into the slot (behind the white roller). The printer feeds the supply.



12. Slide the supply lever next to the supply.
13. Close the supply lever.



14. Close the cover.

⚠ When using continuous supplies, tear in a downward direction (not upward) to remove the printed label.

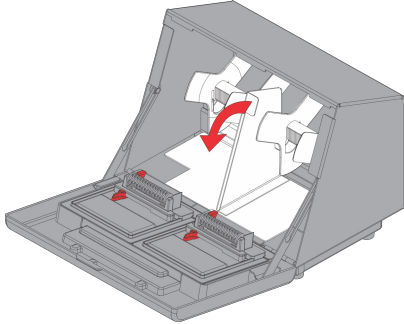
See also

[Printer Overview](#)

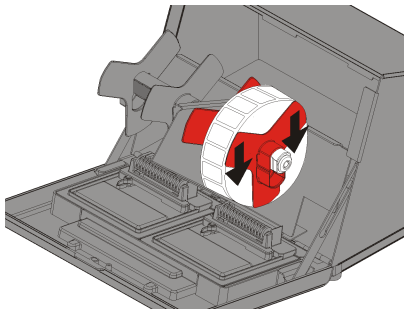
[Loading the Right Printer](#)

# Loading the Right Printer

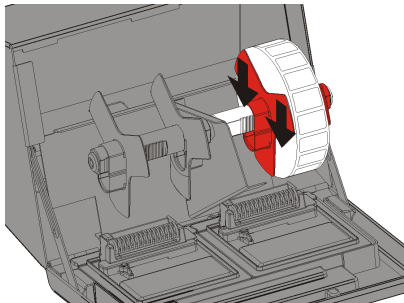
1. Turn on the printer (press the power button on the left side of the printer).
2. Open the cover.
3. Pull on the supply tab.



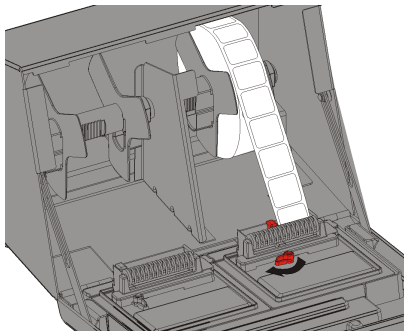
4. Unlock the outer supply guide and remove it.
5. Place a roll of labels (label side up) on the supply holder.
6. Place the outer supply guide on the supply holder and lock it in place.



7. Unlock the inner supply guide and move it until it touches the supply. Lock it into place.



8. Put the supply tab back.
9. Guide the labels along the outside edge and into the slot. The printer feeds the supply.
10. Tear a straight edge on the supply before feeding it into the printer.
11. Slide the supply lever next to the supply and close it.



12. Close the cover.

👉 When using continuous supplies, tear in a downward direction (not upward) to remove the printed label.

**See also**[Printer Overview](#)[Loading the Left Printer](#)

# Clearing Label Jams

To clear a jam:

1. Open the cover.
2. Tear the supply and remove the label roll.
3. Remove the jammed labels. Do not use sharp or pointed objects to remove labels; it may damage the printer.
4. Remove any adhesive from the platen roller. Use a cotton swab moistened with isopropyl alcohol to clean the adhesive.
5. Reload the labels. Close the cover.

## See also

[Cleaning the Platen Roller and Printhead](#)

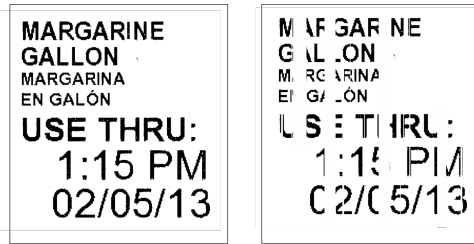


# Cleaning the Printer

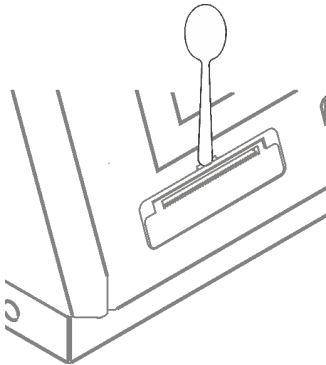
- Slightly dampen a cloth with water and wipe off the printer's case.
- Open the cover and use a dry, soft-bristled brush to remove paper dust.
- Do not use household cleaners to clean the printer.

# Cleaning the Platen Roller & Printhead

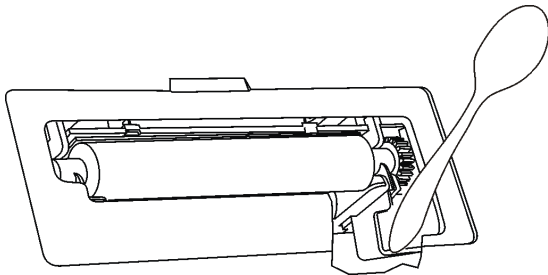
Clean the platen roller and printhead after every five rolls of labels or when you see voids in the print.



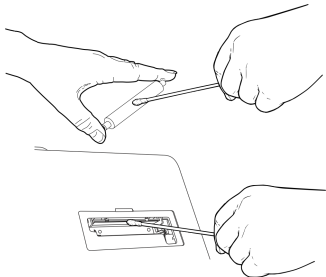
1. Remove any labels.
2. Use a plastic utensil to remove the supply slot cover.



3. Use the plastic utensil to press the L-shaped bar. The platen roller is released. You may need to slightly open the front cover to eject the platen roller.



4. Clean the platen roller and printhead using a cotton swab moistened with isopropyl alcohol.



5. Allow time for the parts to dry.
6. Replace the platen roller. Snap the cover into place.
7. Reload the labels. See [Loading the Left Printer](#) or [Loading the Right Printer](#) for more information.

# System Specifications

<b>Height</b>	10.92" (277.37 mm)
<b>Width:</b>	11.86" (301.41 mm)
<b>Depth:</b>	8.41" (213.61 mm)
<b>Weight:</b>	13.6 lbs (6.2 kg), without supply, single printer 14.2 lbs (6.4 kg), without supply, dual printer
<b>Shipping Weight:</b>	15.9 lbs (7.2 kg), without supply, single printer 16.4 lbs (7.4 kg), without supply, dual printer
<b>Power:</b>	100-240V AC, 47 to 63Hz input supplies 24V DC, 90W to system
<b>Operating Limits:</b>	Operating: 32to 122 F (0 to 50 C) Storage: -4to 149 F (-20 to 65 C)
<b>Relative Humidity:</b>	0% - 90% non-condensing
<b>Printhead:</b>	203 dpi (8.0 dots per mm)
<b>Printing Method:</b>	Thermal Direct
<b>Display:</b>	10" (254 mm) Capacitive Touch Screen
<b>Memory:</b>	16 GB eMMC Flash; 2 GB RAM

## See also

[Printer Overview](#)

[Supply Specifications](#)

# Supply Specifications

<b>Supply Length:</b>	<b><i>Minimum</i></b>	<b><i>Maximum</i></b>
	0.79" (20mm)	10.0" (254mm)
<b>Supply Width:</b>	<b><i>Minimum</i></b>	<b><i>Maximum</i></b>
	0.75" (19mm)	2.3" (58mm)

## See also

[Printer Overview](#)

[System Specifications](#)

## Cleaning the Display

- Make sure the printer is turned off when cleaning the display.
- Use a soft, lint-free cloth to wipe the display.
- **Do not** use sharp objects or abrasive cleaners on the display; they can cause damage.

# Glossary