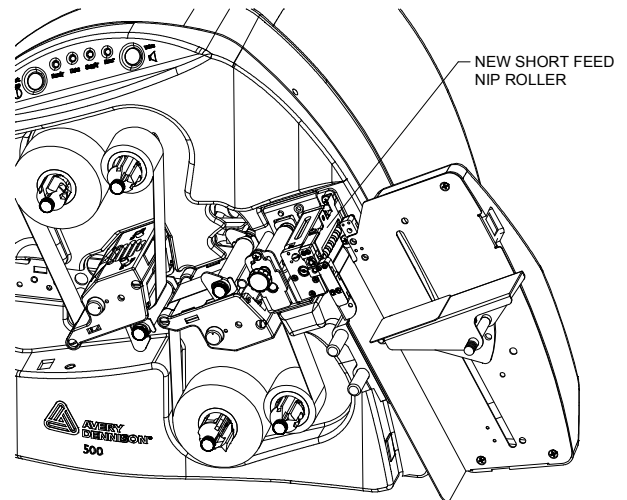




Snap™ 500 Short Feed

Addendum



AVERY DENNISON

Manual Edition 1.2

06 December 2010

Manual Part Number 581396

This page intentionally blank

Contents

- Scope** **4**
 - Introduction..... 4
- Warranty Information** **5**
 - Warranty Policy 5
 - Service 6
- Description / Specifications** **7**
 - Short Feed Description 7
 - Short Feed Specifications 7
- Field Installing the Short Feed** **8**
 - Remove Standard Feed Nip Assembly..... 8
 - Reconfigure Gear Set..... 10
 - Install Short Feed Nip Assembly 11
 - Installing the Stacker Plate..... 13
 - Belt Replacement..... 14
- Trouble Shooting** **19**

- Assembly Drawings** **21**
 - Nip Drive 22
 - Short Feed Nip 23
 - Short Feed Nip Parts List..... 24

Scope

Introduction

This user manual is designed to be used in conjunction with the AVERY DENNISON Model Snap 500 Manual. This manual is shipped to inform the machine operator of the installation and the differences / additions from the Snap 500 with the Short feed option and the regular Snap 500, 1 over 0 Printer.

WARNING!

Before servicing the SNAP 500 or installing this Short Feed Kit, turn off the power to the machine and unplug the power cord.

1. Turn off power at the end of a batch so as Not to lose downloaded data.



2. Unplug all peripherals such as stacker, remote Display , verifier, etc.

Remove the stock and ink.

Remove the back cover of the printer.



Warranty Information

Warranty Policy

Avery Dennison Retail Information Systems, In-Plant Printing Solutions provides the following warranty policy.

Scope

Warranties against defects from workmanship for equipment and parts manufactured and sold from Sayre, PA. Includes time and material except as otherwise noted below.

Time

- New equipment and parts: 6 months
- Refurbished equipment and parts: 90 days
- Warranty period starts when equipment ships from selling location.

General Conditions

Avery Dennison extends warranty coverage under the following conditions.

- Equipment and parts will perform within published specifications. Promised or implied statements by any Avery Dennison employee or representative will not be deemed to vary the terms of the warranty.
- Equipment and parts must be installed and operated according to recommended procedures and operating conditions.
- Consumable elements are not covered. Consumable elements are those that show normal wear from typical equipment usage including, without limitation, printheads, knives, rollers in contact with the web, and sonic units. Avery Dennison reserves the right to determine which elements are defined as “consumable.”
- No customer maintenance may be performed except as directed by qualified Avery Dennison personnel.
- Equipment and parts damaged by negligence or abuse are not covered.
- Avery Dennison US reserves the right in its sole discretion to incorporate any modifications or improvements in the machine system and machine specifications which it considers necessary but does not assume any obligation to make said changes in equipment previously sold.

Equipment Purchased In US and Shipped In US

- Avery Dennison US covers warranty for equipment and parts installed and operated in the Americas (United States, Canada, Mexico, Central America, Caribbean Region, and South America excluding Brazil).
- Outside the US, the local Avery Dennison office is responsible for equipment and parts warranty. Customers must ensure coverage during machine purchase.

- Equipment purchased and exported to regions outside local Avery Dennison office coverage are not covered by warranty. The purchasing agent must acquire a service contract from the Avery Dennison office where the equipment or parts are operated to ensure machine coverage. For example, if an agent purchases a printer in the US, exports to Brazil, and then needs warranty coverage, Avery Dennison Brazil has no obligation to provide warranty coverage. The agent must purchase services from Avery Dennison Brazil.

THE WARRANTIES PROVIDED HEREIN ARE EXCLUSIVE AND ARE IN LIEU OF ANY IMPLIED WARRANTY OF MERCHANTABILITY, FITNESS FOR A PARTICULAR PURPOSE OR OTHER WARRANTY OF QUALITY OR PERFORMANCE, WHETHER EXPRESS OR IMPLIED. EXCEPT THE WARRANTY OF TITLE, IN NO EVENT SHALL AVERY DENNISON BE LIABLE FOR ANY INDIRECT, INCIDENTAL OR CONSEQUENTIAL DAMAGES, EVEN IF AVERY DENNISON HAS BEEN ADVISED OF THE POSSIBILITY OF SUCH DAMAGES.

Service

When ordering machines and supplies in the U.S.A., reference all correspondence to the address below.

EVERY DENNISON Corporation

One Wilcox Street

Sayre, PA 18840

Call: 1-800-967-2927 or (570) 888-6641

Fax: (570) 888-5230

For spare parts, requests for service or technical support, contact

EVERY DENNISON Corporation

One Wilcox Street

Sayre, PA 18840

Call: 1-800-967-2927 or (570) 888-6641

Fax: (570) 888-5230

For parts and service in other countries, please contact your local AVERY DENNISON supplier.

Description / Specifications

Short Feed Description

“O” ring driven, spring fed, quad roller system for transporting labels, including short labels (down to .66” long) from feed mechanism to stacker.

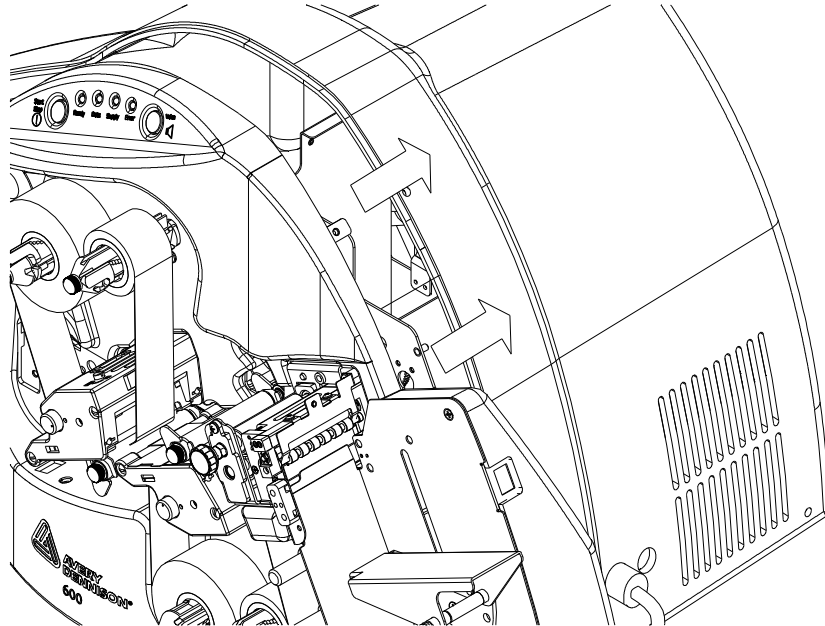
Short Feed Specifications

Label Size	<p>Min: 1/2" (12.7mm) web x .66 (17mm) feed at 3 IPS and 4.5 IPS (standard stacker)</p> <p>Min: 1/2" (12.7mm) web x .66 (17mm) feed at 6 IPS (standard stacker)</p> <p>Min: 1/2" (12.7mm) web x 1" (30.5mm) feed at 7 IPS (standard stacker)</p> <p>Max: 2 1/4" (57.2mm) web x 5" (127mm) feed (standard stacker) 5:1 web feed to width ratio (optional 8" tray)</p> <p>2 1/4" (57.2mm) web x 14" (355.6mm) feed No stacker - optional rewind unit or cut without stacking</p>
Web Justification	Center
Stock	Support for fabric
Dimensions	.50" (12.7 mm) wide x 4.38" (111.25 mm) deep x 2.13" (54.10 mm) high
Weight	Short Feed Nip and Gear Set 8 oz (226.8 g)
Electrical	N/A
Temperature	N/A
Humidity	N/A
Options	

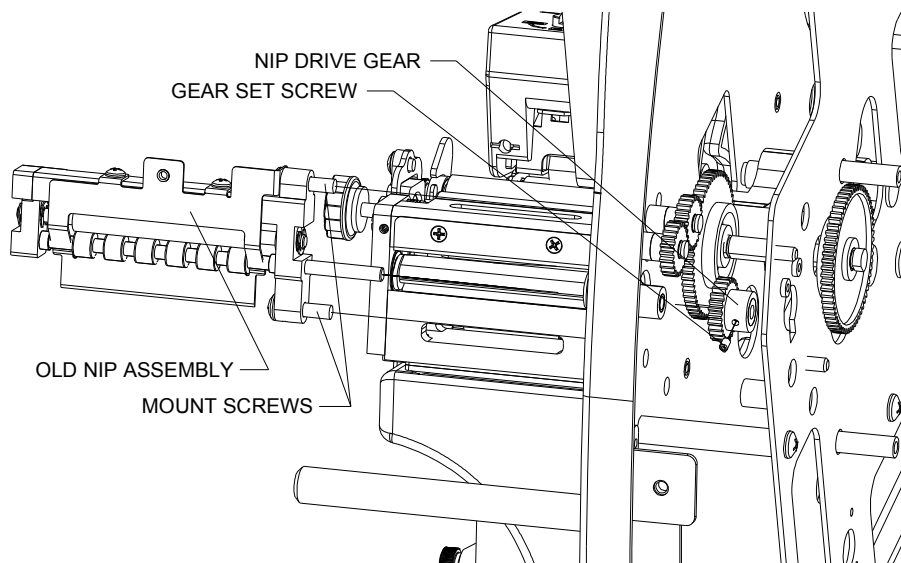
Field Installing the Short Feed

Remove Standard Feed Nip Assembly

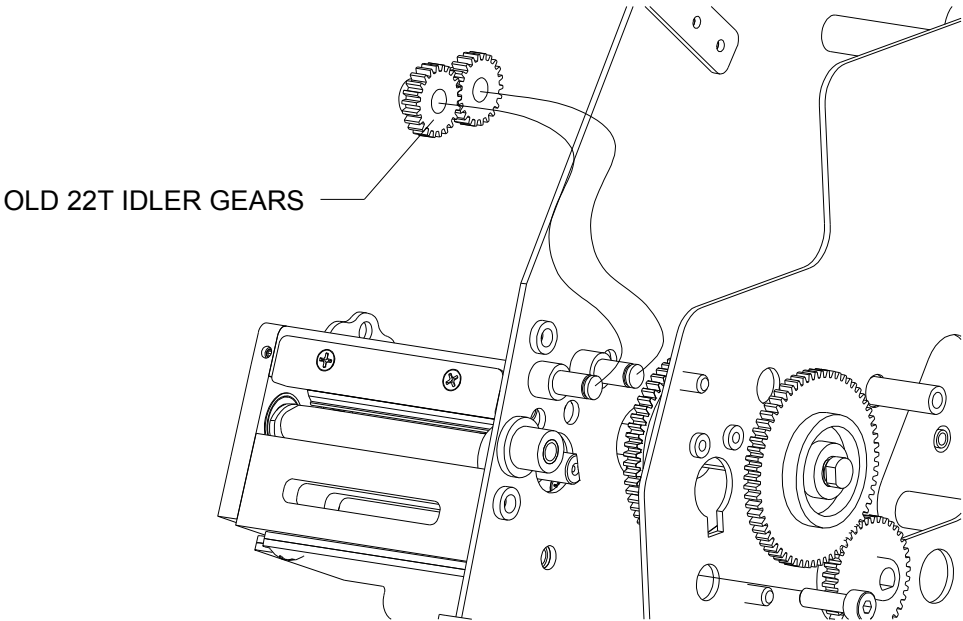
1. Remove stacker, unplug and set aside. Remove back cover. You will need access to the nip roller drive gears and feed drive gears.



2. Remove old nip assembly by first loosening set screw on old nip drive gear and removing. Loosen mount screws and pull old nip assembly out from front of machine.

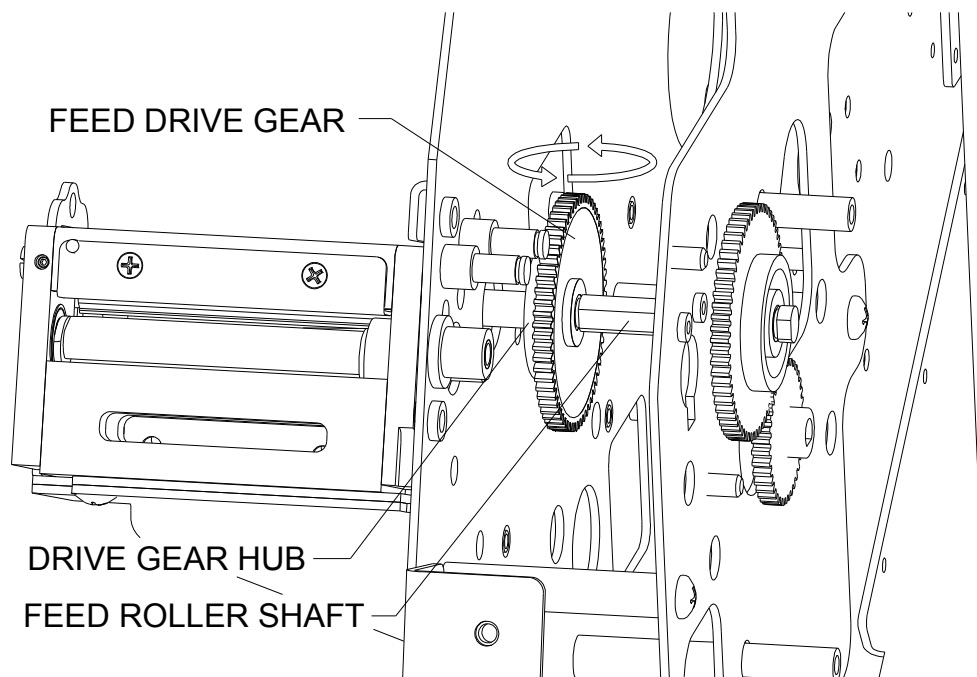


3. Remove old 22T idler gears from old nip drive chain and discard.



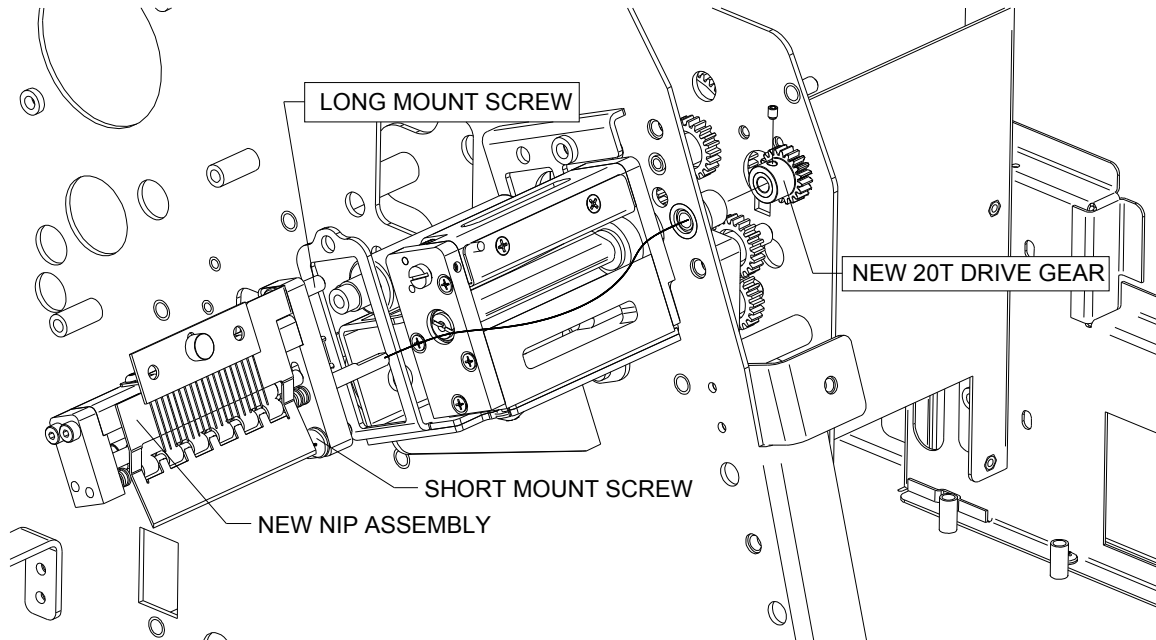
Reconfigure Gear Set

1. Flip inside feed drive gear around so that the drive gear hub is facing the front of the machine. (before this retrofit, the hub will normally be facing the back of the machine). The feed roller shaft must be pulled toward the front of the machine approximately 3" to flip the drive gear.

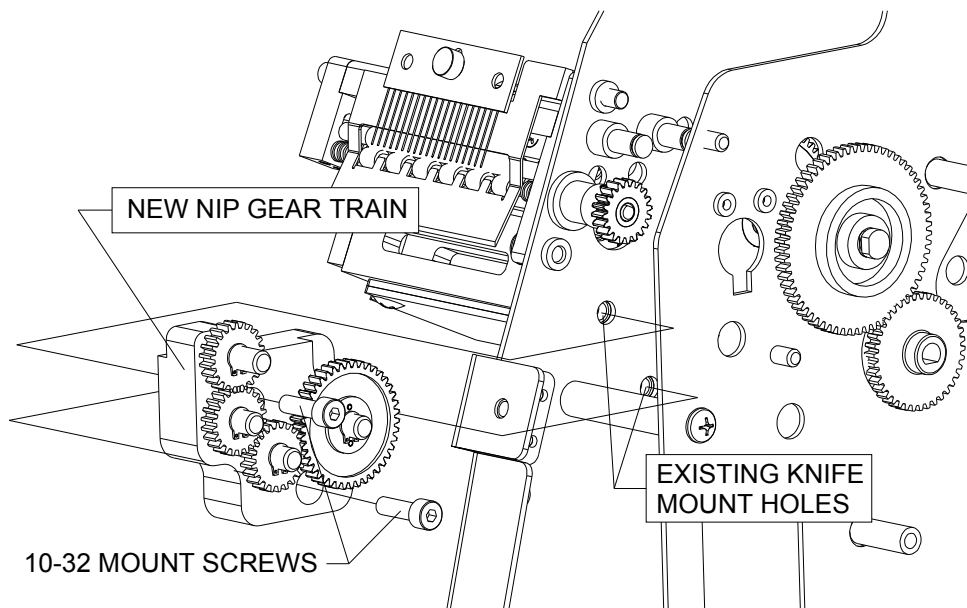


Install Short Feed Nip Assembly

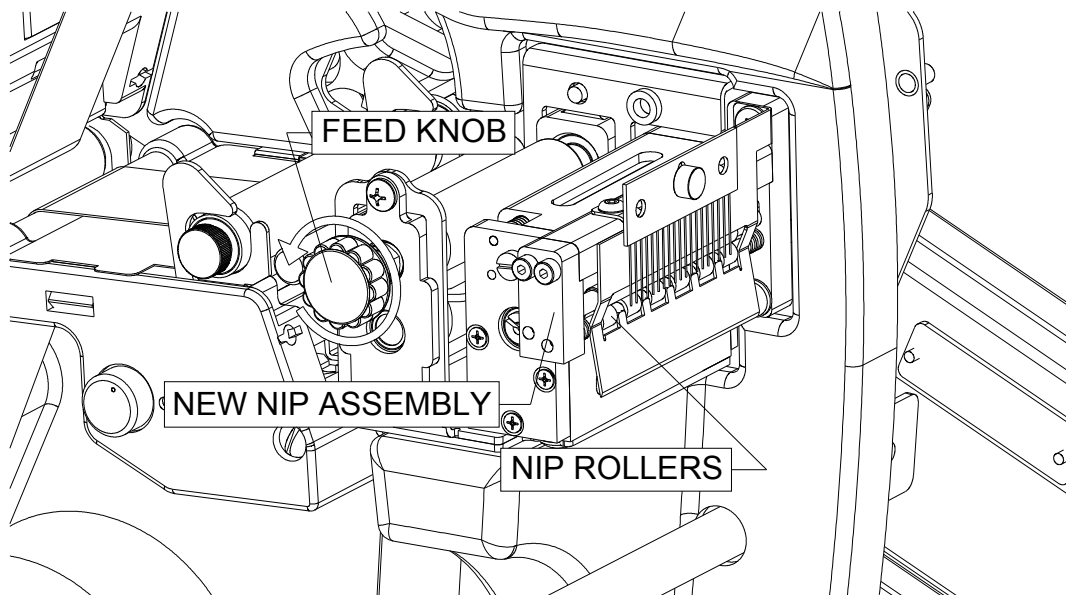
1. Install new nip assembly and secure with new, provided mount screws. Make sure short mount screw is installed on the bottom of the assembly. This is to clear the new nip gear drive train. Install new 20T nip drive gear.



2. Install new nip gear drive train as shown below using the (2) kit provided 10-32 mount screws. Use existing knife mount holes in frame to mount gear chain.

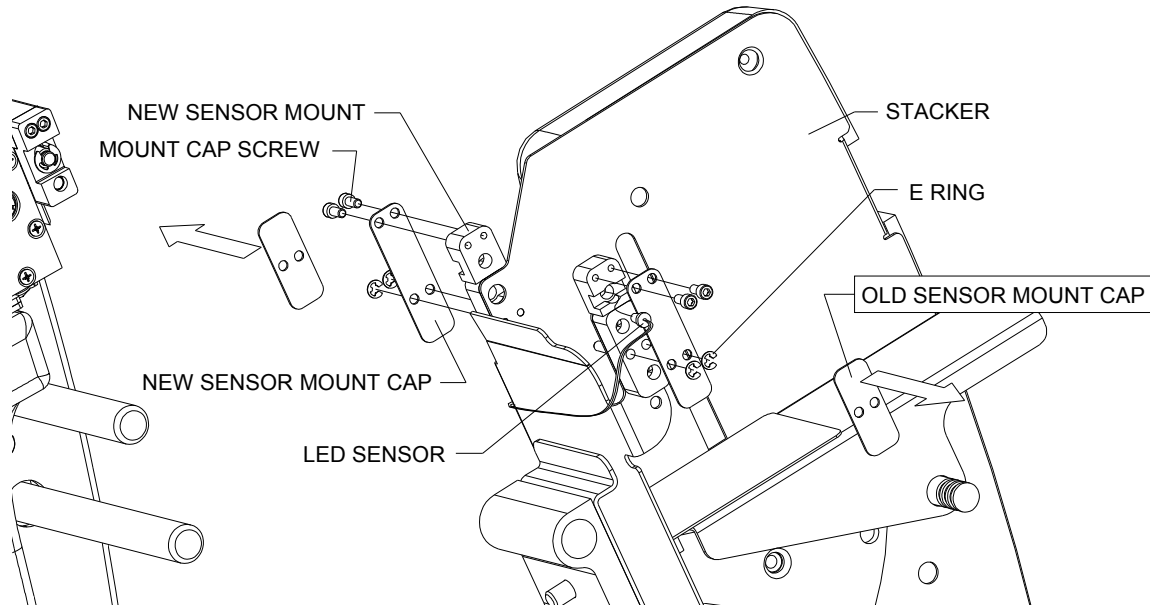


3. Test that feed knob turns freely by hand. Check that all steps have been done correctly. Check that all nip rollers turn freely when feed knob is rotated. If a bind detected, adjust gear train mounting screws (shown in previous step).

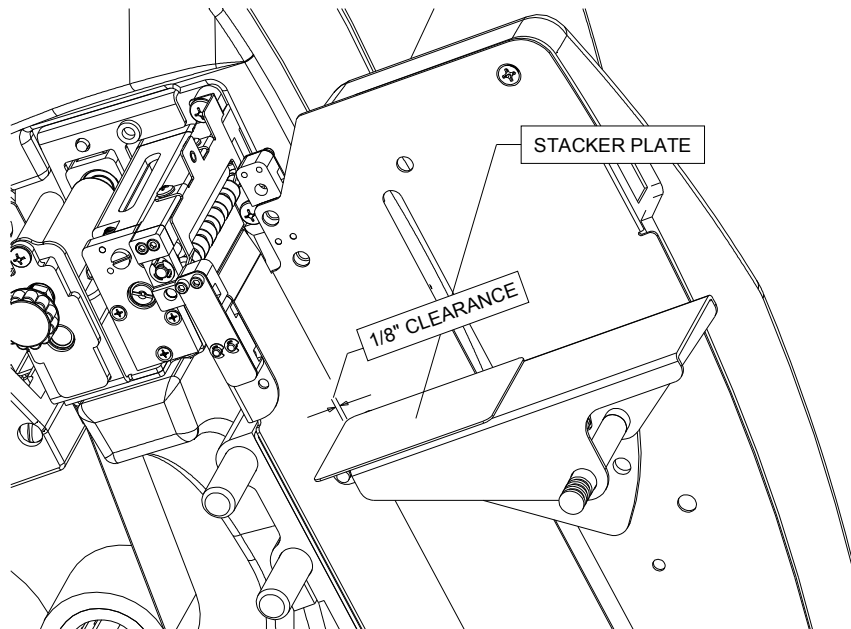


Installing the Stacker Plate

1 Install new stacker sensor mounts as show below. Remove and discard old sensor mount caps, press LED's into new mounts and install new mount caps and LED sensor holders, retaining all with provided E rings.

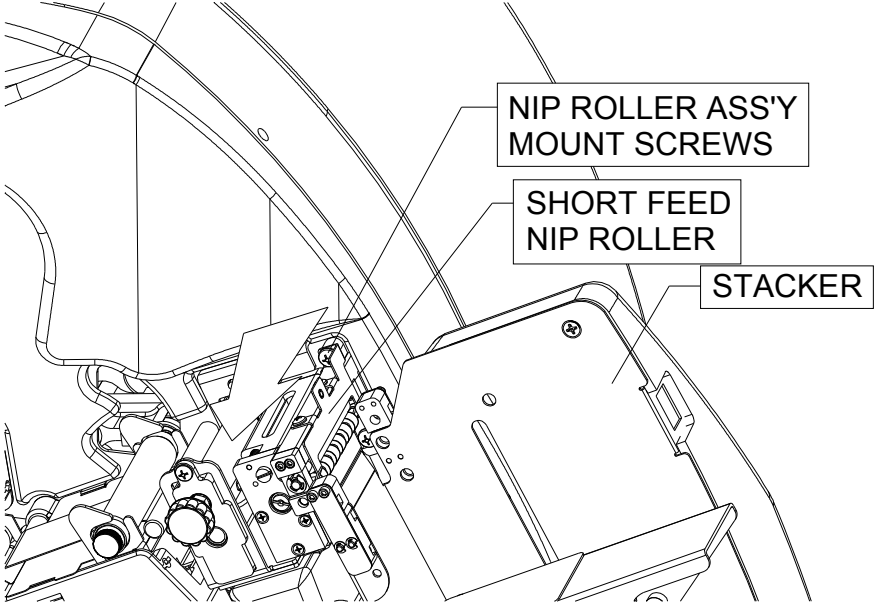


2. Replace back cover. Replace stacker and plug stacker cord back into the machine. Add stacker plate by peeling off plate adhesive and applying to stacker tray as shown below. Turn machine back on and run.

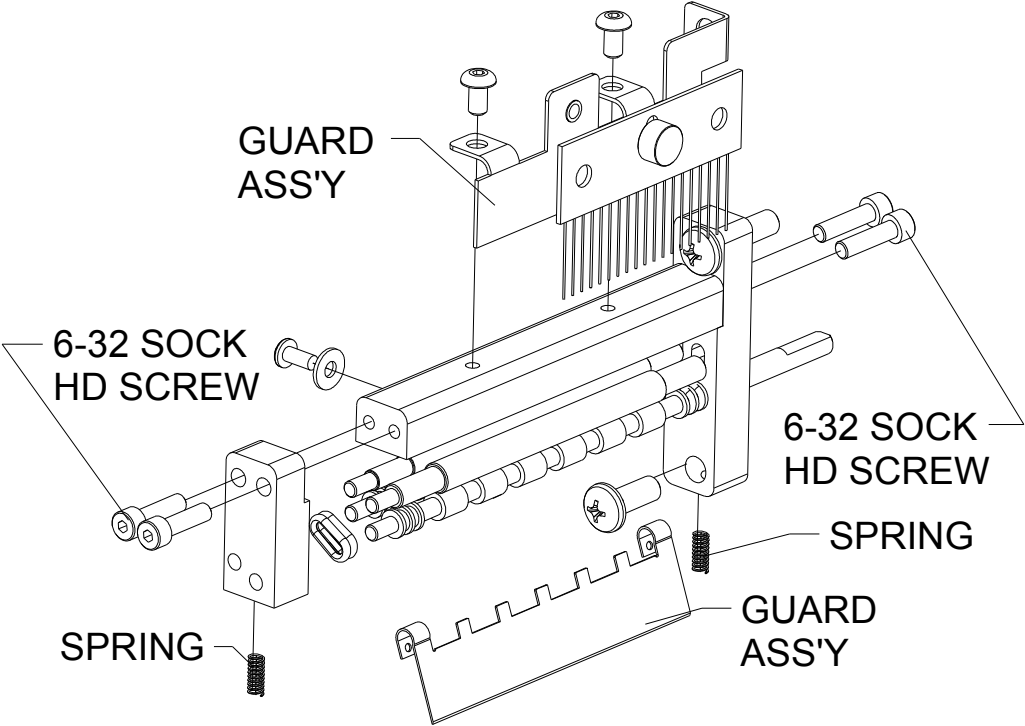


Belt Replacement

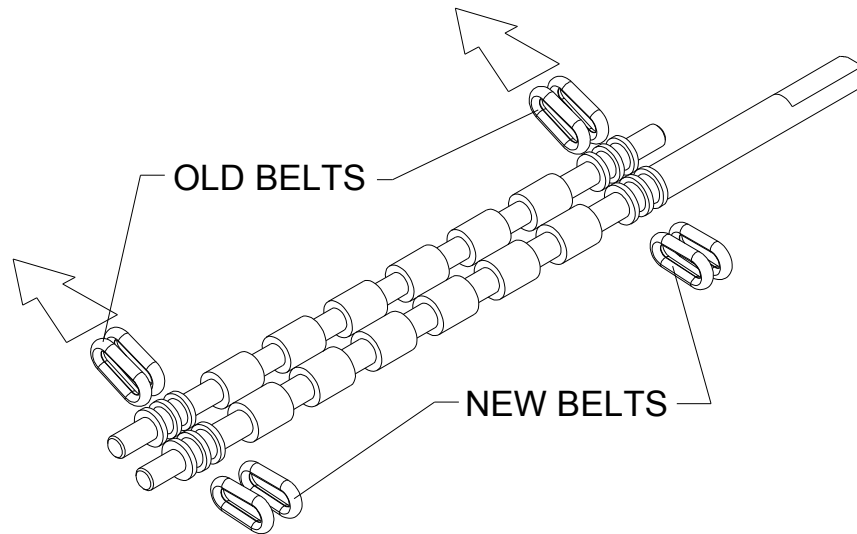
1. Make sure to unplug the stacker, and remove it. Remove short feed nip assembly from machine by loosening the (2) 10-32 round head, mount screws and loosening 20T drive gear (inside back cover – from step 1 page 17).



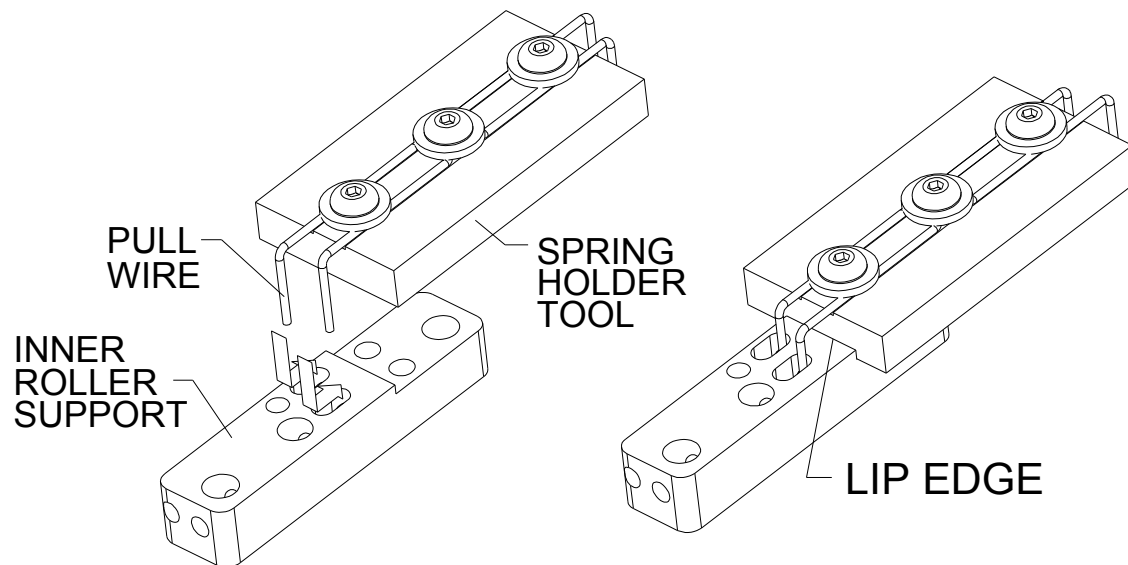
2. Dis-assemble the short feed nip assembly. Remove the (2) 6-32 SHCS from each roller bracket end, and remove the (4) rollers. Note: It is not necessary to dis-assemble the guard assembly or remove the springs. (shown for location and orientation).



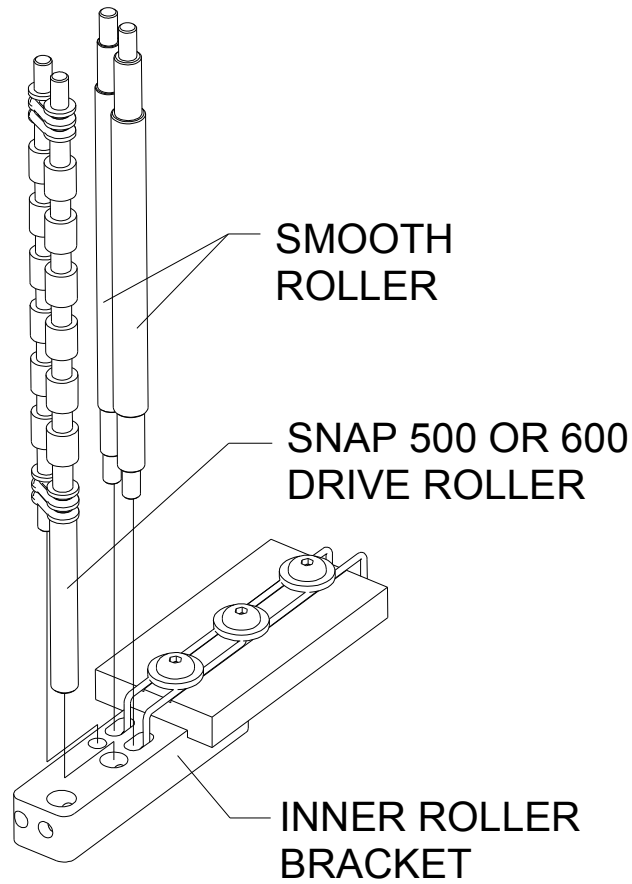
3. Set the smooth rollers aside. Remove the old O ring belts from the two knurled rollers. Replace with new O ring belts.



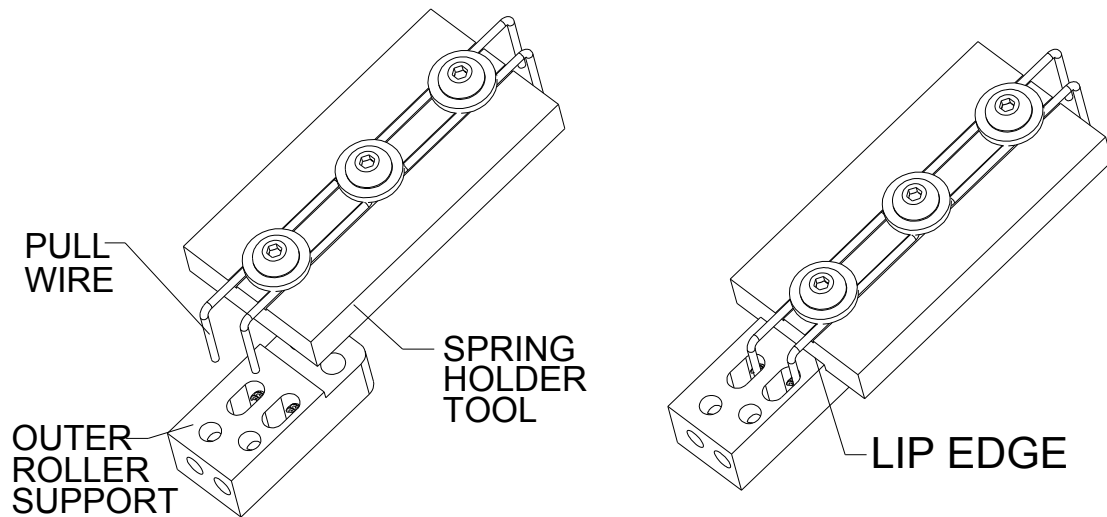
4. You are now ready for re-assembly. However, the roller springs (shown in step 2) must first be compressed before the smooth rollers can be assembled. Using the spring holder tool, insert the pull wires into the smooth roller slots. Compress the springs by sliding the spring holder tool back until the lip edge catches on the lip edge of the roller bracket and locks into place.



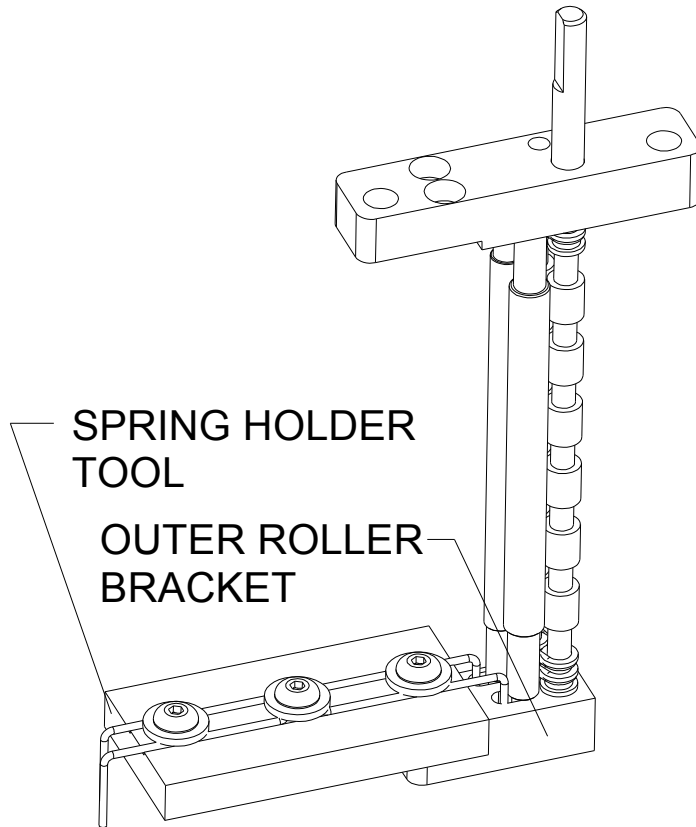
5. Install all (4) rollers into the inner roller bracket. Once all four are seated correctly, remove the spring holder tool.



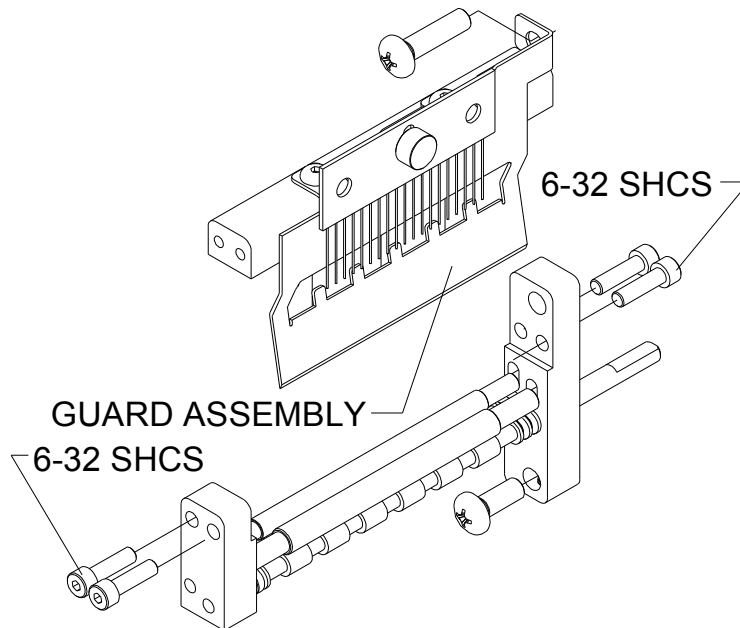
6. Retain the roller springs in the outer roller bracket in the same way as shown in step 4. Make sure spring holder tool is locked into position, via. the lip edge.



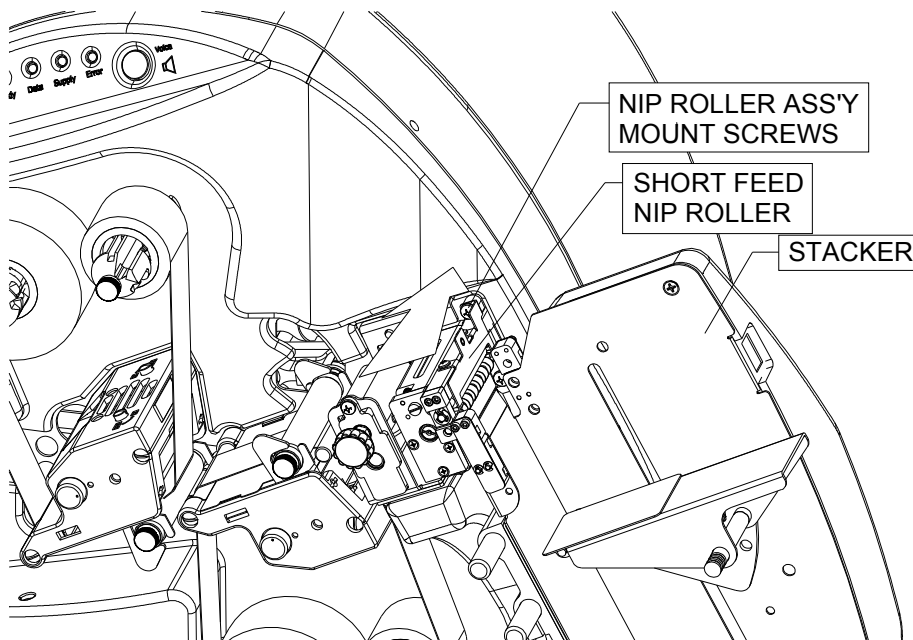
7. Assemble both inner and outer roller brackets with rollers by seating all (4) rollers into the outer roller bracket. Once seated, remove the spring holder tool.



8. Re-assemble short feed nip roller assembly. Make sure inner and outer roller brackets are square with respect to each other (not twisted).



9. Re-attach the nip roller assembly to the machine using the (2) 10-32 round head, mount screws from step 1. Re-attach the 20T drive gear (inside back cover – from step 1 on page 17). Re-attach the stacker. Plug the stacker in and turn the machine on.

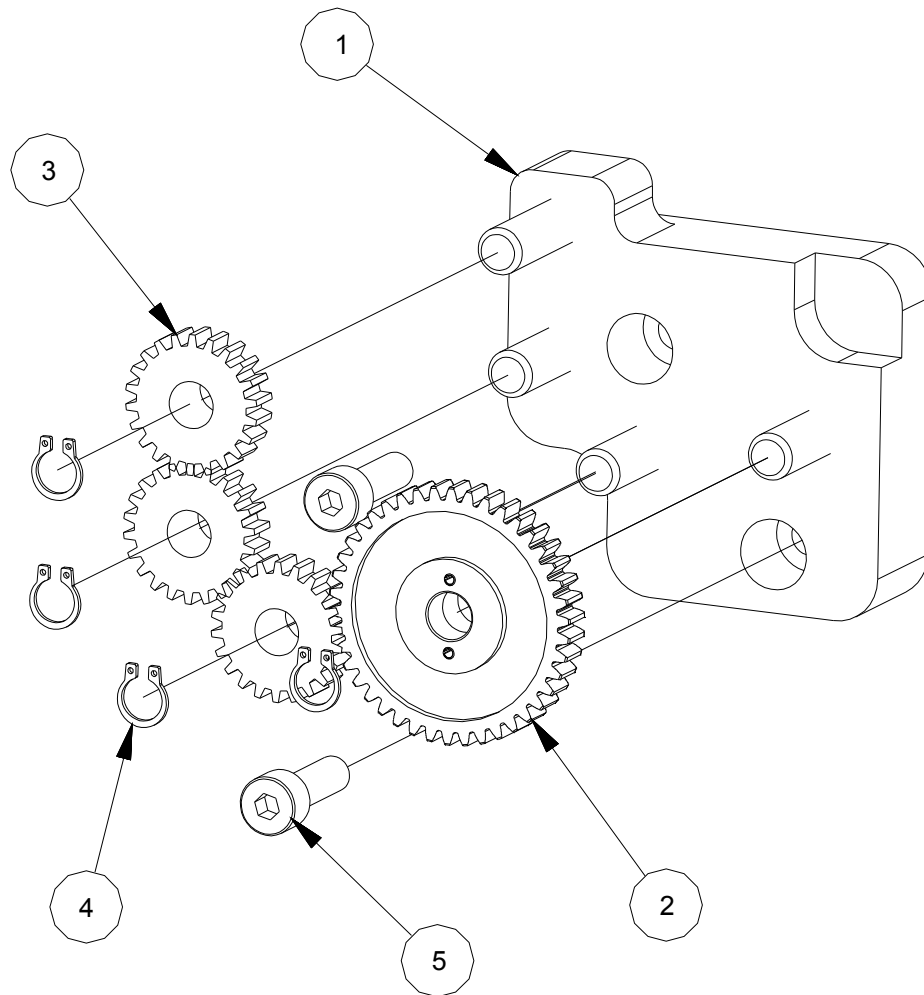


Trouble Shooting

Problem	Probable Cause	Corrective Action
Rollers don't turn freely when feed roller knob is turned	Internal new gear set not mounted with sufficient gear backlash and clearance with feed drive and nip roller drive gears	Remove back cover. Loosen (2) gear set mount screws and adjust accordingly
Rollers don't turn freely when feed roller knob is turned	Nip roller material jam	Check rollers for stray material and if discovered, remove
Lables do not pull away from short feed exit rollers	Worn or broken short feed roller drive belts	Replace cracked, worn or broken "o" ring, short feed drive belts
Lables do not pull away from short feed exit rollers	Stripper blade not mounted correctly	Make sure stripper blade hangs from lower short feed nip roller and allows rollers to turn freely, while stripper conforms to stacker angle
Short labels fall and jam into stacker	Stacker plate mounted too far downstream (back, away from stripper plate)	Adjust stacker plate such that the stacker moves freely up and down while stacker plate is at a minimum distance from stacker wall (aprox 1/8"), (see page 13).

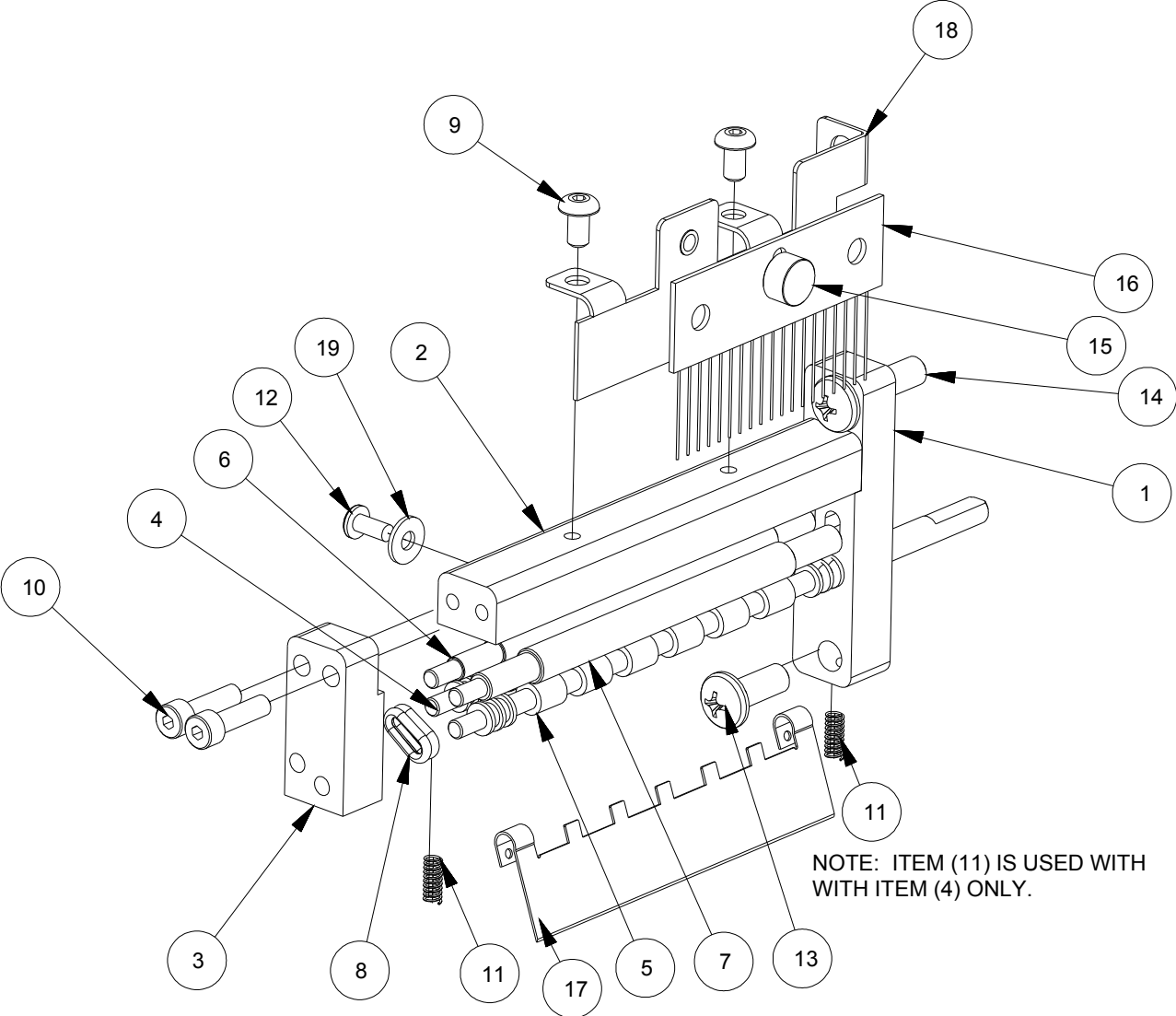
Assembly Drawings

Nip Drive



5	990082	10-32 X 5/8 SOC HD CAP SCR	2
4	990262	SNAP RING, 1/4	4
3	584027	GEAR, IDLER 22T, 32P	3
2	584069	GEAR, 42T/20T COMBO	1
1	584066	PLATE, NIP DRIVE	1
ITEM	PART NO.	DESCRIPTION	QTY

Short Feed Nip



Short Feed Nip Parts List

19	990448	WASHER, .125 X .313 X .031	1
18	587116	BRACKET, STATIC BRUSH	1
17	587115	BRACKET, STRIPPER PLATE	1
16	584034	ELECTRICAL, STATIC BRUSH	1
15	991471	4-40 X 1/4 THUMB SCREW	1
14	991377	10-32 X 3/4 PPH SCREW	1
13	991376	10-32 X 1/2 PPH SCREW	1
12	989983	4-40 X 1/4 PHIL PAN HEAD SCR	1
11	991523	COMPRESSION SPRING	2
10	990017	6-32 X 1/2" SHCS	4
9	990019	6-32 X 1/4 BHCS	2
8	991614	"O" RING, 1/16 X 7/32 X 11/32	4
7	587084	SHAFT, REAR UPPER ROLLER	1
6	587086	SHAFT, FRONT UPPER ROLLER	1
5	587095	SHAFT, REAR LOWER ROLLER	1
4	587096	SHAFT, FRONT LOWER ROLLER	1
3	587097	BKT, OUTER ROLLER SUPPORT	1
2	587099	PLATE, OFFSET	1
1	587098	BKT, INNER ROLLER SUPPORT	1
ITEM	PART NO.	DESCRIPTION	QTY